

Model 4000 RP Reduced Pressure Principle 4" to 10"



FEATURES

- Fusion bonded epoxy lined and coated
- Stainless steel internal parts
- One piece body design
- Easy in-line maintenance and serviceability
- Provided maximum protection against backpressure and backsiphonage
- Maximum flow at low head loss
- Available with UL listed OSY or NRS gate valves
- Heavy duty steel body design
- Air gap drain available
- Lighter weight than cast iron or ductile iron assemblies

MODELS

Suffix:

- OSY – UL/FM outside stem and yoke resilient seated gate valves
- NRS – non-rising stem resilient seated gate valves
- LG – less shutoff valves

MATERIALS

- Body: ASTM A36 steel
- All internal working parts: 300 Series stainless steel
- Removable Seat: bronze ASTM B63-82

APPROVALS

Flange bolt pattern and hole diameter in accordance with ANSI B16.5 Class 125/AWWA C207 Class D

Model	Size	A	B	C	E
4000 RP	4	45 1/2	27 1/2	237/16	9 1/2
4000 RP	6	58 7/8	37 7/8	25 1/2	10 1/2
4000 RP	8	68 3/4	45 3/4	27	14
4000 RP	10	71 3/4	45 3/4	27	15

Model	Size	F	G	Net Weight	
				with gates	w/o gates
4000 RP	4	13 3/8	18	288	148
4000 RP	6	16 3/4	20	465	205
4000 RP	8	20 3/16	22 1/2	779	369
4000 RP	10	24 1/8	25	1059	409

Series 4000RP Reduced Pressure Zone Assemblies provide protection to the potable water system from backpressure and backsiphonage in health hazard applications. The one piece assembly consists of two independently operating, spring loaded check valves with a hydraulically operated differential pressure relief valve connected between the check valves. When normal flow exists, both check valves are open and the pressure zone is lower than the inlet pressure. The differential pressure relief valve is held closed by this lower pressure during normal flow. If cessation of normal flow occurs, the differential pressure relief valve may automatically open and discharge to maintain the lower zone pressure. This action will prevent a backpressure or backsiphonage condition. After the required differential is established, the differential pressure relief valve again closes. Every 4000RP is functionally and hydrostatically tested to twice the rated operating pressure.

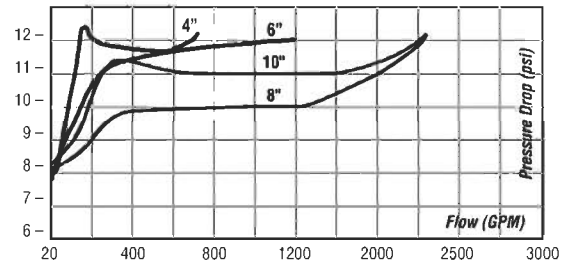
SPECIFICATIONS

A Reduced Pressure Zone Assembly shall be installed on the potable water lines as indicated on the plans. The valve body shall be heavy-duty steel with fusion bonded epoxy coating. All internal parts shall be manufactured from 300 Series stainless steel. Valve shall be an Ames Company Series 4000RP.

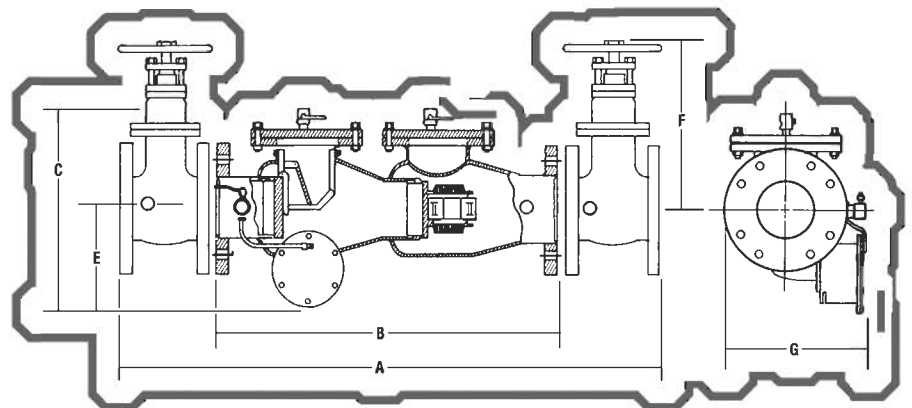
PRESSURE - TEMPERATURE

Maximum working pressure: 175psi
Temperature Range: 33°F – 110°F

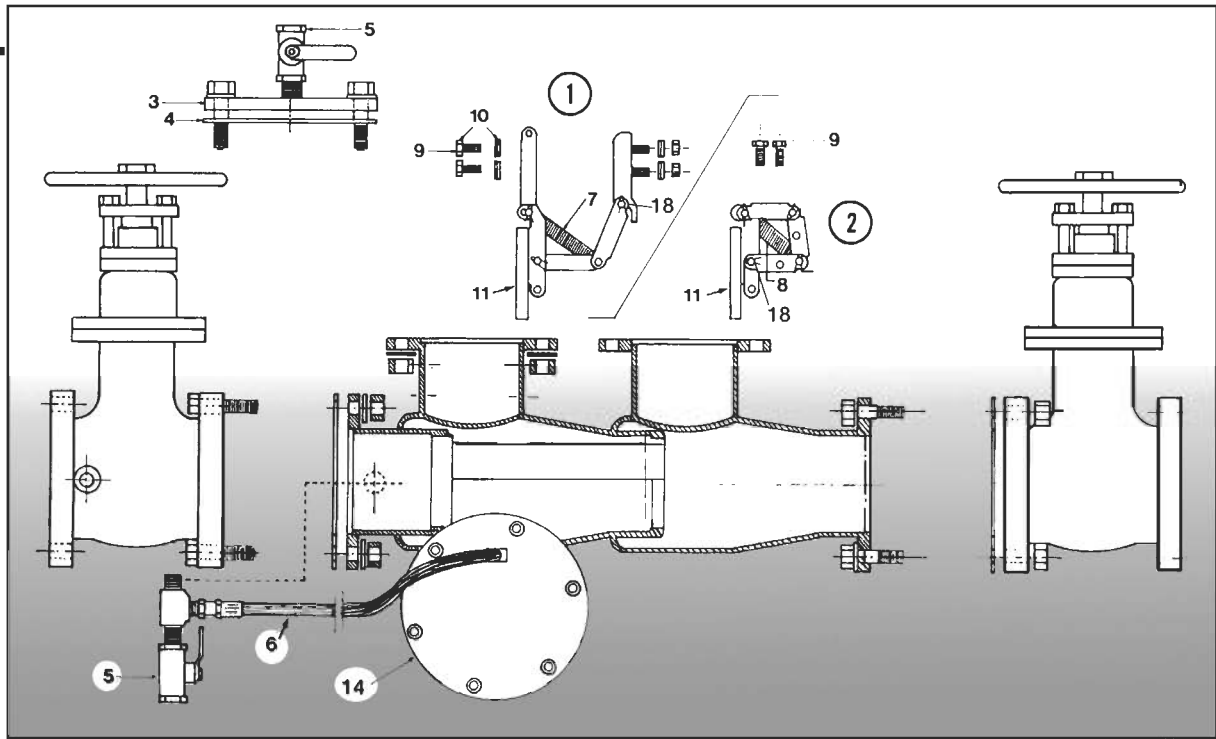
FLOW CURVES



DIMENSIONS & WEIGHTS

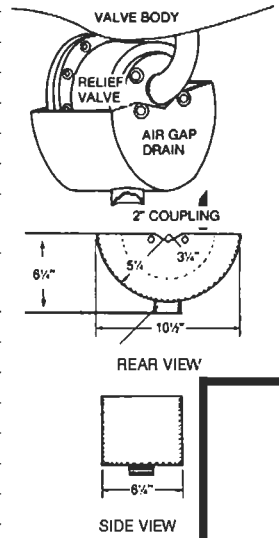


MODEL 4000 RP PARTS



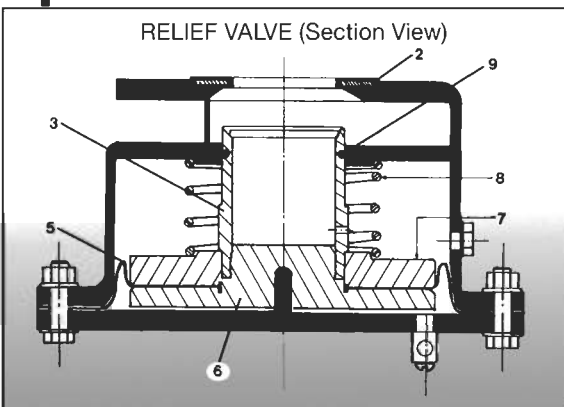
ITEM NO.	DESCRIPTION	QTY.	SIZE 4"	SIZE 6"	SIZE 8"	SIZE 10"
1	1st Knuckle Joint Assembly	1	7011208	7011415	7015553	7015553
2	2nd Knuckle Joint Assembly	1	7011441	7011220	7011257	7011257
3	Bonnet Flange and Cover	1	7011430	7011442	7011453	7011453
4	Bonnet Gasket	1	7011199	7011124	7011125	7011125
5	Ball Valve	4	7014668	A000449	A000449	A000449
6	Braided Hose	1	7014645	7014645	7014645	7014645
7	1st Assembly Springs (# of springs required)	7011320	7011319	7011319	7011319	7011319
8	2nd Assembly Springs (# of springs required)	7011322	7011128	7011323	7011323	7011323
9	3/8" Stainless Steel Housing Bolts	2	7014619	7014619	7014619	7014619
10	Washer (rubber faced)	2	7014585	7014585	7014585	7014585
11	Vulcanized Clapper Plate	1	7011418	7011419	7011420	7011420
12	Bronze Seat Ring (not shown)	1	7011160	7011162	7011163	7011163
13	Seat O-ring (not shown)	1	7011161	A300704	A300706	A300706
14	Relief Valve	1	7011283	7011283	7011283	7011283
15	Clapper Retainer Clip (not shown)	1	7013911	7013912	7013913	7013913
16	Tong Tool (all sizes) (not shown)	1	7016090	7016090	7016090	7016090
17	Seat Install and Removal Tool (not shown)	1	7013941	7013946	7013950	7013950
18	Linkage Retainer Clip	1	7011037	7011037	7011037	7011037

AIR GAP DRAIN INSTALLATION



NOTE: Same relief valve is used on all valve 4" through 10"

4000 RP & 5000 RPDA 4" to 10" RELIEF VALVE PARTS



ITEM NO.	DESCRIPTION	QTY.	PART #
1	Complete	1	7011283
2	Mounting Seat Gasket	1	7011295
3	Stainless Steel Seat Tube	1	7011290
4	Mounting Bolt (not shown)	4	7014619
5	Diaphragm	1	7011292
6	Diaphragm Top Plate	1	7011291
7	Diaphragm Bottom Plate	1	7011294
8	Spring	1	A300887
9	O-ring	1	7011233
10	Repair Kit (#2, #5, #9)	1	7013955