

Model 5000 RPDA Reduced Pressure Detector Assembly 4" to 10"



FEATURES

- Low head loss
- One piece body design
- Heavy duty steel body provides a substantially lighter weight unit than cast or ductile iron
- Ames-Guard™ fusion bonded epoxy internally and externally coated
- 300 series stainless steel internal parts.
- Easily removable bronze seat
- Easy in-line maintenance
- Air gap drain available
- 350psi hydrostatic test pressure

SPECIFICATIONS

Series 5000RPDA Reduced Pressure Detector Assemblies provide maximum protection to the potable water system by preventing backpressure and backsiphonage from the fire protection system containing contaminated substances. The Series 5000RPDA also detects leaks or unauthorized useage of water from fire protection lines. The one piece assembly consists of two independently operating straight flow spring loaded check valves with a hydraulically operated differential pressure relief valve connected between the check valves, two UL/FM OSY gate valves and a bypass assembly. The bypass assembly consists of a meter which registers in gallons or cubic measurements, a small diameter reduced pressure zone assembly including shutoff valves and required test cocks.

MODELS

Suffix:

OSY – UL/FM outside stem and yoke resilient seated gate valves

LG – less gates

LM – less meter

³/₄" bypass line specify suffix:

CFM – cubic feet per minute meter

GPM – gallons per minute meter

MATERIALS

Body: ASTM A36 steel

All internal working parts: 300 Series stainless steel

Seat: bronze ASTM B63-82

Bypass line: bronze

PRESSURE - TEMP

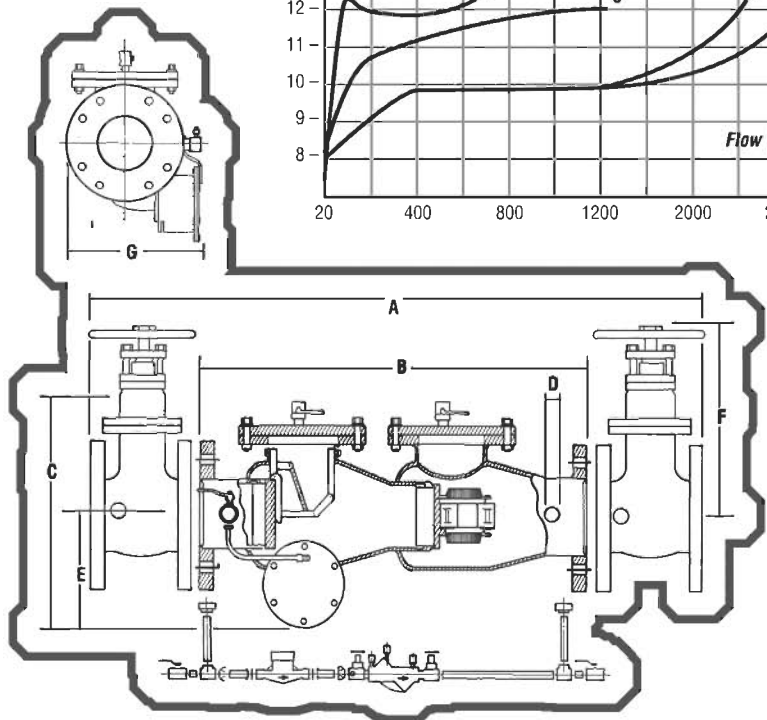
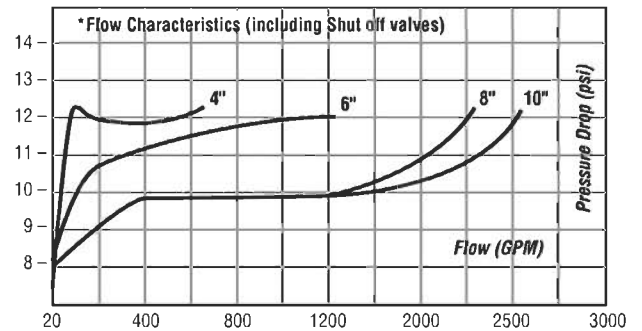
Maximum working pressure: 175psi

Temperature Range: 33°F - 110°F

APPROVALS

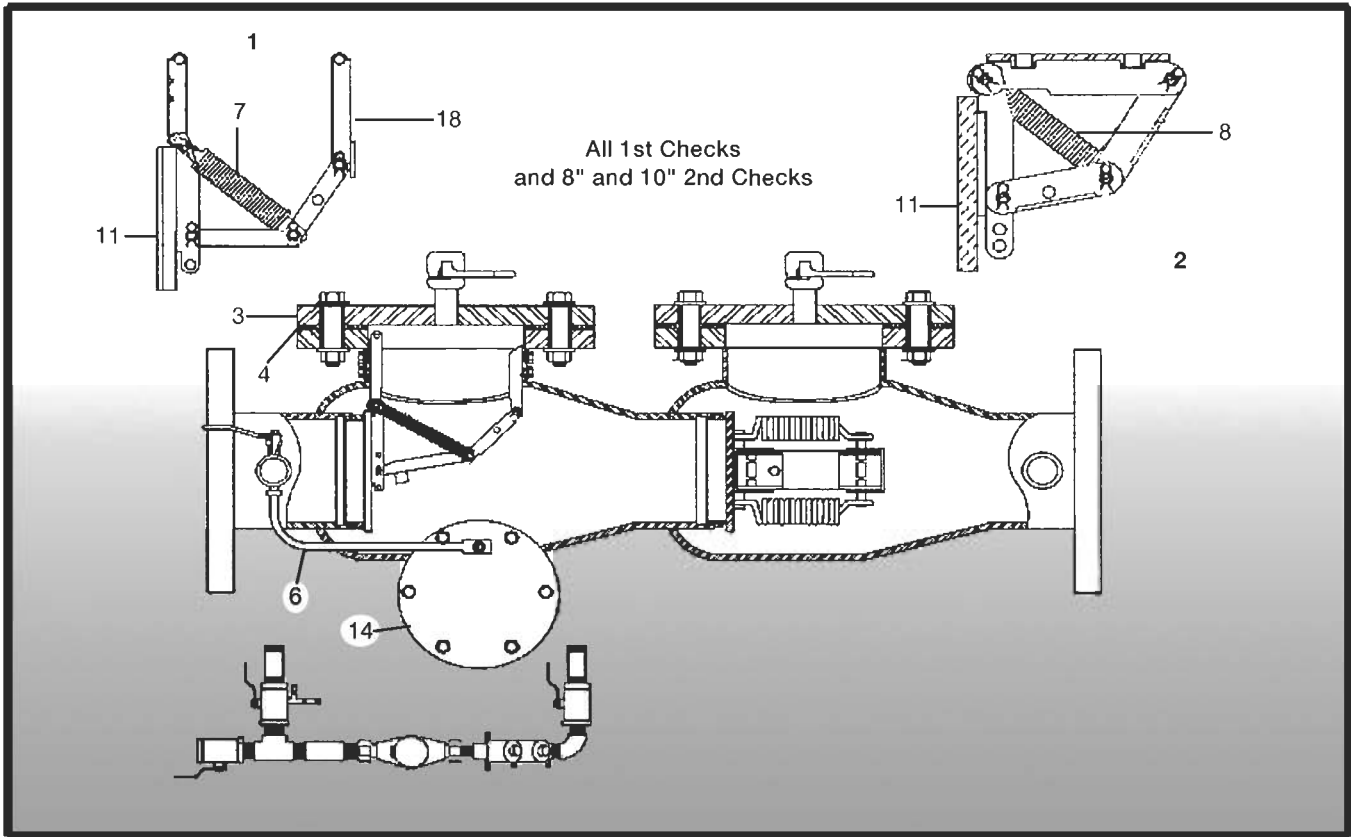
ASSE, UL, USC FCCC & HR

FLOW CURVES



Size	Dimensions					G		Net Weight	
	A	B	C	D	E	F	w/bypass	w/OSY	w/o gates
4	45 ¹ / ₂	27 ¹ / ₂	23 ⁷ / ₁₆	3/4 NPT	12	23 ³ / ₁₆	18	391	71.2
6	58 ⁷ / ₈	37 ⁷ / ₈	25 ¹ / ₂	3/4 NPT	13	29 ³ / ₁₆	20	564	97.1
8	68 ³ / ₄	45 ³ / ₄	27	3/4 NPT	14	37 ³ / ₄	22 ¹ / ₂	910	171.5
10	71 ³ / ₄	45 ³ / ₄	27	3/4 NPT	14	48	25	1330	189.6

Model 5000 RPDA Parts



ITEM NO.	DESCRIPTION	QTY.	SIZE 4"	SIZE 6"	SIZE 8"	SIZE 10"
1	1st Knuckle Joint Assembly	1	7011414	7011415	7015553	7015553
2	2nd Knuckle Joint Assembly	1	7011441	7011426	7011236	7011236
3	Bonnet Flange and Cover	1	7011430	7011442	7011453	7011453
4	Bonnet Gasket	1	7011199	7011124	7011125	7011125
5	Ball Valve	4	7014668	A000449	A000449	A000449
6	Braided Hose	1	7014645	7014645	7014645	7014645
7	1st Assembly Springs (# of springs required)		7011320 2	7011319 2	7011319 5	7011319 5
8	2nd Assembly Springs (# of springs required)		7011322 2	7011128 2	7011323 3	7011323 3
9	3/8" Stainless Steel Housing Bolts	2	7014619	7014619	7014619	7014619
10	Washer (rubber faced)	2	7014585	7014585	7014585	7014585
11	Vulcanized Clapper Plate	1	7011418	7011419	7011420	7011420
12	Bronze Seat Ring	1	7011160	7011162	7011163	7011163
13	Seat O-ring (not shown)	1	7011161	A300704	A300706	A300706
14	Relief Valve	1	7011283	7011283	7011283	7011283
15	Clapper Retainer Clip (not shown)	1	7013911	7013912	7013913	7013913
16	Tong Tool (all sizes)	1	7016090	7016090	7016090	7016090
17	Seat Install and Removal Tool	1	7013941	7013946	7013950	7013950
18	Linkage Retainer Clip	1	7011037	7011037	7011037	7011037

Relief Valve for this Model is the same as for Model 4000RP and can be found on that model's pages.