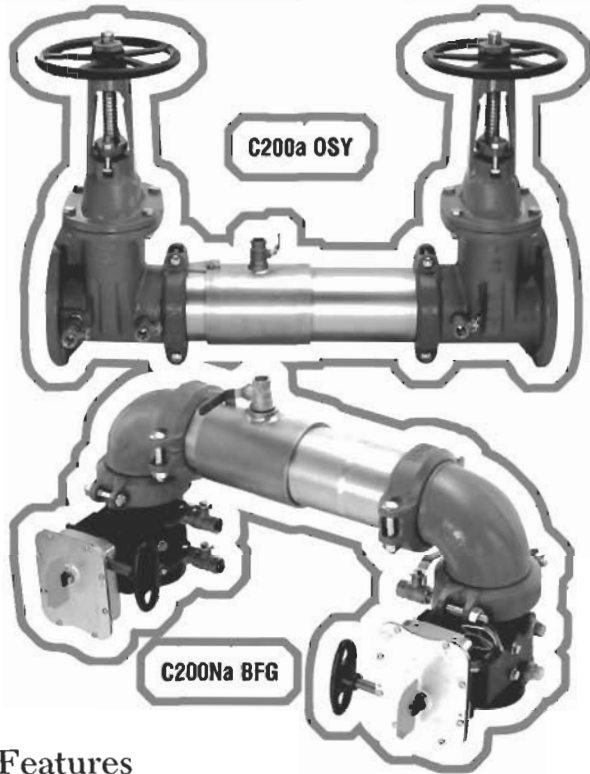


American Backflow Specialties

(800) 66-BKFLO (619) 527-2525 Fax: (619) 527-2527
www.americanbackflow.com



Colt Series C200a / C200Na Double Check Valves 2-1/2" to 10"

Available Models

Suffix:

NRS – non-rising stem resilient seated gate valves

OSY – UL/FM outside stem and yoke, resilient seated gate valves

BFG – UL/FM grooved gear operated butterfly valves with tamper switch



Configurations

- Horizontal
- Vertical up
- "N" pattern horizontal

COLT SERIES

Features

- Extremely Compact Design
- 70% Lighter than Traditional Designs
- 304 (Schedule 40) Stainless Steel Housing & Sleeve
- Groove Fittings Allow Integral Pipeline Adjustment
- Patented Bi-Link Check Provides Lowest Pressure Loss
- Unmatched Ease of Serviceability
- Available with Grooved Butterfly Valve Shutoffs
- Available for Horizontal, Vertical or N Pattern Installations
- Replaceable Check Disc Rubber

Description

The Colt C200a/C200Na Double Check Valve Assemblies are used to prevent backflow of pollutants, that are objectionable but not toxic, from entering the potable water supply system. The Colt C200/C200N may be installed under continuous pressure service and may be subjected to backpressure. The Colt C200a/C200Na consists of two independently operating check valves, two shutoff valves, and four test cocks. For use in non-health hazard applications.

Approvals

ASSE 1015, UL Listed 28S6, CSA B64.4, FM Approved

Installation

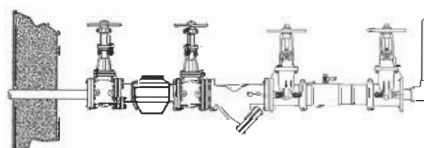
C200a/C200Na may be installed in either horizontal or vertical position as long as the backflow assembly is installed in accordance with the direction of flow arrow on the assembly and the local water authority approves installation. The assembly should be installed with adequate clearance around the valve for inspection, testing and servicing. 12" should be the minimum clearance between the lower portion of the assembly and the floor or grade.

Pressure — Temperature

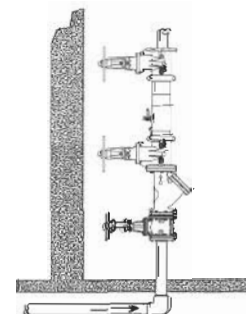
Temperature Range: 33°F – 140°F
Maximum Working Pressure: 175psi

Materials

- Housing & Sleeve: 304 Stainless Steel
- Elastomers: EPDM, Silicone and Buna 'N'
- Tri-Link Checks: Noryl®, Stainless Steel
- Check Discs: Reversible EPDM
- Test Cocks: Bronze Body Nickel Plated
- Pins & Fasteners: 300 Series Stainless Steel
- Springs: Stainless Steel



Horizontal Installation



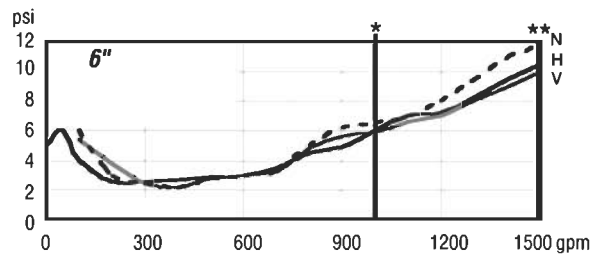
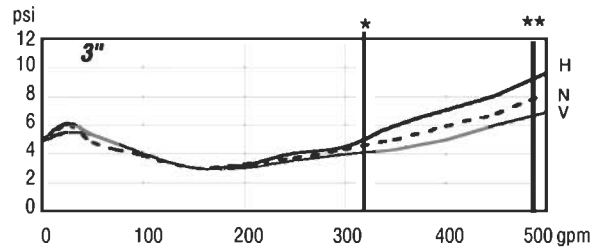
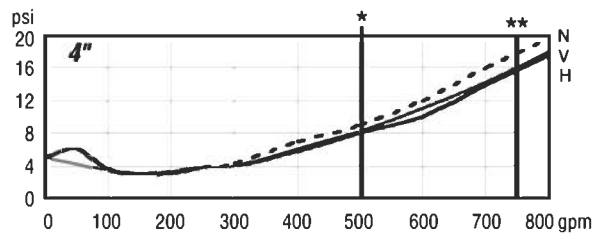
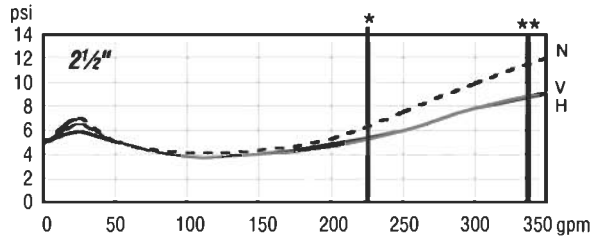
Vertical Installation

Dimensions — Weights

C200a/C200Na - identical to Colt Series C200/C200N, see dimensions 2-1/2" to 6" on that product page.

C200aBFG/C200NaBFG - identical to Series C200BFG/C200NBFG, see dimensions 2-1/2" to 6" on that product page.

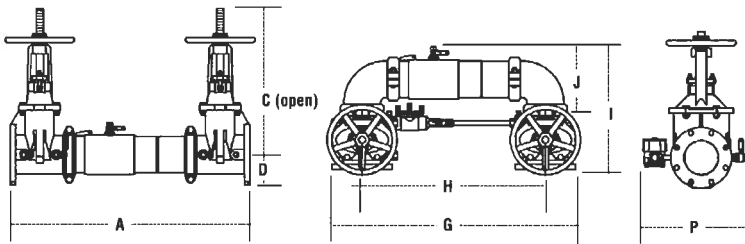
Flow Curves ——— Horizontal ——— Vertical - - - - - N - Pattern * = Rated Flow ** = UL Tested



Colt Series C200a/C200Na

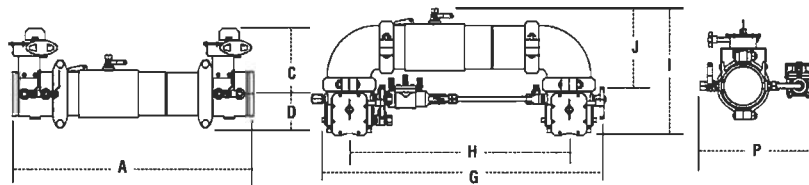
Colt Series C300a/C300Na

Dimensions — Weights



C300a/C300Na

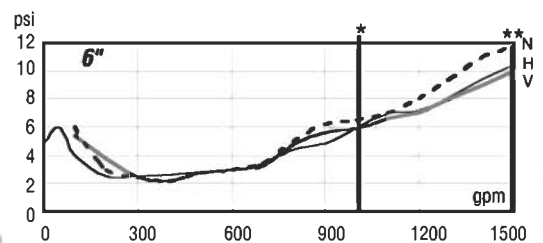
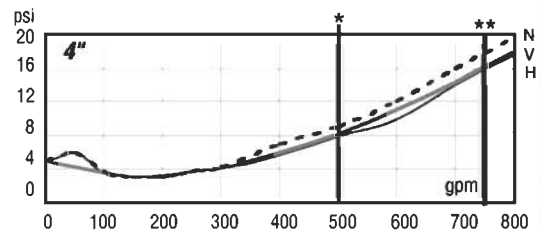
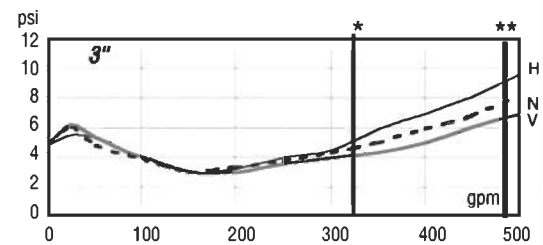
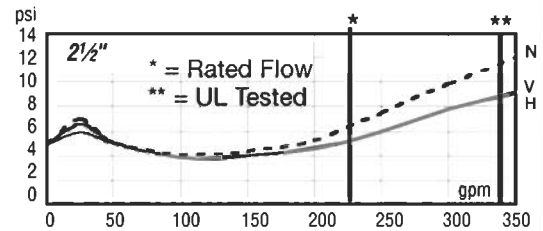
SIZE (DN)	DIMENSIONS									WEIGHT	
	A	C (OSY)	D	G	H	I	J	P	C300a	C300Na	
2 1/2	31	16 3/8	3 1/2	29 1/16	22	15 1/2	8 13/16	13 3/16	139	147	
3	31 11/16	18 3/8	3 11/16	30 3/4	22 3/4	17 1/8	9 3/16	14 1/2	159	172	
4	33 11/16	22 3/4	4	33	24	18 1/2	9 15/16	15 3/16	175	198	
6	44	30 3/8	5 1/2	44 3/4	33 3/4	23 3/16	13 1/16	19	309	350	

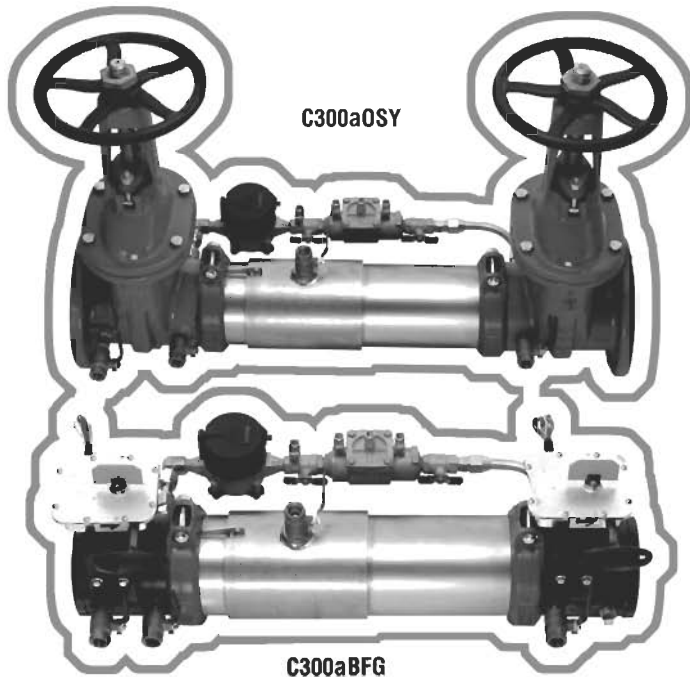


C300aBFG/C300NaBFG

SIZE (DN)	DIMENSIONS									WEIGHT	
	A	C	D	G	H	I	J	P	C300aBFG	C300NaBFG	
2 1/2	65	28	8	3 1/2	29 3/8	22	14 15/16	8 13/16	13	70	78
3	80	28 1/2	8 5/16	3 11/16	30 11/16	22 3/4	15 7/16	9 3/16	13 1/2	68	81
4	100	29 3/16	8 15/16	3 11/16	31 15/16	24	16 1/4	9 15/16	14	75	98
6	150	36 1/2	10	5	43 3/16	33 3/4	19 1/16	13 1/16	14 1/2	131	171

Flow Curves





Colt Series C300a / C300Na Double Check Detector Assemblies 2-1/2" to 6"

Available Models

Suffix:

OSY – UL/FM outside stem and yoke, resilient seated gate valves

BFG – UL/FM grooved gear operated butterfly valves with tamper switch

5
Ames

Configurations

- Horizontal
- Vertical up
- "N" pattern horizontal

COLT SERIES

Features

- Extremely Compact Design
- 70% Lighter than Traditional Designs
- 304 (Schedule 40) Stainless Steel Housing & Sleeve
- Groove Fittings Allow Integral Pipeline Adjustment
- Patented Bi-Link Check Provides Lowest Pressure Loss
- Unmatched Ease of Serviceability
- Available with Grooved Butterfly Valve Shutoffs
- Available for Horizontal, Vertical or N Pattern Installations
- Replaceable Check Disc Rubber

Description

The C300a/C300Na Double Check Valve Assemblies are used to prevent backflow of pollutants, that are objectionable but not toxic, from entering the potable water supply system. The Colt C200/C200N may be installed under continuous pressure service and may be subjected to backpressure. The Colt C300a/C300Na consists of two independently operating check valves, two shutoff valves, and four test cocks. For use in non-health hazard applications.

Approvals

ASSE 1048, UL Listed 28S6, CSA B64.4, FM Approved

Installation

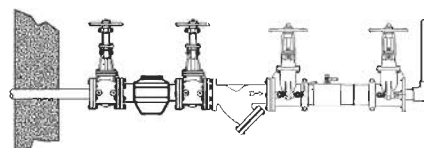
C300a/C300Na may be installed in either horizontal or vertical position as long as the backflow assembly is installed in accordance with the direction of flow arrow on the assembly and the local water authority approves installation. The assembly should be installed with adequate clearance around the valve for inspection, testing and servicing. 12" should be the minimum clearance between the lower portion of the assembly and the floor or grade.

Pressure — Temperature

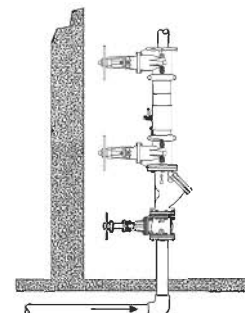
Temperature Range: 33°F – 140°F
Maximum Working Pressure: 175psi

Materials

- Housing & Sleeve: 304 Stainless Steel
- Elastomers: EPDM and Buna 'N'
- Bi-Link Checks: Noryl®, Stainless Steel
- Check Discs: Reversible EPDM
- Test Cocks: Bronze Body Nickel Plated
- Pins & Fasteners: 300 Series Stainless Steel
- Springs: Stainless Steel

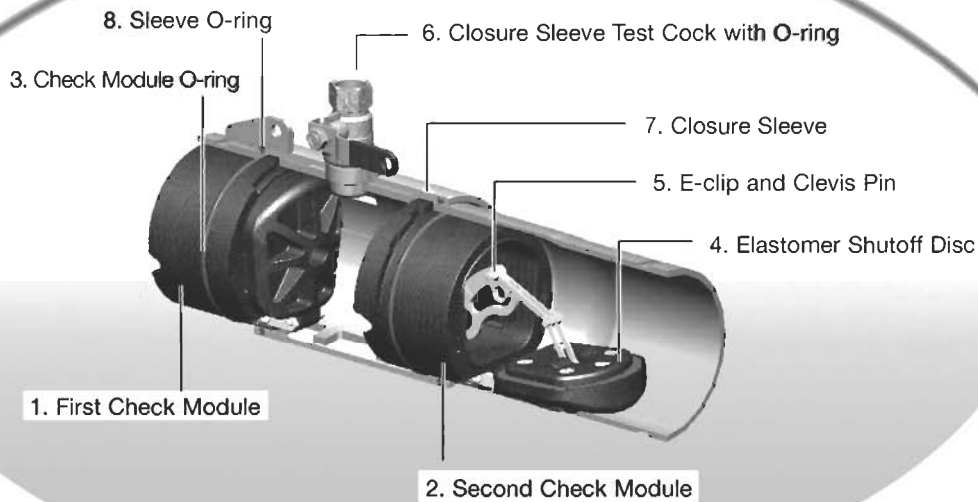


Horizontal Installation



Vertical Installation

Colt Series - Models C200a/C200Na & C300/C300Na Replacement Parts



ITEM NO.	PART DESCRIPTION	2 1/2"	3"	4"	6"
1	FIRST CHECK MODULE (a)	7018387	7018387	7018387	7018389
2	SECOND CHECK MODULE (a)	7018388	7018388	7018388	7018390
3	CHECK MODULE O-RING	7017861	7017861	7017861	7017910
4	ELASTOMER SHUTOFF DISC	7018329	7018329	7018329	7018330
5	GROOVED CLEVIS PIN KIT (CONTAINS: "E" CLIP & CLEVIS PIN) 5 PER PACK	7018126	7018126	7018126	7018127
6	CLOSURE SLEEVE TEST-COCK WITH O-RING	7018152	7018152	7018152	7018153
7	CLOSURE SLEEVE	7017880	7017880	7017880	7017882
8	SLEEVE O-RING (2 REQ'D)	7017896	7017896	7017896	7017921
NS	CHECK REPAIR KIT (CONTAINS: O-RING, SHUTOFF DISC & "E" CLIP)	7018391	7018391	7018391	7018392
NS	TEST COCK, .50 FPT X FPT WITH NIPPLE	7018394	7018394	7018394	N/A
NS	TEST COCK, .75 FPT X FPT WITH NIPPLE	N/A	N/A	N/A	7018395
NS	"E" CLIP	7017870	7017870	7017870	7017821
NS	GROOVE COUPLER	7017994	7017995	7018147	7018148
NS	O-RING, #3 TEST COCK	7017897	7017897	7017897	7017897
NS	STAINLESS STEEL CHECK RETAINER	7018408	7018408	7018408	7018409

American Backflow Specialties

www.americanbackflow.com

(800) 66-BKFLO

(619) 527-2525

Fax: (619) 527-2527