

24200 Series Pressure Vacuum Breaker Backflow Preventer 1/2" to 2"

APPLICATION AND DESCRIPTION

The 24200 series Pressure Vacuum Breaker device is designed to prevent backflow of contaminated water into the potable water supply where back pressure is not present. The vacuum breaker may be installed under continuous pressure conditions. Pressure vacuum breakers are generally installed on potable water systems where the possibility of contamination is present. These devices are used in lawn sprinkler systems, cooling towers, laboratories, laundries, swimming pools, and industrial plant applications. Consult your local codes prior to installing any backflow prevention device.

FEATURES AND BENEFITS

- Bronze body for strength and durability.
- Certification in process by USC Foundation for Cross Connection Control and Hydraulic Research, ASSE, AWWA, IAPMO, City of New York and CSA.
- Replaceable bronze valve seats for improved serviceability.
- All internal parts are easily serviceable without removing the valve body.
- Pressure rated to 175 PSI and hydrostatically tested to 350 PSI.
- Temperature rated to 180 degrees F.
- All test cocks are blowout resistant.
- Minimum head loss design.
- Available with or without resilient seat ball valves.

PERFORMANCE

CAT. NO.	MODEL NO.	SIZE NPT	Flow Rate (GPM)														
			5	10	15	20	30	40	50	60	70	80	100	120	150	170	180
24199	050-PVB	1/2"	2.6	4.4	7.0	--	--	--	--	--	--	--	--	--	--	--	--
24200	075-PVB	3/4"	2.8	3.3	3.8	4.5	6.5	--	--	--	--	--	--	--	--	--	--
24201	100-PVB	1"	--	2.5	2.8	3.1	4.0	4.8	5.8	6.7	--	--	--	--	--	--	--
24202	125-PVB	1 1/4"	--	--	2.0	2.1	2.5	2.9	3.4	3.8	4.3	5.0	--	--	--	--	--
24203	150-PVB	1 1/2"	--	--	--	2.0	2.2	2.5	2.8	2.9	3.1	3.6	4.5	5.3	--	--	--
24204	200-PVB	2"	--	--	--	--	--	2.5	2.6	2.7	2.8	3.1	3.5	3.9	4.8	5.7	6.1

MODEL DESCRIPTIONS

MODEL NO.	SIZE NPT	DIMENSIONS - inches		
		Height	Width	Length
050-PVB	1/2"	6-1/2"	4"	6-3/4"
075-PVB	3/4"	6-3/4"	4"	7"
100-PVB	1"	8-1/2"	4"	9"
125-PVB	1 1/4"	10"	5-1/2"	10-1/2"
150-PVB	1 1/2"	10-1/4"	5-1/2"	10-3/4"
200-PVB	2"	10-3/4"	5-1/2"	11-1/4"

HOW TO SPECIFY

1 2 5 - P V B - R S



SIZE



TYPE



OPTION

This specifies a 1 1/4" double check backflow preventer with replaceable seats.

OPTIONS

Without ball valves (/60)

BSPT without ball valves (/55)

MATERIALS

Body: cast brass

Internal assemblies: engineered polymer

Vent poppet: engineered polymer

Check valve: engineered polymer

Guides: engineered polymer

Springs: stainless steel

Rubber seats: Buna-A or EPDM

American Backflow Specialties

www.americanbackflow.com

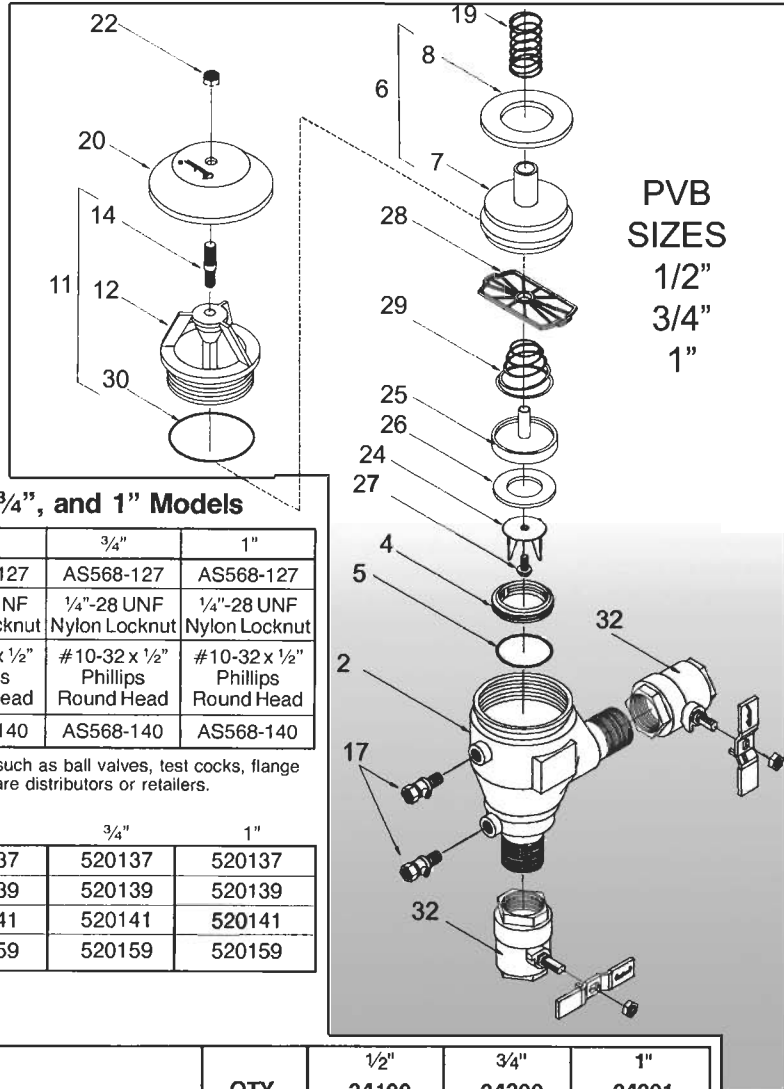
(800) 66-BKFLO

(619) 527-2525

Fax: (619) 527-2527

INSTALLATION

The PVB must be installed where accessible for testing and maintenance. Flush pipeline thoroughly before installation. The air vent must be in the vertical position. Assembly should be installed 12" above highest outlet. Consult local codes for installation requirements. Install the PVB where spillage will not be objectionable. After install, open the inlet ball valve to pressurize. Slowly open the outlet ball valve to pressurize the line. If check valve fails to hold 1 PSI, the unit is foul and must be disassembled and cleaned. Device must be protected from freezing.



Commercially Available Parts for 1/2", 3/4", and 1" Models

ITEM	DESCRIPTION	MATERIAL	1/2"	3/4"	1"
5	O-Ring	BUNA-N	AS568-127	AS568-127	AS568-127
22	Lock Nut	St. Steel	1/4"-28 UNF Nylon Locknut	1/4"-28 UNF Nylon Locknut	1/4"-28 UNF Nylon Locknut
27	Screw	St. Steel	#10-32 x 1/2" Phillips Round Head	#10-32 x 1/2" Phillips Round Head	#10-32 x 1/2" Phillips Round Head
30	O-ring	BUNA-N	AS568-140	AS568-140	AS568-140

NOTE: The above listed parts in addition to non-listed items such as ball valves, test cocks, flange gaskets, etc. are commercially available through most hardware distributors or retailers.

SERVICE KITS

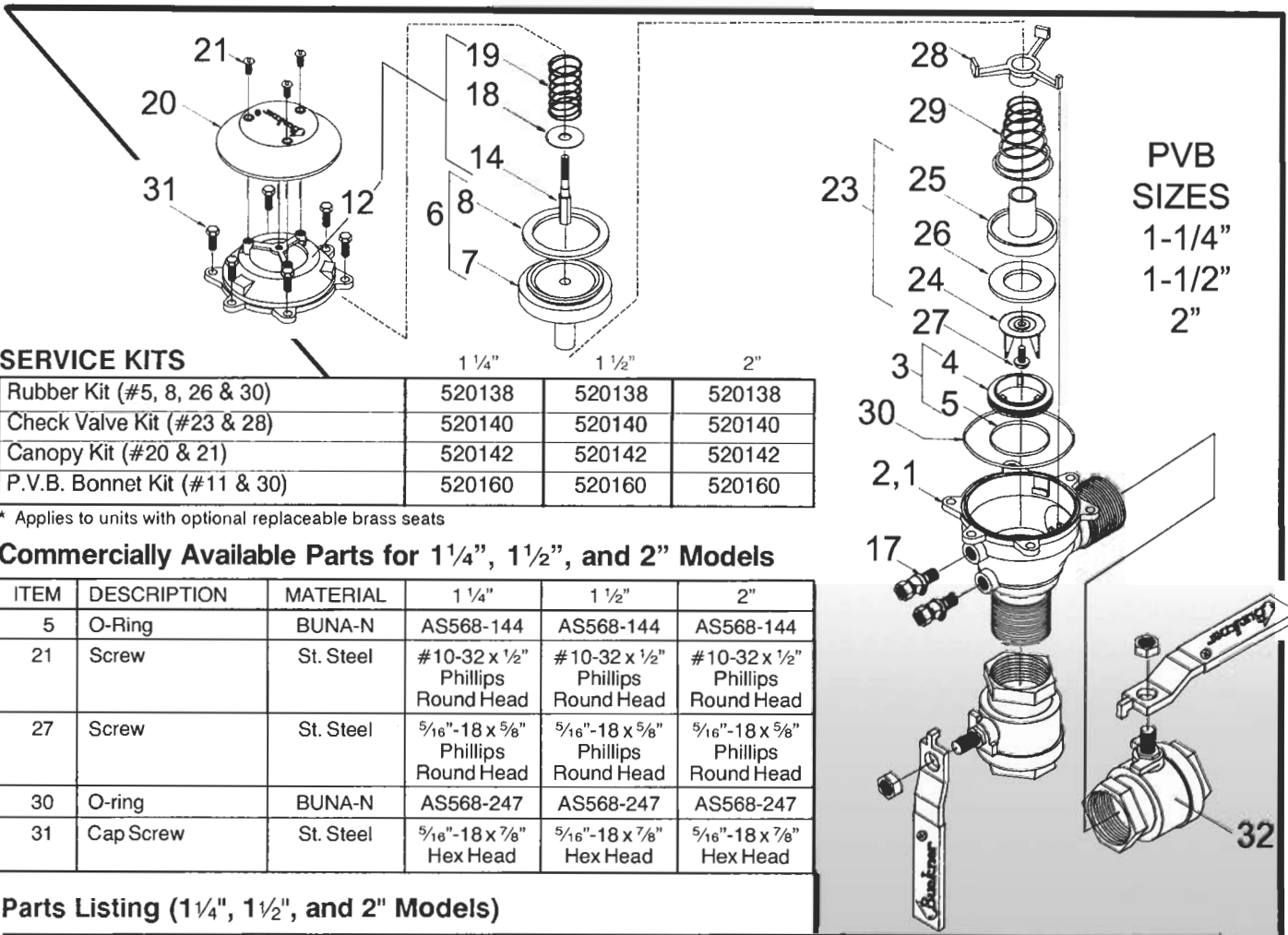
	1/2"	3/4"	1"
Rubber Kit (#5, 8, 26, & 30)	520137	520137	520137
Check Valve Kit (#23 & 28)	520139	520139	520139
Canopy Kit (#20 & 22)	520141	520141	520141
P.V.B. Bonnet Kit (#12, 14, & 30)	520159	520159	520159

* Applies to units with optional replaceable brass seats

Parts Listing (1/2", 3/4", and 1" Models)

ITEM	DESCRIPTION	QTY.	1/2" 24199	3/4" 24200	1" 24201
1	Body Assembly - Includes:	1	—	—	—
2	Body	1	501624	501513	501514
17	Test Cock	2	611901	611901	611901
3	Replaceable Ring Seal Assembly* - Includes:	1	510743	510743	510743
4	Seat, Replaceable	1	—	—	—
5	Seal, O-ring	1	—	—	—
6	Poppet Seat Assembly, Air Inlet - Includes:	1	510745	510745	510745
7	Poppet	1	—	—	—
8	Seat Disc	1	—	—	—
11	Bonnet Assembly - Includes:	1	—	—	—
12	Bonnet	1	—	—	—
14	Stem, Guide	1	—	—	—
30	Seal, O-ring - Bonnet	1	—	—	—
19	Spring, Poppet	1	501524	501524	501524
20	Canopy	1	501525	501525	501525
22	Nut, Lock	1	600069	600069	600069
23	Guide Assembly, Check Valve - Includes:	1	510744	510744	510744
24	Guide	1	—	—	—
25	Valve	1	—	—	—
26	Seat Disc	1	—	—	—
27	Screw	1	—	—	—
28	Retainer, Spring	1	501613	501613	501613
29	Spring, Check	1	501519	501519	501519
32	Ball Valve Assembly	2	22079	22080	22081





PVB
SIZES
1-1/4"
1-1/2"
2"

SERVICE KITS

	1 1/4"	1 1/2"	2"
Rubber Kit (#5, 8, 26 & 30)	520138	520138	520138
Check Valve Kit (#23 & 28)	520140	520140	520140
Canopy Kit (#20 & 21)	520142	520142	520142
P.V.B. Bonnet Kit (#11 & 30)	520160	520160	520160

* Applies to units with optional replaceable brass seats

Commercially Available Parts for 1 1/4", 1 1/2", and 2" Models

ITEM	DESCRIPTION	MATERIAL	1 1/4"	1 1/2"	2"
5	O-Ring	BUNA-N	AS568-144	AS568-144	AS568-144
21	Screw	St. Steel	#10-32 x 1/2" Phillips Round Head	#10-32 x 1/2" Phillips Round Head	#10-32 x 1/2" Phillips Round Head
27	Screw	St. Steel	5/16"-18 x 5/8" Phillips Round Head	5/16"-18 x 5/8" Phillips Round Head	5/16"-18 x 5/8" Phillips Round Head
30	O-ring	BUNA-N	AS568-247	AS568-247	AS568-247
31	Cap Screw	St. Steel	5/16"-18 x 7/8" Hex Head	5/16"-18 x 7/8" Hex Head	5/16"-18 x 7/8" Hex Head

Parts Listing (1 1/4", 1 1/2", and 2" Models)

ITEM	DESCRIPTION	QTY	1 1/4" 24202	1 1/2" 24203	2" 24204
1	Body Assembly - Includes:	1	-	-	-
2	Body	1	501503	501431	501432
17	Test Cock	2	611900	611900	611900
3	Replaceable Ring Seal Assembly* - Includes:	1	510735	510735	510735
4	Seat, Replaceable	1	-	-	-
5	Seal, O-ring	1	-	-	-
6	Poppet Seat Assembly, Air Inlet - Includes:	1	510737	510737	510737
7	Poppet	1	-	-	-
8	Seat Disc	1	-	-	-
11	Bonnet Assembly - Includes:	1	510739	510739	510739
12	Bonnet	1	-	-	-
14	Stem, Guide	1	-	-	-
30	Seal, O-ring - Bonnet	1	630135	630135	630135
18	Washer	1	-	-	-
19	Spring, Poppet	1	-	-	-
31	Screw, Cap - Bonnet	6	602025	602025	602025
20	Canopy	1	501434	501434	501434
21	Screw, Canopy	3	602091	602091	602091
23	Guide Assembly, Check Valve - Includes:	1	-	-	-
24	Guide	1	-	-	-
25	Valve	1	-	-	-
26	Seat Disc	1	-	-	-
27	Screw	1	-	-	-
28	Retainer, Spring	1	501481	501481	501481
29	Spring, Check	1	501511	501511	501511
32	Ball Valve Assembly (T-handles on 1/2" - 1" only)	2	22082	22083	22084