

Model D Double Check Valve Assembly 2" to 10"

FEATURES

- Serial number needed for parts inquiries
- Low head loss
- No internal or external weights
- No sliding surfaces to corrode
- Positive operation w/o chattering
- All parts are corrosion resistant

DESCRIPTION

The Cla-Val Model D Backflow Preventer provides reliable backflow protection for intermediate degrees of hazard.

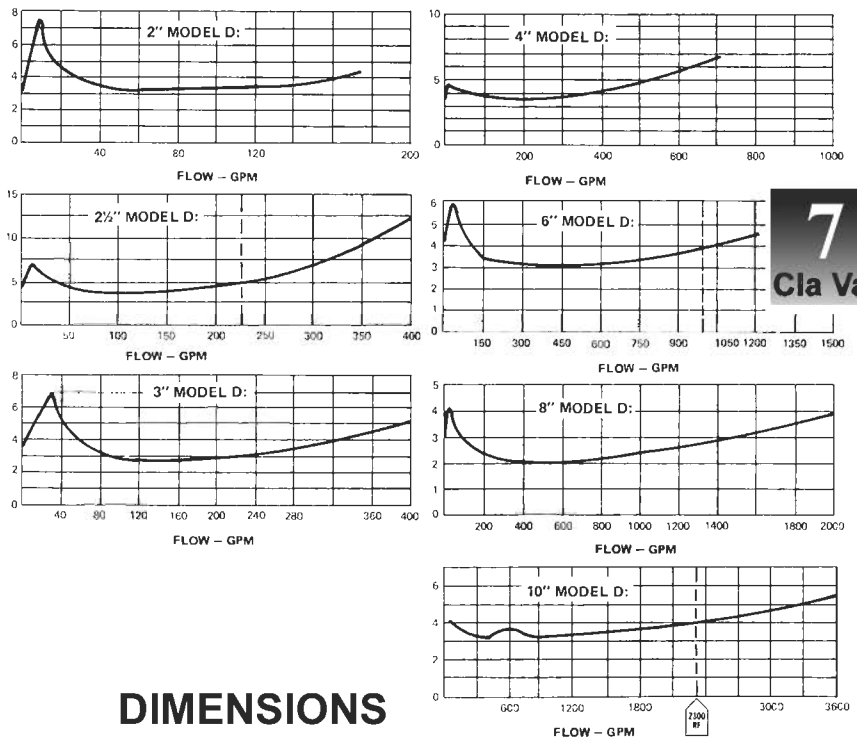
Model D consists of two independently acting spring-loaded toggle lever check valves, an automatic pressure differential relief valve located between the two check valves, two shut-off valves and four test cocks that enable easy field testing. All parts are readily accessible without removing from the line.

REPAIR KITS - Check Valves

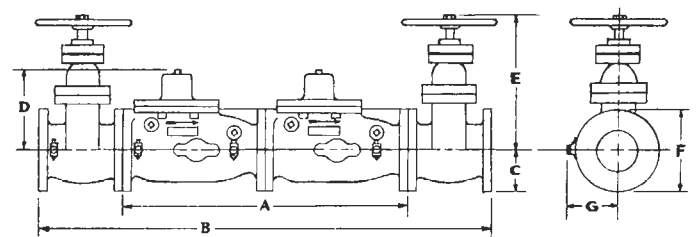
	Old Style*	New Style*
2" - Check Valve	3081 - 81319G	10862B
2-1/2" - Check Valve	3081 - 81320E	same
3" - Check Valve	3081 - 813321C	same
4" - Check Valve	3081 - 81322A	10863K
6" - Check Valve	3081 - 81323J	10864H
8" - Check Valve	3081 - 81324G	10865E
10" - Check Valve	3081 - 81325D	same

* See next page to determine which style you require.

FLOW CURVES



DIMENSIONS



Valve Size	SCREWED				FLANGED			
	2"	2 1/2"	3"	4"	6"	8"	10"	
A	22 5/16	20 1/8	27 1/8	26 3/8	30 3/8	40 1/8	59 1/2	
B	28 1/16	31 13/16	42 3/8	42 3/8	48 1/4	61 1/4	86	
C	3	3	3 1/2	3 3/4	4 1/2	5 1/2	8	
D	5 1/4	5 1/4	7 1/4	7 1/4	8 3/8	11	15 3/4	
E	8 1/2	8 1/2	13 3/8	15	17 1/2	20 3/4	29 1/2	
F	6	6	7	7 1/2	9 1/4	11 1/2	16 1/4	
G	4 1/4	4 1/4	6 1/2	6 1/2	6	8 1/2	10 1/4	

MODEL D INFORMATION

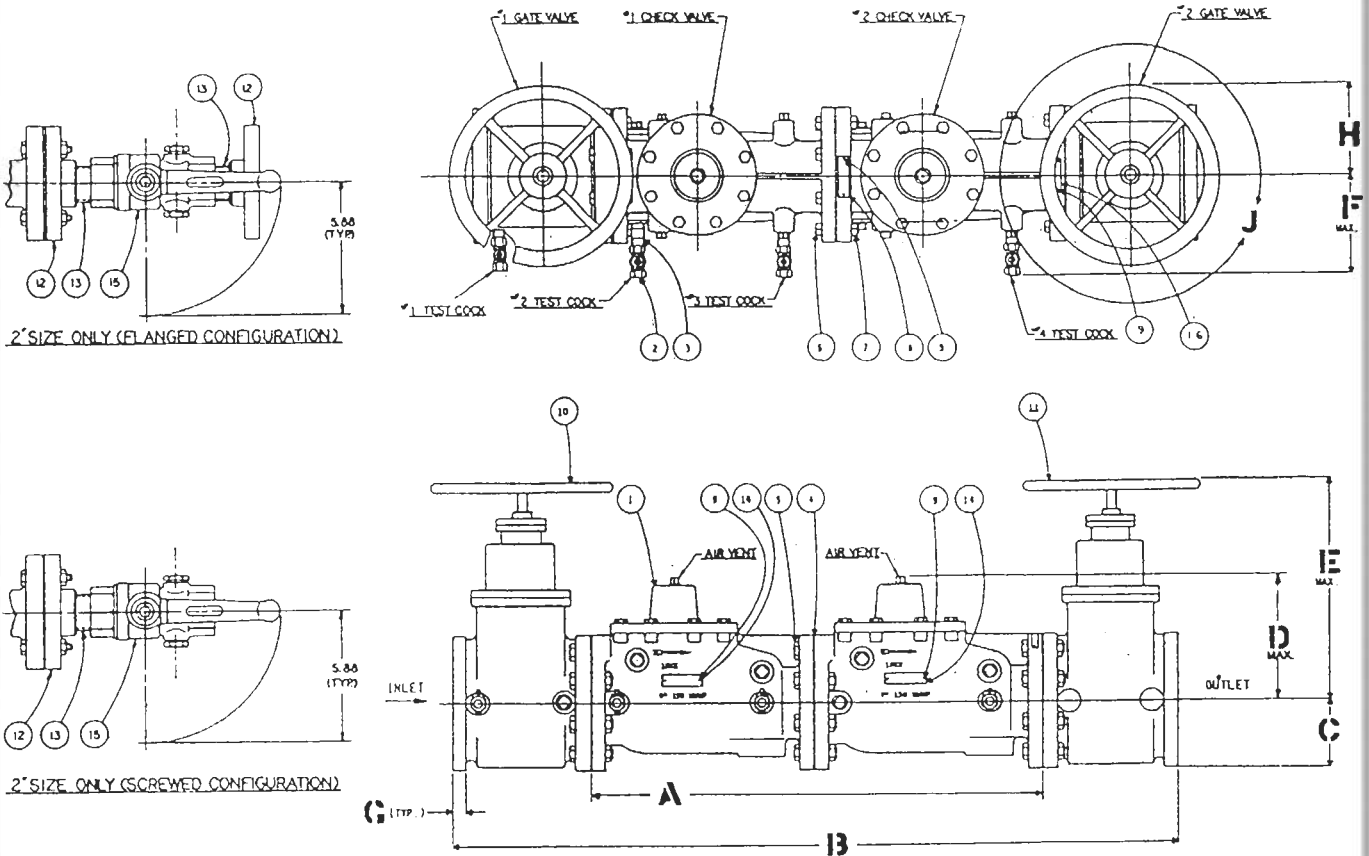
Serial Number:

Old Style

AA-AL, BABL, CA-AL, DA-DL, EA-EL, FA-FL, GA-GL
 HA-HL, IA-AL, JA-JL, KA-KL, MA-ML, NA-NL, OA-OL
 PA-PL, QA-QL, RA-RL, SA-SL, TA-TL, UA-UL, VA-VL, WA-WL

New Style

XA-XL, YA-YL, ZA-ZL, AM-AX, BX-BX, CM-CX, DM-DX, EM-EX
 FM-FX, GM-GX, HM-HX, IM-IX, JM-JX, KM-KX, LM-LX, MM-MX



VALVE SIZE	DIMENSION TABLE									
	A	B MAX.		C	D MAX	E MAX	F MAX	G MIN.		H
		SCREWED	FLANGED					SCREWED	FLANGED	
2"	20.00	33.66	37.16	3.00	5.25	—	5.88	—	.50	4.00
2 1/2"	26.00	—	42.19	3.50	7.25	13.12	6.50	—	.69	4.00
3"	26.00	—	42.19	3.75	7.25	15.25	6.50	—	.75	4.50
4"	30.12	—	46.19	4.50	8.31	17.50	7.62	—	.94	5.00
6"	40.00	—	61.19	5.50	11.00	21.00	9.00	—	1.00	6.00
8"	50.81	—	73.94	6.75	13.00	24.88	10.25	—	1.12	8.00
10"	59.56	—	85.68	8.00	15.75	29.36	11.36	—	1.19	10.00



Call 1-800-66-BKFLO if you need more information!

American Backflow Specialties

www.americanbackflow.com