

SERIES 40-100 Double Check Valve Assembly 2-1/2" to 4"

FEATURES

- Corrosion resistant
- Removable bronze seats
- Easy to install, repair and maintain
- Low head loss
- Replaceable check modules and discs
- Check valve assemblies interchangeable
- Maximum working pressure 175 psi
- Operating temperature range 33°F-140°F

DESCRIPTION

Series 40-100 Double Check Valve is designed to control cross connections between potable water lines and substances that are objectionable, but are not a health hazard. It is a compact, economical device that is easily repaired in-line.

The device consists of two independent spring loaded poppet check valves in a single bronze body. The unit is available with inlet and outlet shutoff valves. Four test cocks complete the assembly. The check valves are easily field tested.

APPROVALS

ASSE 1015, AWWA, IAPMO, FM, CSA B64.5, IAPMO, UL, USC FCCC & HR (FM & UL approvals require OS&Y gate valves)

OPERATION

During normal flow conditions, the two check valves are held off their seats, supplying water downstream. Each check valve is designed to maintain a minimum of 1 psi across the valve during normal operation. If at any time the pressure downstream of the device increases to within 1 psi of supply pressure, both check valves will close to prevent a backflow condition from occurring.

MODELS

2-1/2"	40-109
3"	40-100
4"	40-10A



OPTIONS

Suffix #s

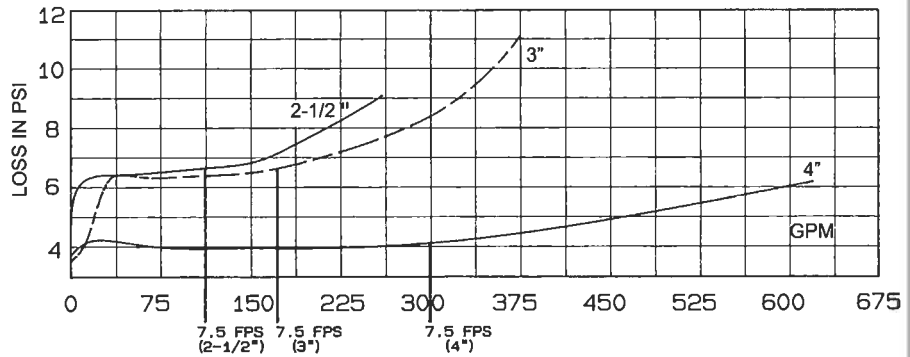
-01	Less gate valves
-02	With NRS gates
-03	With OS&Y gates

MATERIALS

Body and covers	Epoxy coated ductile iron
Springs	Stainless steel
Seats	Bronze
Check valve discs	EPDM
Fasteners	Stainless Steel

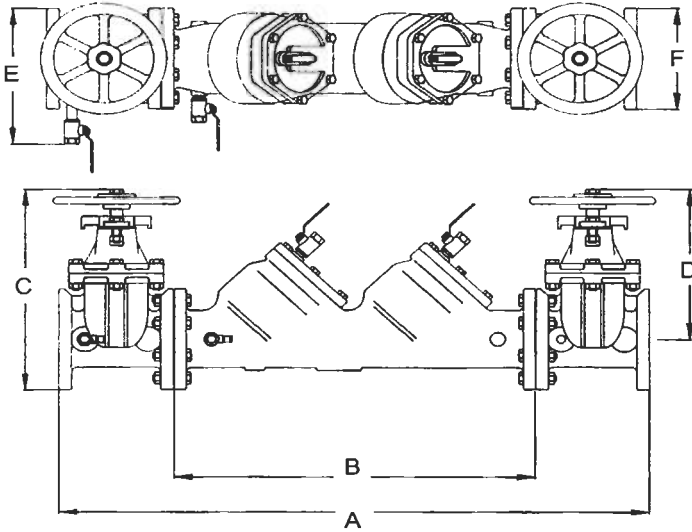
Series 40-100
(2-1/2" to 4")

FLOW CURVES

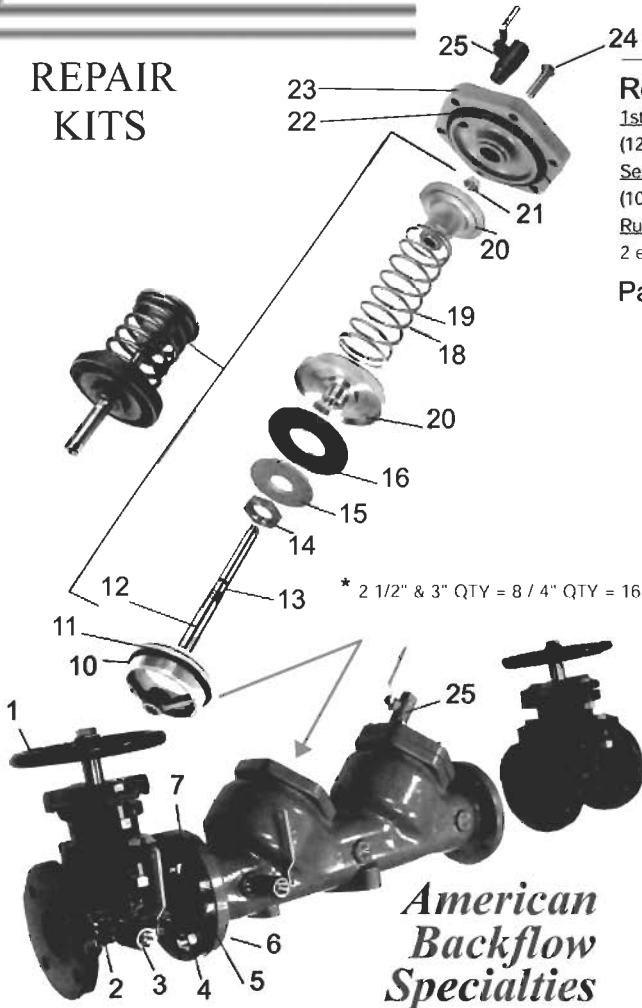


DIMENSIONS & WEIGHTS

Body Size	2-1/2"	3"	4"
A	37-1/16	38-1/16	46-3/4
B	22-1/16	22-1/16	28-3/4
C NRS	12-3/4	15-13/16	17-7/8
C OS & Y (OPEN)	17-1/2	25-13/16	27-11/16
D NRS	9-1/4	12-1/16	13-3/8
D OS & Y (OPEN)	14	22-1/16	23-3/16
E	9-5/8	10-3/8	11-7/8
F	7	7-1/2	9
Test Cocks	1/2x1/2 NPT	1/2x1/2 NPT	1/2x1/2 NPT
Net Wt. (Less Gate Valves)	84	84	146
Net Wt. (With NRS Valves)	183	214	338
Net Wt. (With OS & Y Valves)	193	221	352
Shipping Wt. (Less Gate Valves)	148	148	210
Shipping Wt. (w/NRS Valves)	247	278	402
Shipping Wt. (w/OS & Y Valves)	257	285	416



REPAIR KITS



ITEM	DESCRIPTION	QUANTITY	2-1/2"	3"	4"
------	-------------	----------	--------	----	----

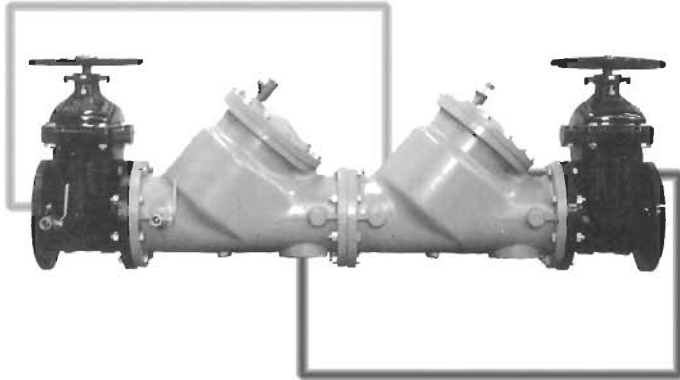
Repair Kits

1st Check Valve Repair Kit (12, 13, 14, 15, 16, 17, 18, 20, 21, 22)	40-009-02	40-009-02	40-00A-02
Seat Repair Kit (10, 11, 22)	40-009-03	40-009-03	40-00A-03
Rubber Repair Kit 2 each (10, 13, 16, 22)	40-009-04	40-009-04	40-00A-04

Parts

1	Shut-Off Valve (OS&Y)	2	W-6789-00	W-6790-00	W-6824-00
1	Shut-Off Valve (NRS)	2	W-6785-00	W-6786-00	W-6743-00
2	Brass Nipple	1	K-3406-00	K-3406-00	K-3406-00
3	Test Cock	1	70-103-01	70-103-01	70-103-01
4	Flange Nut	*	C-1438-00	C-1438-00	C-1438-00
5	Ring Gasket	2	D-2583-00	D-2584-00	D-2582-00
6	Flange Bolt	*	B-1804-00	B-1804-00	B-1828-00
7	Body	1	Q-4526-19	Q-4527-19	Q-4534-19
8	Nameplate	1	I-4411-00	I-4411-00	I-4411-00
9	Drive Screw	2	I-2613-00	I-2613-00	I-2613-00
10	C.V. Seat O-Ring	2	D-2576-00	D-2567-00	D-2573-00
11	C.V. Seat	2	L-4637-05	L-4637-05	L-4640-05
12	C.V. Stem	2	G-3239-06	G-3239-06	G-3242-00
13	C.V. Stem O-Ring	2	D-2561-00	D-2561-00	D-2561-00
14	Retainer Nut	2	C-1756-00	C-1756-00	C-1756-00
15	Retainer Washer	2	E-2199-00	E-2199-00	E-2204-00
16	C.V. Seat Disc	2	D-2560-00	D-2560-00	D-2572-00
17	Seat Disc Holder	2	F-3000-05	F-3000-05	F-3001-05
18	1st Check Spring	1	A-1741-00	A-1741-00	A-1744-00
19	2nd Check Spring	1	A-1741-00	A-1741-00	A-1744-00
20	Spring Retainer	2	E-2198-05	E-2198-05	E-2202-05
21	Jam Nut	2	C-1589-05	C-1589-05	C-1589-05
22	Cap O-Ring	2	D-2566-00	D-2566-00	D-2574-00
23	C.V. Cap	2	Q-4530-19	Q-4530-19	Q-4533-19
24	Cap Bolt	12	B-1797-00	B-1797-00	B-1801-00
25	Test Cock	3	70-803-01	70-803-01	70-803-01

American
Backflow
Specialties



SERIES 40-100 Double Check Valve Assembly 6" to 10"

FEATURES

- Corrosion resistant
- Removable bronze seats
- Easy to install, repair and maintain
- Low head loss
- Replaceable discs
- Check valve assemblies interchangeable
- Maximum working pressure 175 psi
- Operating temperature range 33°F-140°F

DESCRIPTION

Series 40-100 Double Check Valve is designed to control cross connections between potable water lines and substances that are objectionable, but are not a health hazard. It is a compact, economical device that is easily repaired in-line.

The device consists of two independent spring loaded check valves in a corrosion resistant body. The unit is available with inlet and outlet shutoff valves. Four test cocks complete the assembly.

APPROVALS

ASSE 1015, AWWA, IAPMO, FM, CSA B64.5, IAPMO, UL, USC FCCC & HR (FM & UL approvals require OS&Y gate valves)

OPERATION

During normal flow conditions, the two check valves are held off their seats, supplying water downstream. Each check valve is designed to maintain a minimum of 1 psi across the valve during normal operation. If at any time the pressure downstream of the device increases to within 1 psi of supply pressure, both check valves will close to prevent a backflow condition from occurring.

MODELS

6"	40-10C
8"	40-10E
10"	40-10G



OPTIONS

Suffix #s

-01	Less gate valves
-02	With NRS gates
-03	With OS&Y gates

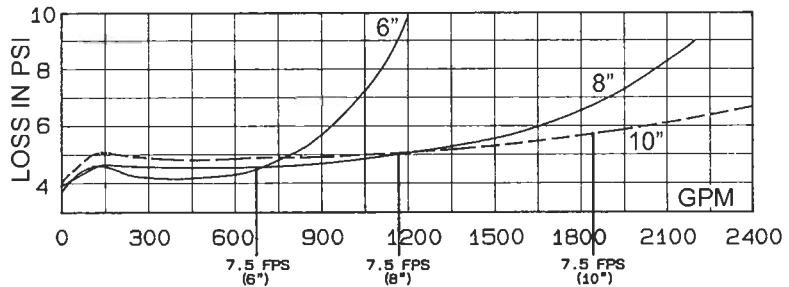
MATERIALS

Body and covers	Epoxy coated ductile iron
Springs	Stainless steel
Seats	Bronze
Check valve discs	EPDM
Fasteners	Stainless Steel

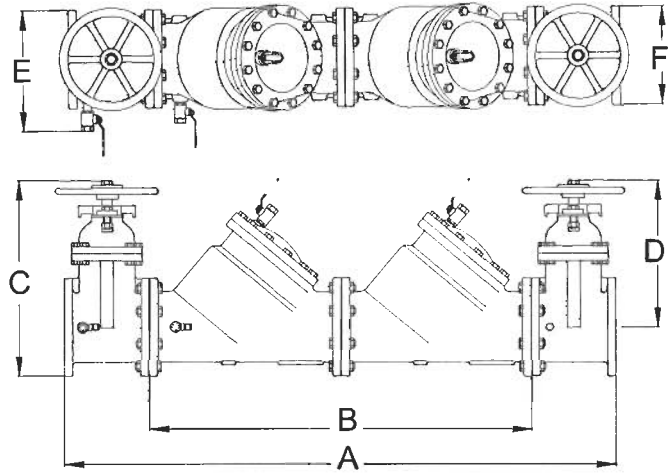
Series 40-100 (6" to 10")

FLOW CURVES

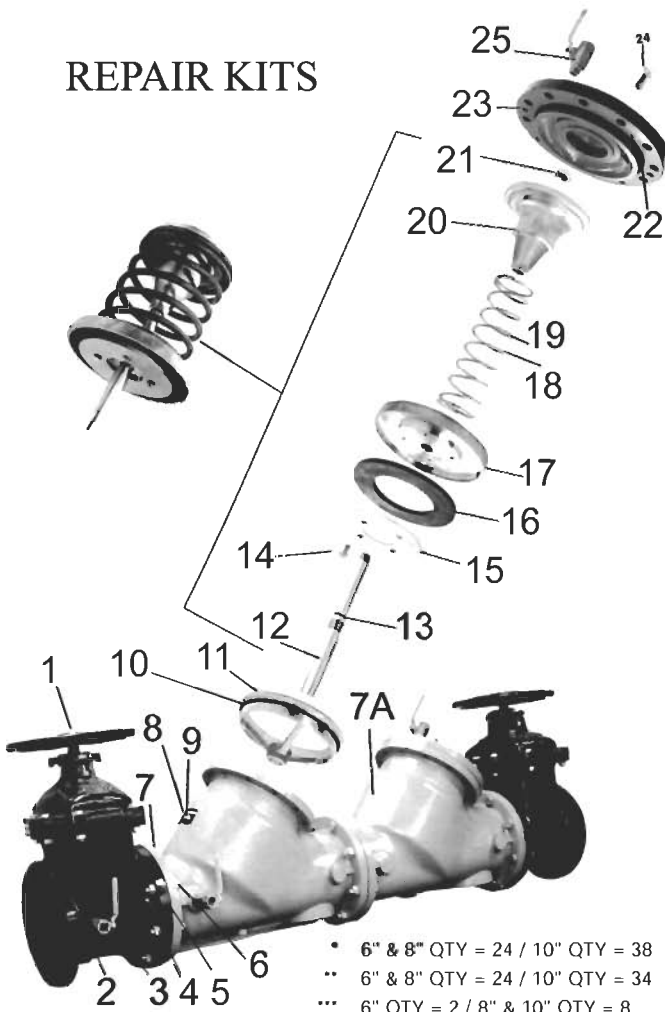
DIMENSIONS & WEIGHTS



Body Size	6"	8"	10"
A	63	75	88-1/4
B	42	52	62-1/16
C NRS	22-1/4	26-15/16	32-1/8
C OS & Y (OPEN)	35-5/8	44-1/2	56
D NRS	16-3/4	20-3/16	24-1/8
D OS & Y (OPEN)	30-1/8	37-3/4	48
E	14-5/8	16-3/4	19-1/4
F	11	13-1/2	16
Test Cocks	3/4x3/4 NPT	3/4x3/4 NPT	3/4x3/4 NPT
Net Wt. (Less Gate Valves)	389	625	1339
Net Wt. (With NRS Valves)	695	1065	2044
Net Wt. (With OS & Y Valves)	713	1120	2182
Shipping Wt. (Less Gate Valves)	487	795	1509
Shipping Wt. (w/NRS Valves)	793	1235	2214
Shipping Wt. (w/OS & Y Valves)	811	1290	2352



REPAIR KITS



- 6" & 8" QTY = 24 / 10" QTY = 38
- 6" & 8" QTY = 24 / 10" QTY = 34
- 6" QTY = 2 / 8" & 10" QTY = 8
- 6" QTY = 12 / 8" & 10" QTY = 24

ITEM	DESCRIPTION	QUANTITY	PART NO.		
			6"	8"	10"
Repair Kits					
	<u>Check Valve Repair Kit</u>	40-00C-02	40-00E-02	40-00G-02	
	(12, 13, 14, 15, 16, 17, 18, 20, 21, 22)				
	<u>Seat Repair Kit</u>	40-00C-03	40-00E-03	40-00G-03	
	(10, 11, 22)				
	<u>Rubber Repair Kit</u>	40-00C-04	40-00E-04	40-00G-04	
	2 each (10, 13, 16, 22)				
Parts					
1	Shut-Off Valve (OS&Y)	2	W-6825-00	W-6826-00	W-6859-00
1	Shut-Off Valve (NRS)	2	W-6744-00	W-6827-00	W-6858-00
2	Brass Nipple	1	K-3412-40	K-3412-00	K-3412-00
3	Test Cock	1	70-104-01	70-104-01	70-104-01
4	Flange Nut	*	C-1759-00	C-1759-00	C-1793-00
5	Ring Gasket	3	D-2579-00	D-2590-00	D-2653-00
6	Flange Bolt	**	B-1829-00	B-1857-00	B-1858-00
6A	Stud	2	N/A	N/A	B-2036-00
7	Body	1	Q-4536-19	Q-4544-19	Q-4573-19
7A	Body	1	Q-4591-19	Q-4593-19	Q-4595-19
8	Nameplate	1	I-4411-00	I-4411-00	I-4411-00
9	Drive Screw	2	I-2613-00	I-2613-00	I-2613-00
10	C.V. Seat O-Ring	2	D-2576-00	D-2589-00	D-2588-00
11	C.V. Seat	2	L-4644-05	L-4653-05	L-4759-05
12	C.V. Stem	2	G-3246-00	G-3273-00	G-3305-00
13	C.V. Stem O-Ring	2	D-2578-00	D-2587-00	D-2587-00
14	Retainer Nut/Bolt	***	C-1760-00	B-1754-00	B-1754-00
15	Retainer Washer	2	E-2205-00	E-2208-00	E-2229-00
16	C.V. Seat Disc	2	D-2575-00	D-2586-00	D-2649-00
17	Seat Disc Holder	2	F-3002-05	F-3008-05	F-3019-05
18	1st Check Spring	1	A-1746-00	A-1748-00	A-1779-00
19	2nd Check Spring	1	A-1746-00	A-1748-00	A-1779-00
20	Spring Retainer	2	E-2203-05	E-2207-05	E-2228-05
21	Jam Nut	2	C-1706-00	C-1763-00	C-1763-00
22	Cap O-Ring	2	D-2577-00	D-2588-00	D-2651-00
23	C.V. Cap	2	Q-4537-19	Q-4545-19	Q-4574-19
24	Cap Bolt	****	B-1800-00	B-1690-00	B-1881-00
25	Test Cock	3	70-804-01	70-804-01	70-804-01
N/S	Seat Bolt	12	N/A	N/A	B184900

**American
Backflow**

Specialties www.americanbackflow.com

(800) 66-BKFLO (619) 527-2525 Fax: (619) 527-2527