

SERIES 40-100 Double Check Valve Assembly 1/2" to 2"

FEATURES

- Corrosion resistant
- Easy to install, repair and maintain
- Low head loss
- Replaceable check modules
- Comes standard with Apollo® full port ball valves with stainless steel handles
- Maximum working pressure 175 psi
- Operating temperature range 33°F-180°F

DESCRIPTION

Series 40-100 Double Check Valve is designed to control cross connections between potable water lines and substances that are objectionable, but are not a health hazard. It is a compact, economical device that is easily repaired in-line.

The device consists of two independent spring loaded poppet check valves in a single bronze body. The unit has ball type test cocks and comes standard with ball type shutoff valves. All parts are corrosion resistant.

The check valves and springs are interchangeable for ease of repair and are easily field tested. This model is capable of horizontal or vertical installation.

APPROVALS

ASSE 1015, AWWA, IAPMO,
CSA B64.5, USC FCCC & HR

OPERATION

During normal flow conditions, the two check valves are held off their seats, supplying water downstream. Each check valve is designed to maintain a minimum of 1 psi across the valve during normal operation. If at any time the pressure downstream of the device increases to within 1 psi of supply pressure, both check valves will close to prevent a backflow condition from occurring.

MODELS

1/2"	40-103
3/4"	40-104
1"	40-105
1-1/4"	40-106
1-1/2"	40-107
2"	40-108

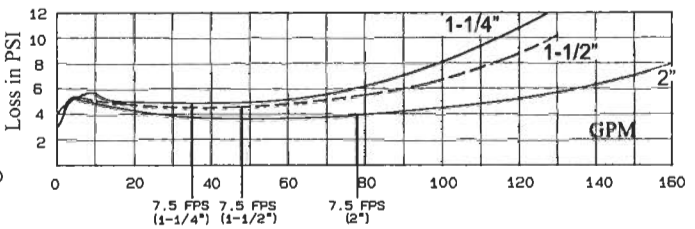
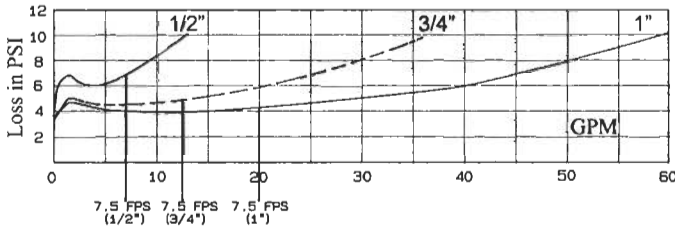


MATERIALS

Body and covers	Bronze
Springs	Stainless Steel
Poppets	Glass-Filled Celcon
Seat discs	Silicone Rubber
Replaceable seat	Glass-Filled Noryl
Fasteners	Stainless Steel

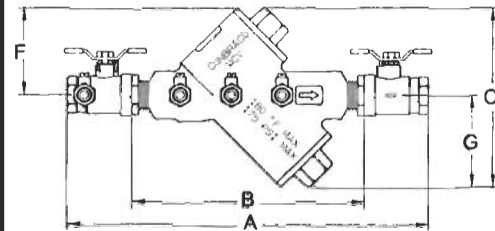
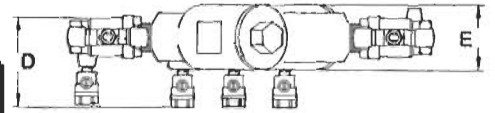
FLOW CURVES

40-100 Models 1/2" to 2"



DIMENSIONS & WEIGHTS

Body Size	1/2"	3/4"	1"	1-1/4"	1-1/2"	2"
A	9-3/16	12	12-3/4	16-3/4	18	18-5/8
B (w/o Ball Valves)	4-3/8	7	7	10-1/4	10-1/4	10-1/4
C	3-5/8	6-1/4	6-1/4	9	9	9
D	2-1/4	3-5/8	3-5/8	4-1/4	4-1/4	4-1/4
E	1-1/2	2-7/16	2-7/16	3-13/16	3-13/16	3-13/16
F	2-3/32	3-1/8	3-1/8	4-3/4	4-3/4	4-3/4
G	1-17/32	3-1/8	3-1/8	4-1/4	4-1/4	4-1/4
Test Cocks	1/8x1/4NPT	1/8x1/4NPT	1/8x1/4NPT	1/4x1/4NPT	1/4x1/4NPT	1/4x1/4NPT
Net Wt. (w/o Ball Valves)	2-1/4	5-1/2	6	17-1/2	15	15
Net Wt. (with Ball Valves)	3-3/4	8-1/2	9-1/2	23	24	27
Shipping Wt. (w/o Ball Valves)	2-1/2	6-1/2	7	19	16-1/2	17
Shipping Wt. (with Ball Valves)	4-1/4	9-1/2	10-1/2	24-1/2	25-1/2	29



REPAIR KITS

3/4" & 1" 1-1/4", 1-1/2", 2"

For repair kits without replaceable seat components, replace part number suffix designation "A" with "0". Example, Major Repair Kit part number 40-004-05.

Major Repair Kit

(4 (2), 5 (2), 6 (2), 7 (2), 8 (2), 10 (2), 11 (2)) 40-004-A5 40-007-A5

Check Valve Repair Kit

(4, 5, 6, 7, 8, 10, 11) 40-004-A2 40-007-A2

Rubber Repair Kit

(5 (2), 8 (2), 11 (2)) 40-004-A6 40-007-A6

Replaceable Seat Kit

(10 (2), 11 (2)) 40-004-A8 40-007-A8

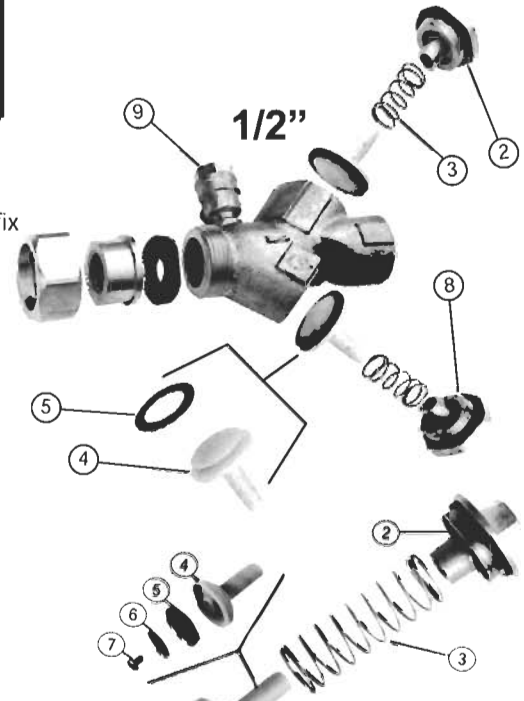
Major Repair Kit

(3 (2), 8 (2), part no. W-6759-06 (2)) 40-300-02

Rubber Repair Kit

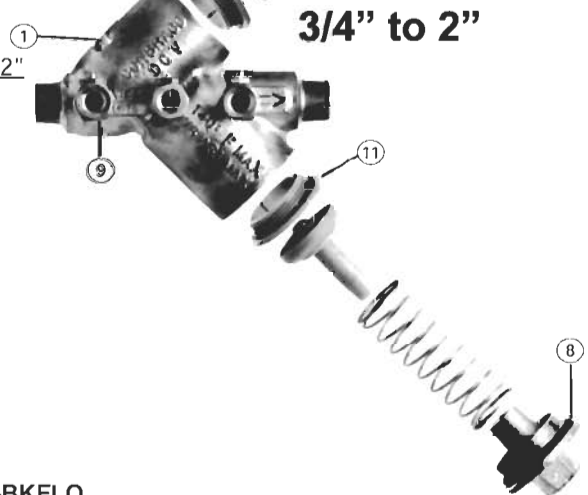
(5 (2), 8 (2)) 40-300-01

1/2"



PARTS

ITEM NO.	DESCRIPTION	QUANT	1/2"	3/4" & 1"	1-1/4", 1-1/2", 2"
1	Body	1	Call	Call	Call
2	Cap	2	F-3009-06	F-2981	F-2984
3	Spring	2	A-1750-00	A-1700	A-1701
4	Poppet	2	K-3404-00	K-3362	K-3367
5	Seat Disc	2	D-2600-00	D-2503	D-2508
6	Seat Retainer	2	-	D-2499	D-2509
7	Screw	2	-	B-1750	B-1750
8	Cap O-Ring	2	D-2501-00	D-2500	D-2510
9	Test Cock	3	78-257-01	78-257-01	78-258-01
10	Check Seat	2	-	L-4864	L-4866
11	Check O-Ring	2	-	D-2274	D-2565



3/4" to 2"

American Backflow Specialties

www.americanbackflow.com

(800) 66-BKFLO

(619) 527-2525

Fax: (619) 527-2527