

SERIES 40-600 Double Check Detector Assembly 3" & 4"

OPERATION

If during normal flow conditions the pressure downstream of the device increases above supply pressure, both check valves close to prevent a backflow condition from occurring. If the first check cannot close, the second valve still protects against backflow.

The line and bypass double checks stay closed during a no flow condition. If there is a low flow demand (up to 3 gpm), which may be caused by system leak or unauthorized use, flow is routed through the water meter for monitoring. Higher flow opens the main line double check and water continues to flow in the bypass at a rate below capacity.



FEATURES

- Corrosion resistant
- Removable bronze seats, replaceable discs
- Internal sensing passage
- Low head loss
- Easy to maintain, corrosion resistant
- Standard with Apollo® full port ball valves
- Maximum working pressure 175 psi
- Operating temperature range 33°F-140°F

DESCRIPTION

Series 40-600 Double Check Detector Assembly is designed to provide double check protection against cross connection of potable water lines and substances that are objectionable, but not a health hazard. It offers precise monitoring to detect leakage or unauthorized water use.

The unit consists of two independently acting, spring-loaded swing type check valves with inlet and outlet resilient wedge gate valves and a bypass assembly consisting of a water meter, double check valve assembly with shut-off valves and test cocks.

APPROVALS

ASSE 1048, USC FCCC & HR, FM, UL
*UL & FM require OS&Y gate valves.

MODELS

3"	40-600
4"	40-60A

OPTIONS (Suffix)

Less gate valves (-01), with OS&Y gates (-03)

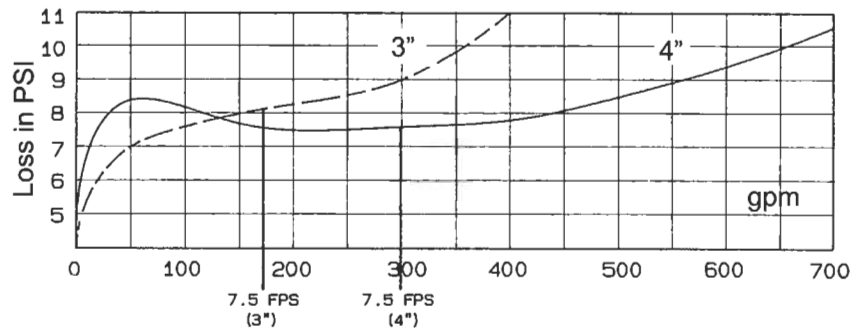
MATERIALS

Body	Epoxy Coated Ductile Iron
Springs	Stainless Steel
Discs - Mainline	EPDM
- Bypass	Silicone
Bypass components	Bronze
Seats	Bronze
Fasteners	Stainless Steel
Test cocks (both)	Bronze

FLOW CURVES

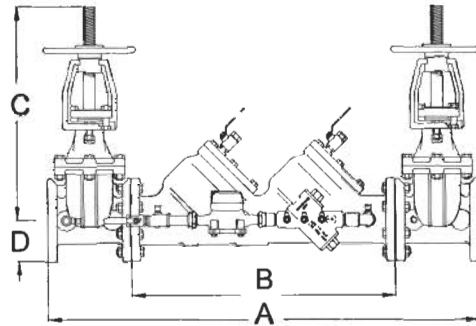
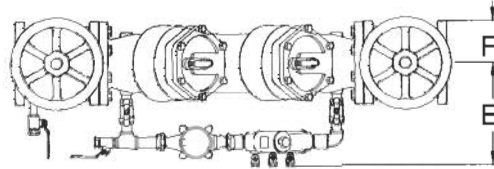
40-600

3" & 4"

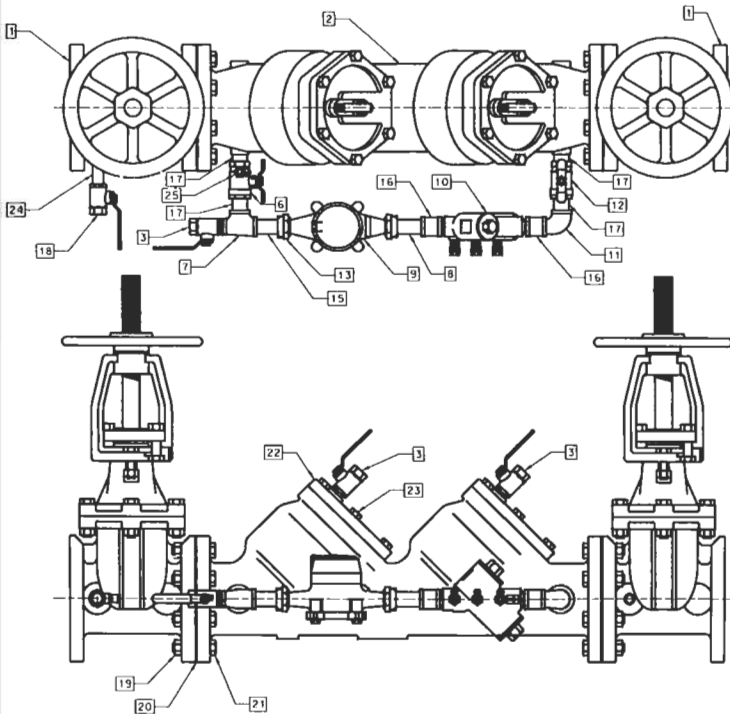


DIMENSIONS & WEIGHTS

Size	3"	4"
A	38-1/16	46-3/4
B	22-1/16	28-3/4
C (OS & Y) OPEN	22-1/16	23-3/16
D	3-3/4	4-1/2
E	9-1/4	10-1/2
F	3-3/4	4-1/2
Test Cocks (line)	1/2" NPT	1/2" NPT
Test Cocks (by-pass)	1/4" NPT	1/4" NPT
Net Wt. (Less Gate Valves)	97	161
Net Wt. (With OS & Y Valves)	234	367
Shipping Wt. (Less Gate Valves)	161	225
Shipping Wt. (With OS & Y Valves)	298	431



REPAIR PARTS (3" & 4")



ITEM NO.	DESCRIPTION	QUANTITY	PART NO.	
			3"	4"
1	Gate Valve (OS&Y)	2	W679000	W682400
2	DCDA Body	1	Q471619	Q460919
3	Test Cock	3	7080301	7080301
N/S	1st Chk Poppet Ass'y	1	W710705	W710005
N/S	2nd Chk Poppet Ass'y	1	W671805	W673105
6	By-Pass Shut-Off Valve	1	7B10401	7B10401
7	Tee, Reducing	1	K350600	K350600
8	Coupling, Water Meter	1	K350500	K350500
9	Water Meter in Cubic Feet	1	W706200	W706200
9	Water Meter in Gallons	1	W709400	W709400
10	3/4" DCV	1	W378905	W738905
11	Elbow, Street	*	K350200	K350200
12	By-Pass Shut-Off Valve	1	7B10431	7B10431
13	Swivel Nut	1	N/A	C186705
N/S	Washer, Meter	1	N/A	D261000
15	Coupling	1	N/A	K379106
16	3/4" Coupling	2	N/A	K350400
17	Nipple, Close	**	K337000	K337000
18	Test Cock	1	7010301	7010301
19	Flange Nut	***	C143800	C143800
20	Flange Gasket	2	D258400	D258200
21	Flange Bolt	***	B180400	B182800
22	Cap	2	Q453019	Q453319
23	Cap Bolt	12	B179700	B180100
24	Nipple	1	K340600	K340600
25	Test Cock	1	7825701	7825701
N/S	Nipple, 3/4" x 3" Lg.	2	K341200	N/A
N/S	Elbow, 3/4" - 90°	1	K350100	N/A
N/S	Cap O-Ring	2	D256600	D257400
N/S	Seat O-Ring	2	D256700	D257300
N/S	Nameplate	1	I484600	I484600
N/S	Nameplate Tack	2	I529400	I529400
N/S	Plug, 1/2"	1	K300800	K300800
N/S	Instruction Booklet	1	I476700	I476700
N/S	Check Valve Seat	2	L463705	L464005
N/S	Meter to DCV Adapter	1	L522806	N/A

NOTE: For repair kits and parts for the main body, see Series 40-100 parts page.

* 3" QTY = 3 / 4" QTY = 1
 ** 3" QTY = 2 / 4" QTY = 4
 *** 3" QTY = 8 / 4" QTY = 16

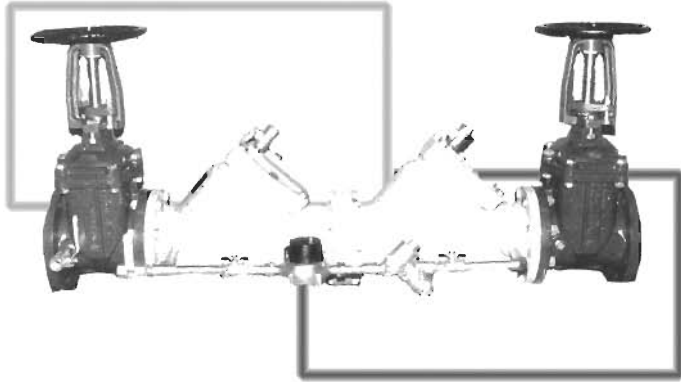
American Backflow Specialties

www.americanbackflow.com

(800) 66-BKFLO

(619) 527-2525

Fax: (619) 527-2527



SERIES 40-600 Double Check Detector Assembly 6" to 10"

OPERATION

If during normal flow conditions the pressure downstream of the device increases above supply pressure, both check valves close to prevent a backflow condition from occurring. If the first check cannot close, the second valve still protects against backflow.

The line and bypass double checks stay closed during a no flow condition. If there is a low flow demand (up to 3 gpm), which may be caused by system leak or unauthorized use, flow is routed through the water meter for monitoring. Higher flow opens the main line double check and water continues to flow in the bypass at a rate below capacity.



FEATURES

- Corrosion resistant
- Removable bronze seats, replaceable discs
- Internal sensing passage
- Low head loss
- Easy to maintain, corrosion resistant
- Test cocks for in-line testing
- Maximum working pressure 175 psi
- Operating temperature range 33°F-140°F

DESCRIPTION

Series 40-600 Double Check Detector Assembly is designed to provide double check protection against cross connection of potable water lines and substances that are objectionable, but not a health hazard. It offers precise monitoring to detect leakage or unauthorized water use.

The unit consists of two independently acting, spring-loaded swing type check valves with inlet and outlet resilient wedge gate valves and a bypass assembly consisting of a water meter, couple check valve assembly with shut-off valves and test cocks.

APPROVALS

ASSE 1048, USC FCCC & HR, FM, UL
*UL & FM require OS&Y gate valves.

ORDERING INFO

40 - 60 X - X X

C - 6	1 - Less gate valves
E - 8"	3 - With OS & Y gate valves
G - 10"	C - With meter in cubic feet
	E - With meter in gallons
	G - Less water meter

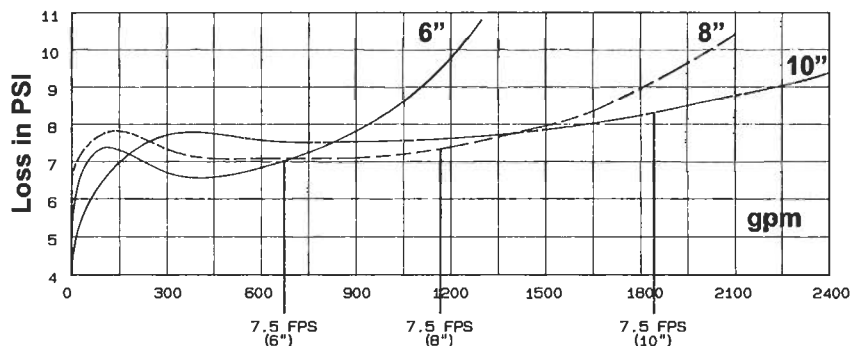
MATERIALS

Body	Epoxy Coated Ductile Iron
Bypass body	Bronze
Springs	Stainless Steel
Discs - Mainline	EPDM
- Bypass	Silicone
Bypass components	Bronze
Seats	Bronze
Fasteners	Stainless Steel
Test cocks (both)	Bronze

FLOW CURVES

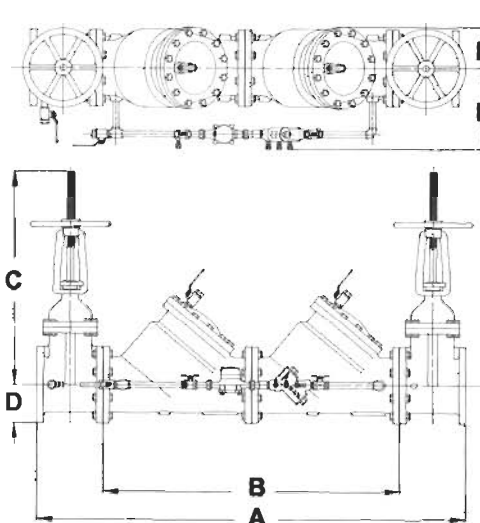
40-600

6" - 10"

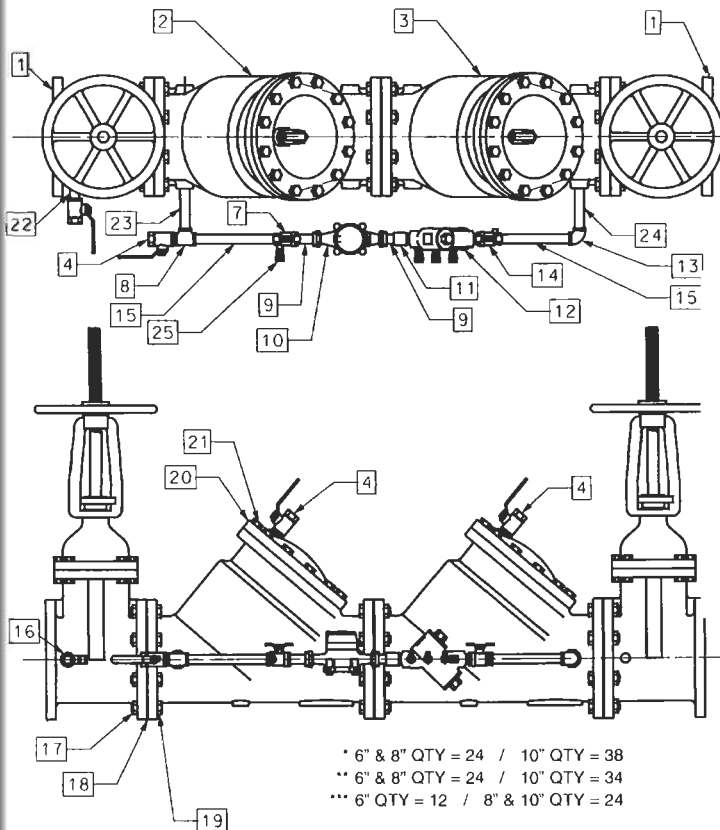


DIMENSIONS & WEIGHTS

Size	6"	8"	10"
A	63	75	88-1/4"
B	42	52	62-1/16"
C (OS & Y) OPEN	30-1/8	37-3/4	48
D	5-1/2	6-3/4	8
E	13-1/4	14-3/4	17-1/2
F	5-1/2	6-3/4	8
Test cocks (line)	3/4" NPT	3/4" NPT	3/4" NPT
Test cocks (by-pass)	1/4" NPT	1/4" NPT	1/4" NPT
Net Wt. (less gate valves)	409	647	1364
Net Wt. (with OS & Y valves)	733	1142	2207
Shipping Wt. (less gate valves)	507	817	1534
Shipping Wt. (with OS & Y valves)	831	1312	2377



REPAIR PARTS (6" to 10")



* 6" & 8" QTY = 24 / 10" QTY = 38
 ** 6" & 8" QTY = 24 / 10" QTY = 34
 *** 6" QTY = 12 / 8" & 10" QTY = 24

ITEM	DESCRIPTION	QTY	PART NO.		
			6"	8"	10"
1	Gate Valve (OS&Y)	2	W682500	W682600	W685900
2	Body (1st Check)	1	Q453619	Q454419	Q457319
3	Body (2nd Check)	1	Q459119	Q459319	Q459519
4	Test Cock	3	7080401	7080401	7080401
N/S	1st Chk Poppet Ass'y	1	W706605	W708505	W711305
N/S	2nd Chk Poppet Ass'y	1	W674205	W674605	W685705
7	By-Pass Shut-Off Valve	1	7B10401	7B10401	7B10401
8	Tee, 3/4" NPT	1	K351100	K351100	K351100
9	Coupling, Water Meter	2	K350500	K350500	K350500
10	Water Meter in Cubic Feet	1	W706200	W706200	W706200
10	Water Meter in Gallons	1	W709400	W709400	W709400
11	Coupling, 3/4"	1	K350400	K350400	K350400
12	3/4" DCV	1	W738905	W738905	W738905
13	Elbow, 3/4" NPT	1	K350100	K350100	K350100
14	By-Pass Shut-Off Valve	1	7B10431	7B10431	7B10431
15	Nipple, 3/4" NPT	2	K350900	K352700	K356000
16	Test Cock	1	7010401	7010401	7010401
17	Flange Nut	*	C175900	C175900	C179300
18	Flange Gasket	3	D257900	D259000	D265300
19	Flange Bolt	**	B182900	B185700	B185800
20	Cap	2	Q453719	Q454519	Q457419
21	Cap Bolt	***	B180000	B169000	B188100
22	Nipple, 3/4" NPT	1	K341200	K341200	K341200
23	Nipple, 3/4" x 5-1/2" Lg.	1	K350900	K350900	K350900
24	Nipple, 3/4" NPT	1	K350900	K350900	K355900
25	Test Cock	1	7825701	7825701	7825701
N/S	Elbow, 3/4" - 90°	1	K350100	K350100	K350100
N/S	Cap O-Ring	2	D257700	D258800	D265100
N/S	Seat O-Ring	2	D257600	D258900	D258800
N/S	Nameplate	1	I484600	I484600	I484600
N/S	Nameplate Tack	2	I529400	I529400	I529400
N/S	Plug, 1/2"	1	K300800	K300800	K300800
N/S	Instruction Booklet	1	I476700	I476700	I476700
N/S	Check Valve Seat	2	L464405	L465305	L475905
N/S	Stud	2	N/A	N/A	B203600
N/S	Seat Bolt	12	N/A	N/A	B184900

American Backflow Specialties

NOTE: For repair parts and kits for the main valve body, see model 40-100 parts pages.