

## SERIES DC (4S-100) Double Check Valve 2-1/2" to 10"

### MODELS

4S-1XX-0X-U			
0 - Standard	9 - 2-1/2"	1 - less gate valves	90° Elbows Optional
1 - w/ Y-strainer (shipped loose)	0 - 3"	2- w/ NRS gate valves	
	A - 4"	3- w/ OS&Y gate valves	
	C - 6"	5- w/ Epoxy coated ball valves	
	E - 8"	6- w/ OS&Y gate valve on inlet, NRS gate valve w/ post plate and nut on outlet	
	G - 10"		

### FEATURES

- Replaceable Discs
- Economical & lightweight
- Corrosion resistant
- Low head loss
- Short lay length
- Designed for easy maintenance
- Check valve assemblies interchangeable
- Maximum working pressure 175 psi
- Operating temperature range 33°F - 140°F

### DESCRIPTION

Model DC is designed to control cross-connections between potable water lines and substances that are objectionable, but not a health hazard. Easily repaired in the line, the device consists of two independently acting, spring-loaded swing type check valves in a ductile iron body. The unit is available with inlet and outlet shutoff valves and four test cocks.

### APPROVALS

ASSE 1015, FM, UL Classified, and USC's FCCC&HR. UL and FM approved backflow preventers must include OS&Y gate valves.

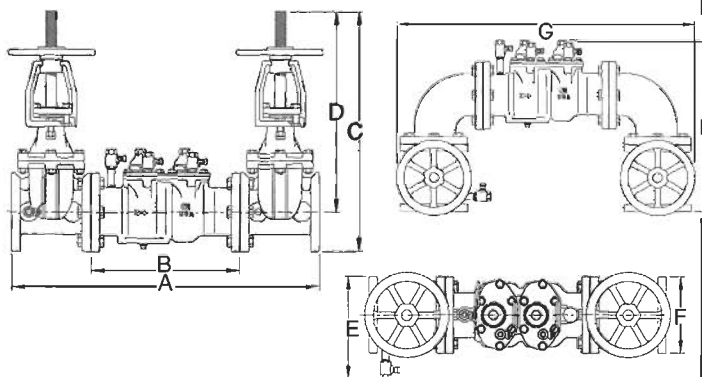
### OPERATION

During normal flow conditions, the two check valves are held off their seats, supplying water downstream. Each check maintains a minimum of 1 psi across the valve during normal operation. If the pressure downstream increases to within 1 psi of supply pressure, the checks close to prevent backflow.



### MATERIALS

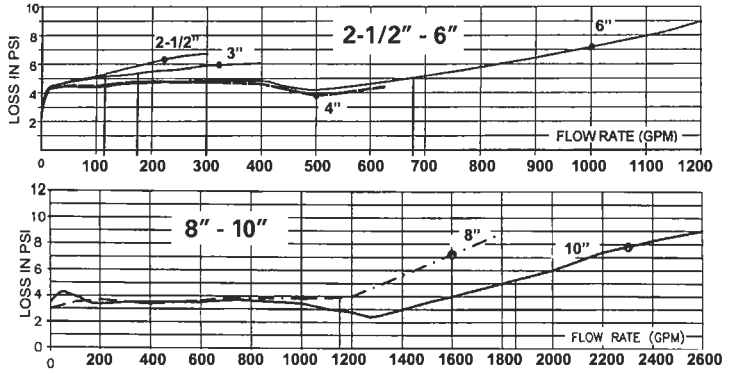
Body and Covers	Ductile Iron
Springs	Stainless Steel
Covers	Epoxy-coated Steel
Seats	Glass-Filled Noryl
CV Discs	EPDM
Fasteners	Stainless Steel



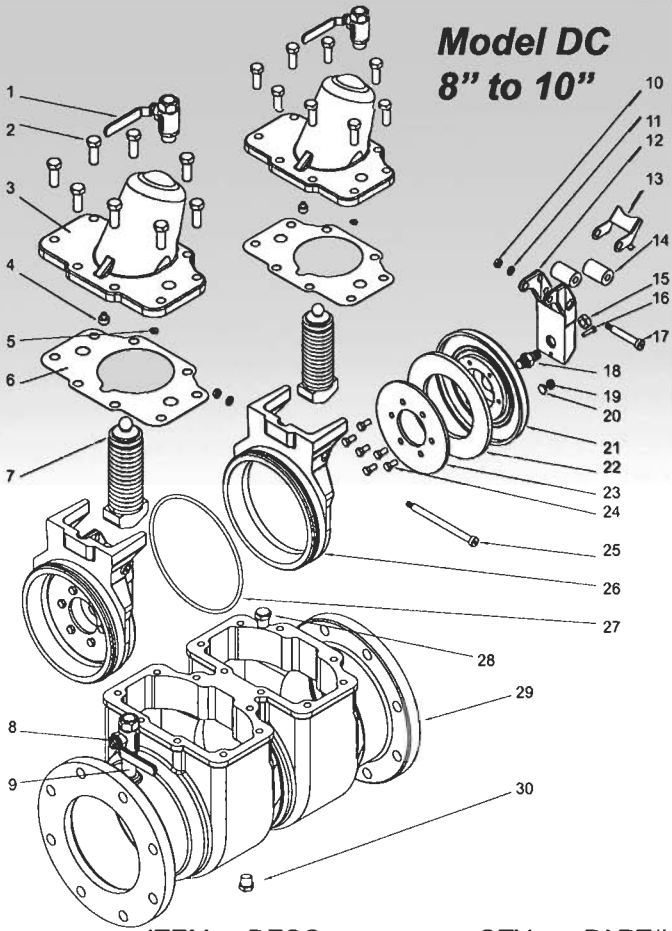
DIMENSIONS & WEIGHTS						
	2-1/2"	3"	4"	6"	8"	10"
A	32	33	34-1/2	39	50	55-1/2
B	17	17	16-1/2	18	27	29-1/2
C - NRS	11-3/8	12-3/8	14-3/4	19	22-1/2	26-1/2
C - OS&Y open	17	19	22-3/4	30-1/8	37-3/4	46-3/4
D	9-5/8	10-3/8	11-7/8	14-5/8	17	19-1/2
E	7	7-1/2	9	11	13-1/2	16
F	27-1/8	28-1/8	29-5/8	34-1/8	45-1/8	51-5/8
G	19-7/8	20-7/8	22-7/8	25-7/8	35	38-1/4
Wt. (w/o GV's)	58	60	68	80	420	470
Wt. (NRS)	153	186	254	376	856	1175
Wt. (OS&Y)	164	194	266	392	920	1320
Wt. (NRS & elbows)	189	237	339	511	1085	1548
Wt. (OS&Y & elbows)	200	245	351	527	1148	1693
Wt. (BVs)	126	136	184	388	1105	N/A

# FLOW CURVES

# Model DC



## Model DC 8" to 10"

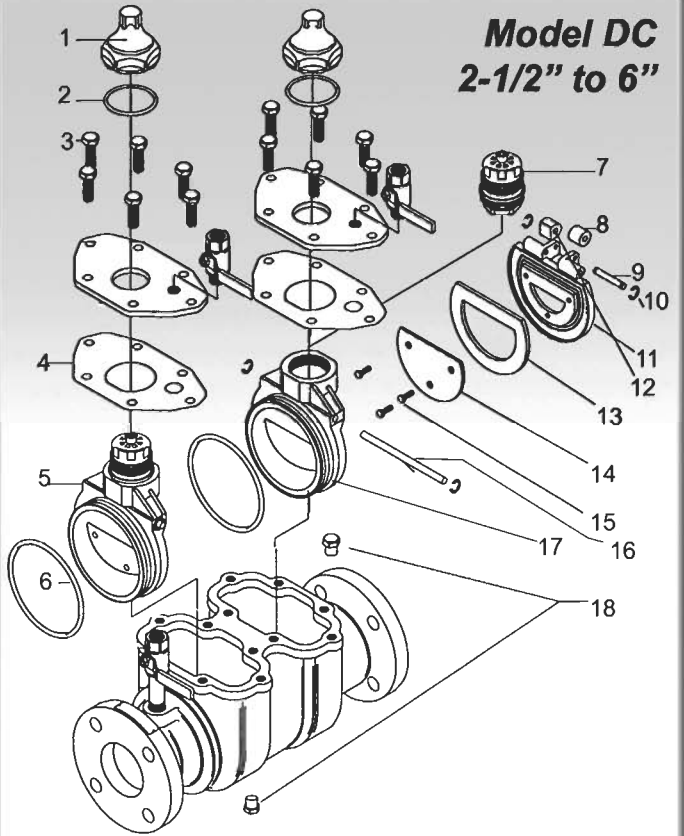


ITEM	DESC	QTY	PART#
<b>MAJOR CHECK VALVE REPAIR KIT (6, 7, 10-27) 4S-00E-02</b>			
<b>RUBBER REPAIR KIT (6, 22, 27) 4S-00E-04</b>			
<b>MAJOR CHECK VALVE REPAIR KIT (6, 10 - 27) 4S-00E-06</b>			

ITEM	DESC	QTY	PART#
1	Testcock	2	70-804-01
2	Cover Bolt	16	B-1800-00
3	Cover	2	Q-5624-19
4	Pilot Pin	2	I-6411-06
5	Cam Bumper	2	I-6412-06
6	Gasket	2	D-3964-00
7	Spring Assembly	2	W-4373-05
8	Testcock	1	70-104-01
9	3/4" Nipple	1	K-3412-00
10	Nut	2	C-2039-00
11	Lock Washer	2	E-2276-00
12	Swing Arm	2	F-3235-05
13	Cam Positioner	2	I-6441-00
14	Cam Roller	4	I-6410-00
15	Stem Nut	2	C-2040-00
16	Compensator Bolt	2	B-2183-00
17	Roller Pin	2	B-2518-00
18	Check Stem	2	G-3980-06
19	Compensator Spring	2	A-1459-00
20	Spring Button	2	E-2497-06
21	Seat Retaining Disc	2	F-3225-05
22	Seat Disc	2	D-3961-00
23	Disc Retaining Plate	2	E-2494-00
24	Disc Retaining Screw	12	B-1754-00
25	Hinge Pin	2	B-2517-00
26	Seat	2	L-6137-05
27	Seat O-ring	2	D-3963-00
28	Body	1	Call
29	3/4" Plug	1	K-3010-00
30	1/2" Drain Plug	1	K-3008-00

**REPAIR KITS & PARTS**

## Model DC 2-1/2" to 6"



ITEM	DESC	QTY	PART#
<b>Major Repair Kit (2, 4, 5, 6) 4S-009-01</b>			
<b>Rubber Repair Kit (2, 4, 6, 12, 13) 4S-009-02</b>			

ITEM	DESC	QTY	PART#
1	Spring Cup	2	S-4877-00
2	O-Ring	2	D-3506-00
3	Cover Bolt	12	B-2083-00
4	Gasket	2	D-3505-00
5	Check Assembly	2	W-7590-05
6	O-Ring	2	D-3507-00
7	Spring Assembly	2	W-8393-00
8	Roller	2	I-5866-00
9	Roller Pin	2	I-5867-06
10	"E" Clip	4	I-3144-00
11	Seat Disc Retainer	2	G-3769-00
12	Hinge Bushing	2	D-3685-00
13	Seat Disc	2	D-3504-00
14	Disc Retaining Plate	2	E-2379-00
15	Disc Retaining Screw	6	B-1793-00
16	Hinge Pin	2	I-5868-06
17	Seat Housing	2	F-3090-00
18	Plug	2	K-3008-00