



## Model 710/715 (1/2"-2") Atmospheric Vacuum Breaker



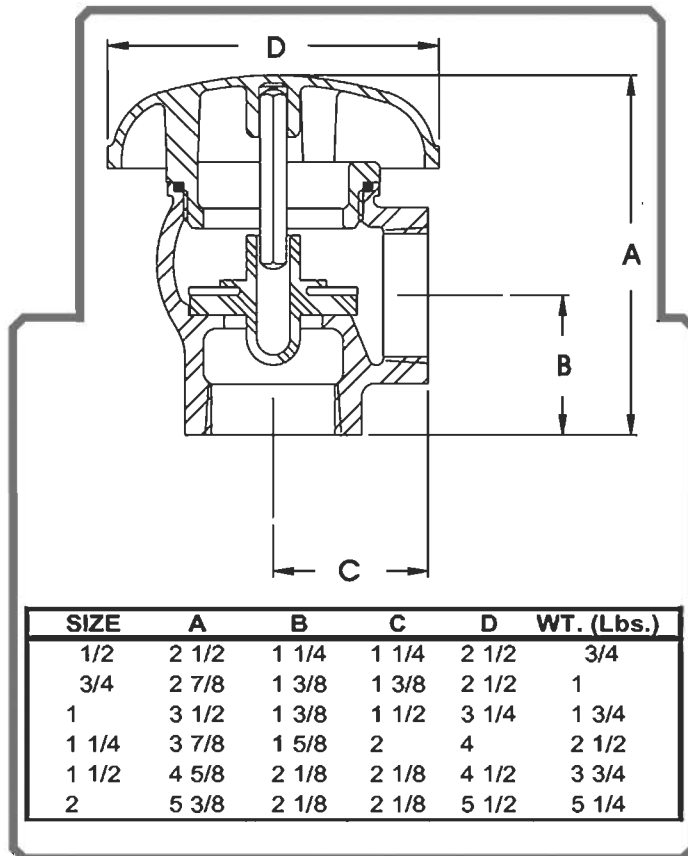
### FEATURES

- Simple service procedures.
- Light weight plastic poppets.
- Resilient rubber poppet discs designed for positive closure.
- Cold water applications.

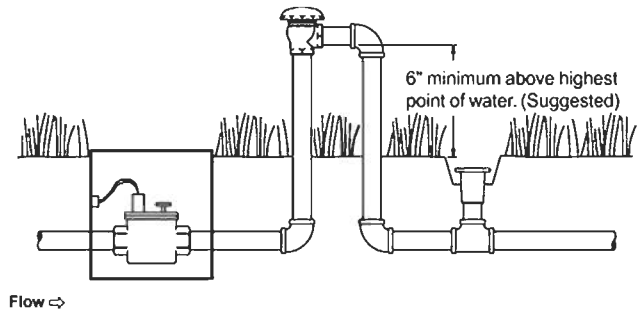
### APPLICATIONS

- Hose bibbs
- Chemical vats
- X-ray tanks
- Turf irrigation systems
- Laboratory sinks

### DIMENSIONS & WEIGHTS



NOTE: Unit cannot have any shut-off downstream of it



### INSTALLATION

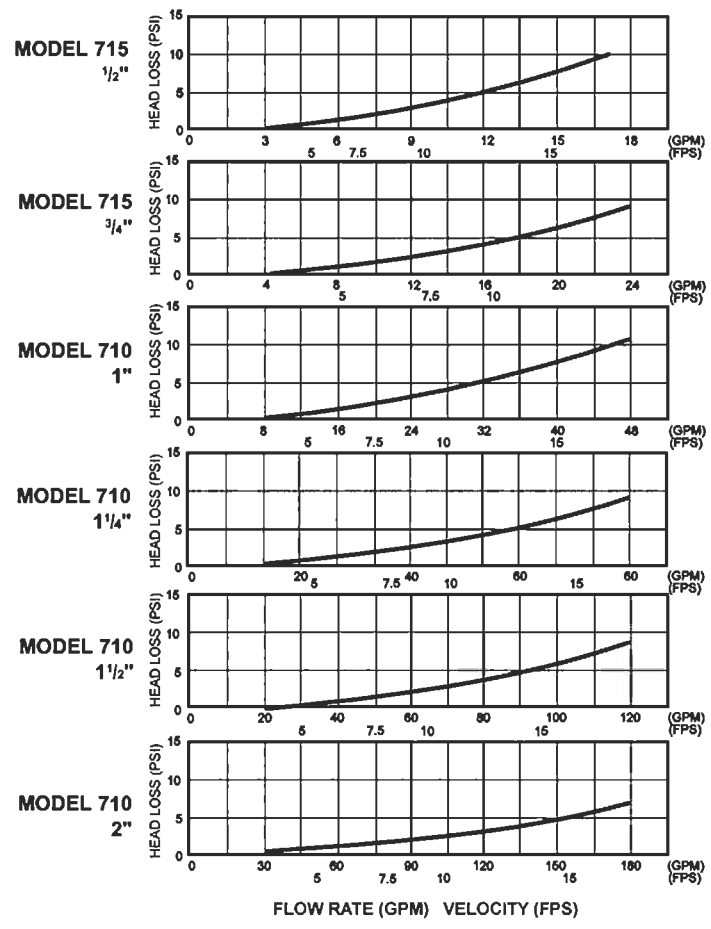
An Atmospheric Vacuum Breaker may be used to protect a cross connection against back siphonage, where the vacuum breaker is not subjected to back pressures due to pumps or any other conditions which may cause back pressure, no matter how slight. It must be installed on the discharge side of the last shut-off valve. Code requirements vary as to the height this vacuum breaker must be installed above the highest overflow level but a minimum of 6" is required. The atmospheric vacuum breaker must be installed with the air inlet in a level position.

# MODEL 710 / 715

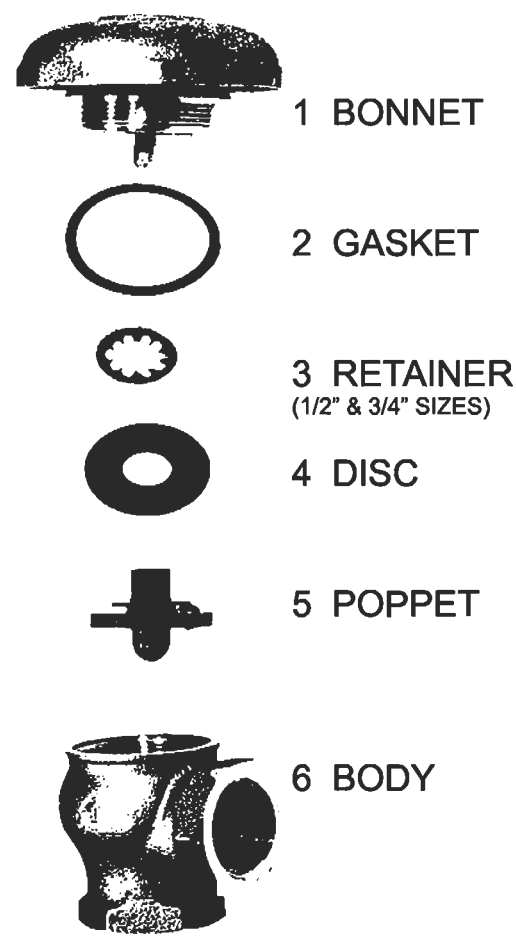
## APPROVALS

- ASSE (Std. 1001)
- CSA B64.1.1 Certified
- IAPMO® Listed

## FLOW CURVES



## PARTS & REPAIR KITS



## MATERIALS & CHARACTERISTICS

Maximum working pressure	150 PSI (1034 KPa)
Hydrostatic test pressure	150 PSI (1034 KPa)
Temperature range	710 (1"-2") 32°F to 110°F
	715 (1/2"-3/4") 32°F to 180°F
Fluid	Water
End detail	1PT thread ANSI B2.1
Valve body	Bronze
Elastomers	Nitrile
Poppet	Acetal/Polypropylene
	1/2, 3/4, 1, 1 1/4, 1 1/2, 2

## REPAIR KITS

#	DESCRIPTION	1/2"- 3/4"	1"	1-1/4"	1-1/2"	2"
1	Bonnet - R.B.	901-217	901-250	901-251	901-252	901-253
2	Bonnet - P.C.	901-219				
3	Repair Kit (Includes 2,3,4,5)	905-046	901-549	901-550	901-551	901-552