



Model 766 Pressure Vacuum Breaker 1/2" to 1"



Features

- All bronze body for durability. One check valve and an air opening port in one assembly.
- Lightweight poppet seals air opening under minimum flow conditions.
- Simple service procedures. All internals serviceable in-line from the top of the unit.
- Designed for minimum head loss.
- Engineered plastic bonnet and poppet protect valve bodies from freeze damage.

Operation

Febco 766 PVB provides protection from back-siphonage of toxic or non-toxic liquids. Its spring loaded check closes when the pressure drops below 1 PSI or at zero flow, plus, an air relief valve opens to break a siphon when the pressure drops to 1 PSI.

Pressure - Temperature

Rated to 150 PSI working pressure and water temperature from 32°F to 140°F.

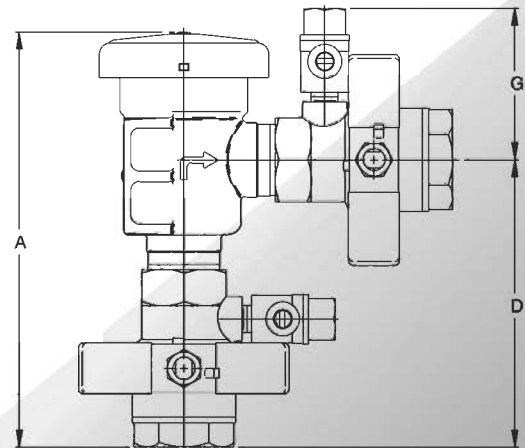
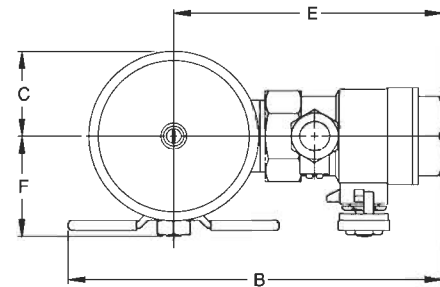
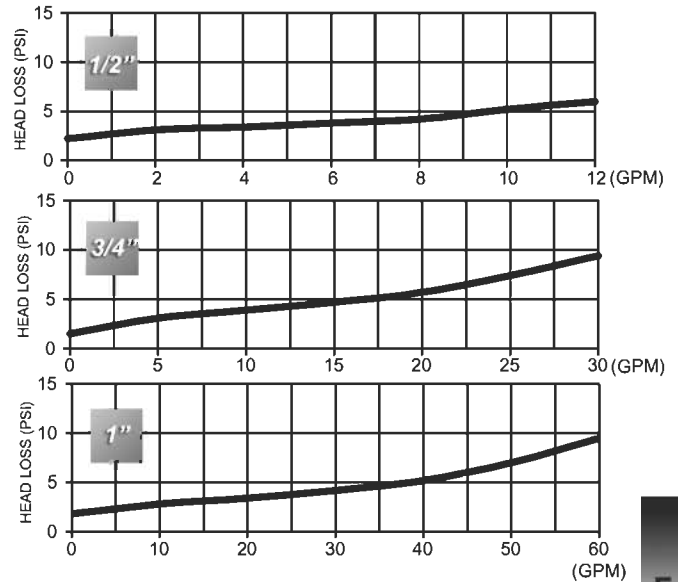
Approvals

ASSE Listed (Std 1020)

Dimensions & Weights

SIZE	A	B	C	D	E	F	G	Lbs
1/2	6	5 1/6	1 1/4	4	3 7/8	1 4/9	2 3/8	2.4
3/4	6 2/7	5 3/4	1 1/4	4 1/4	4 1/6	1 5/8	2 3/8	3.0
1	7 2/7	6 1/2	1 2/3	5	4 3/4	1 6/7	2 3/7	5.0

Flow Curves



Model 766

Characteristics and Materials

Maximum working pressure: 150 psi
 Hydrostatic test pressure: 300 psi
 Temperature range: 32°F to 140°F
 Fluid: Water
 End detail: Threaded ANSI B2.1
 Main valve body: Bronze
 Elastomers: Silicone

Repair Kits

Rubber Kit

Size:	1/2	3/4	1
Part No.:	905-360	905-360	905-361
Kit Includes:			
Item	Description	Qty.	
2.1	O-Ring	1	
3.1	O-Ring	1	
10.1	O-Ring	1	

Poppet Kit

Size:	1/2	3/4	1
Part No.:	905-362	905-362	905-363
Kit Includes:			
Item	Description	Qty.	
2.1	O-Ring	1	
10	Poppet	1	
10.1	O-Ring	1	

Seat Kit

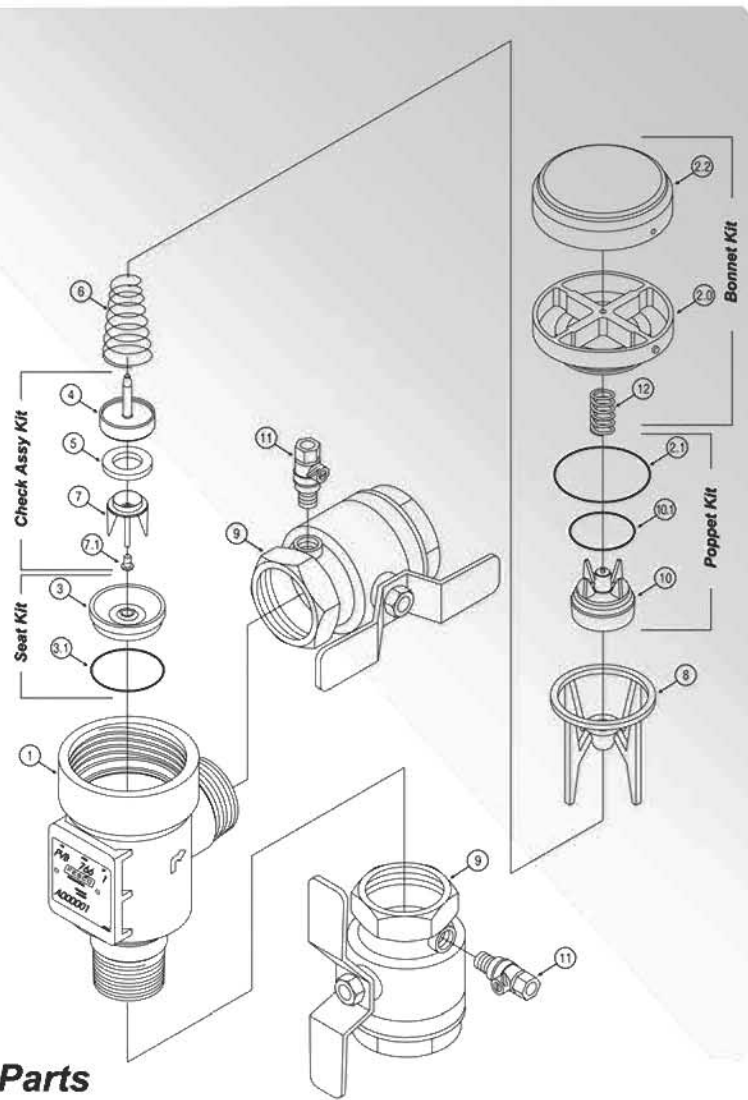
Size:	1/2	3/4	1
Part No.:	905-364	905-364	905-365
Kit Includes:			
Item	Description	Qty.	
3	Seat Ring	1	
3.1	O-Ring	1	

Check Assembly Kit

Size:	1/2	3/4	1
Part No.:	905-366	905-366	905-367
Kit Includes:			
Item	Description	Qty.	
4	Disc Holder	1	
5	Seat Disc	1	
7	Guide	1	
7.1	Pan HD Screw	1	

Bonnet Kit

Size:	1/2	3/4	1
Part No.:	905-368	905-368	905-369
Kit Includes:			
Item	Description	Qty.	
2	Bonnet	1	
2.1	O-Ring	1	
2.2	Canopy	1	
12	Air-Inlet Spring	1	



Parts

Item	Description	Qty.	1/2	3/4	1
1	Body	1	110120	110121	110122
2	Bonnet	1	500402	500402	500403
2.1	Bonnet O-Ring	1	39602770	39602770	39613370
2.2	Canopy	1	500400	500400	500401
3	Seat Ring	1	500408	500408	500409
3.1	Check O-Ring	1	39602570	39602570	39613070
4	Disc Holder	1	500406	500406	500407
5	Seat Disc	1	410139	410139	410140
6	Check Spring	1	630160	630160	630179
7	Guide	1	500410	500410	500411
7.1	Pan HD Screw	1	700158	700158	700159
8	Retainer	1	500404	500404	500405
9	Ball Valve Tapped	2	781244	781053	781054
10	Poppet	1	500412	500412	500413
10.1	Poppet O-Ring	1	39602170	39602170	39612470
11	Testcock	2	781074	781074	781074
12	Air-Inlet Spring	1	630161	630161	630180

Some of the above items are only sold as part of a repair kit.