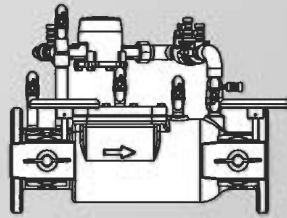
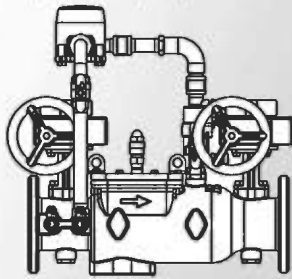


2 1/2", 3", 6", 8", 10"



4" Model 831H

FEBCO
BACKFLOW PREVENTION

Model 831 Double Check Detector Assembly 2-1/2" to 10"

Application

The new **MicroSeries Model 831 Double Check Detector** with integral butterfly shut-offs is very compact and has modular checks for ease of service. It is used in non-health hazard (nontoxic) connections including fire sprinkler and standpipe systems requiring detection of unauthorized water use.

Characteristics and Materials

Maximum Working Pressure:	175 PSI
Hydrostatic Test Pressure:	350 PSI
Temperature Range:	32°F to 140°F
Fluid:	Water
End Detail:	Flanged ANSI B16.1 Class 125 Din PN-16 AS 2129 Style "E" (optional) Groove per AWWA C606 steelpipe size
Main Valve Body:	Ductile iron ASTM A-536 grade 65-45-12
Main Valve Trim:	Stainless steel
Internal Check Modules:	Stainless steel
Elastomers:	Silicone rubber
Springs:	Stainless steel
Shut-Off Valves:	Rubber seated internal butterfly valves, gear with tamper switch
Coating:	Fusion epoxy coated internal and external, AWWA C550-90.

Options

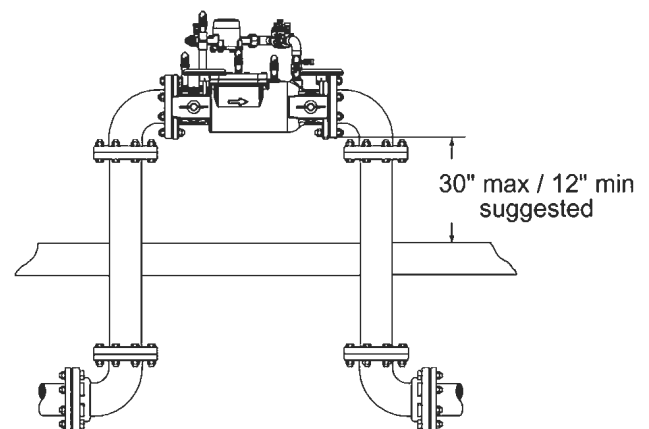
- Gear Operator
- Gear Operator with Tamper Switch

Features

- Short lay length
- Integral butterfly shut-offs
- Low head loss
- Light weight
- Low Lead
- Modular check design
- Easy to service and install
- Top entry and upward facing testcocks for ease of testing and maintenance

Installation

FEBCO Model 831
Outdoor Horizontal Installation



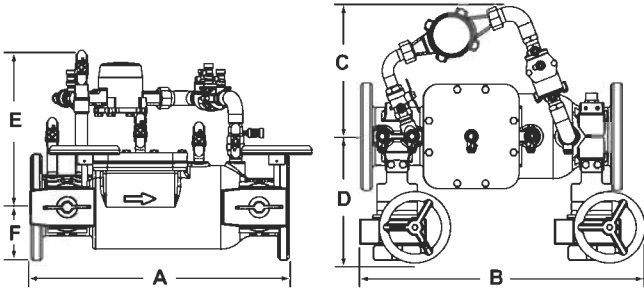
9
Febco

FEBCO
micro
SERIES

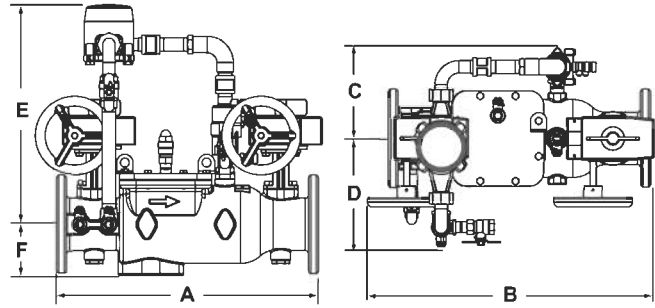
MODEL 831

Dimensions and Weights

4" Model 831H



2 1/2", 3", 6", 8", 10" Model 831



**Call for
Parts Information
and
Availability!**

Size	U.S. - INCHES						Weight (lbs.)
	A	B	C	D	E	F	
2 1/2"	20	22	7	8 1/4	17 1/4	4	126
3"	20	22	7	8 1/4	17 1/4	4	126
4"	22	24	10 7/8	10 5/8	13 1/4	4 1/2	171
6"	27 1/2	32	11 1/2	8 1/2	16 1/4	6 1/2	253
8"	34	35	7 5/9	13 7/8	15 3/5	8	385
10"	Pending						

Flow Curves

