

Model 835 (3/4" - 2") Reduced Pressure Backflow Preventer

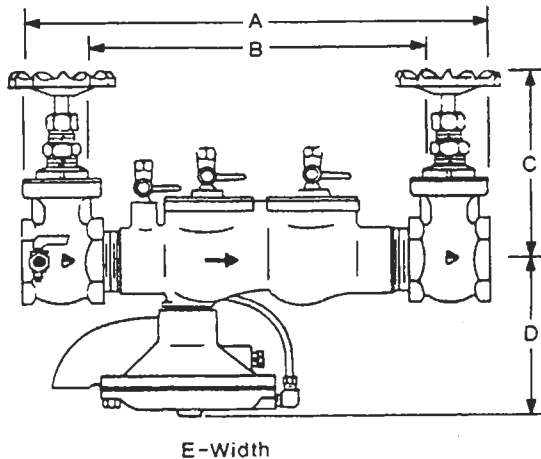
DIMENSIONS & WEIGHTS

	Size	A	B	C	D	E	Weight
	3/4"	12 3/4"	13"	6"	7/8"	4 5/8"	17
	1"	12 3/4"	13"	6"	7/8"	4 5/8"	17
	1 1/2"	18"	18 1/2"	7 7/8"	1 7/8"	6 3/4"	34
	2"	18 7/8"	19 3/4"	7 7/8"	1 7/8"	6 3/4"	37

Febco model 835(B) backflow preventers use two spring loaded check valves for maximum flow and dependable service, and one differential pressure relief valve. Each of these valves can be disassembled and repaired without being removed from the line.



Model 835B (3/4" - 2") Reduced Pressure Backflow Preventer

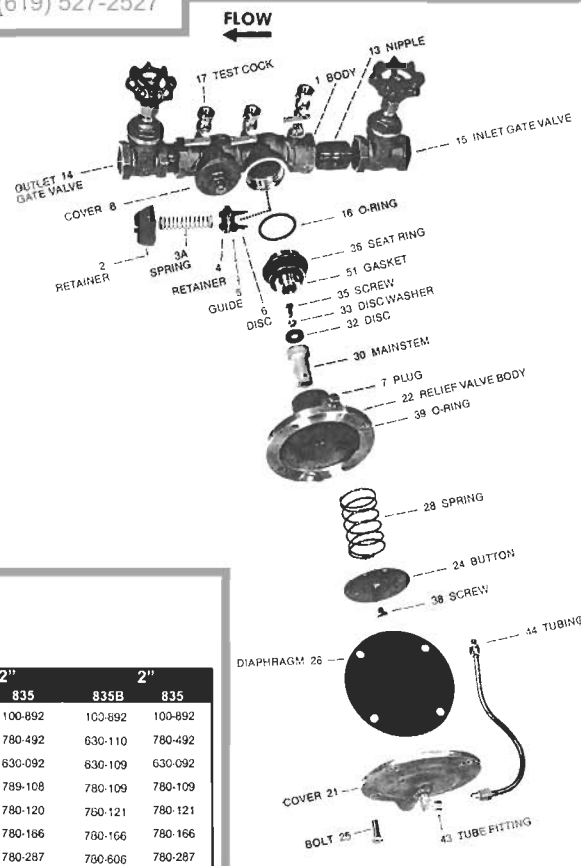
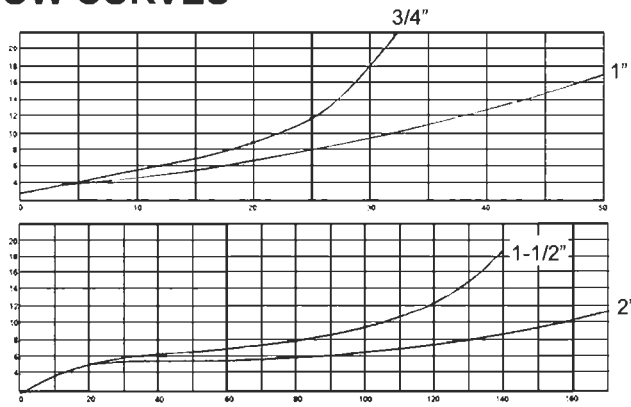


DIMENSIONS & WEIGHTS

Size	A	B	C	D	E	Weight
3/4"	10	7 1/2"	4 1/4"	4 1/2"	2 3/8"	9 1/2
1"	11 1/4"	7 3/4"	5 1/2"	4 1/2"	2 3/8"	10 1/2
1 1/2"	15 3/4"	12 1/4"	7 1/2"	6 1/2"	3 3/8"	26 1/2
2"	16 1/4"	12 1/4"	8 1/2"	6 1/2"	3 3/8"	29

MODEL 835

FLOW CURVES



REPAIR PARTS & KITS - MODEL 835, 835B

FIG.	DESCRIPTION	Q.	3/4"		1"		1-1/2"		2"	
			835B	835	835B	835	835B	835	835B	835
2	Retainer	2	500-151	500-151	500-151	500-151	100-892	100-892	100-892	100-892
3A	Spring — 1st Check Spring		630-102	780-491	630-102	780-491	630-110	780-492	630-110	780-492
3B	Spring — Not Shown — 2nd Check Spring		630-103	630-091	630-103	630-091	630-109	630-092	630-109	630-092
14	Gate Valve		780-131	780-131	780-106	780-106	789-108	789-108	780-109	780-109
15	Gate Valve — Tapped		780-132	780-132	780-133	780-133	780-120	780-120	780-121	780-121
17	Test Cock	4	780-114	780-114	780-114	780-114	780-166	780-166	780-166	780-166
21	Diaphragm Cover		780-608	780-420	780-608	780-420	780-606	780-287	780-606	780-287
25	Capscrew	4	700-018	700-018	700-018	700-018	—	—	—	—
25	Capscrew	8	—	—	—	—	700-117	700-088	700-117	700-088
28	Spring		780-424	780-424	780-424	780-424	780-291	780-291	780-291	780-291
36	Seat Ring		780-603	780-429	780-603	780-429	780-625	780-295	780-602	780-295
38	Screw		700-107	700-107	700-107	700-107	700-106	700-106	700-106	700-106

KITS	DESCRIPTION	3/4"		1"		1-1/2"		2"		
		835B	835	835B	835	835B	835	835B	835	
	Check Kit (4, 5, 6, 16)	905-026	905-026	905-026	905-026	905-027	905-027	905-027	905-027	
	Rubber Parts (6, 16)	2	—	780-503	—	780-503	902-392	780-504	902-392	780-504
	Relief Valve (Inc. 38, 51)		780-582	—	780-582	—	780-601	902-392	780-601	902-392
	Relief Valve Kit (26, 28, 30, 32, 33, 35, 36, 38, 51)		905-030	902-403	905-030	902-403	905-031	902-404	905-031	902-404
	Bonnet Kit w/Name Plate (8, 16, 54, 57)		905-013	902-409	905-014	902-408	905-015	902-410	905-016	902-407
	Relief Valve Rubber Parts (26, 32, 39, 51)		905-032	—	905-032	—	905-033	—	905-033	—
	Bonnet Kit (7, 6A, 16)		902-389	—	905-389	—	905-391	—	905-391	—

MODEL 835B

FLOW CURVES

