

## Beeco Model 12 3/4" Reduced Pressure Backflow Preventer

### FEATURES

Corrosion resistant materials.  
Ideal for protecting drinking water from contamination.  
Can be installed subject to full line pressure.  
Maximum protection at minimum cost.  
Can be equipped with a special spring to handle pressure up to 175 PSI.

### SPECIFICATIONS

Body	Bronze
Working Parts	Bronze
Springs	Stainless Steel
Valve Discs	Neoprene
Diaphragm	Neoprene coated cotton duck
Maximum working pressure	125 psi
Hydrostatic test pressure	350 psi
Temperature range	32°F - 145°F

### APPLICATIONS

Sewage facilities  
Boiler plants  
Cooling systems  
Plating plants  
Laboratories

### DIMENSIONS

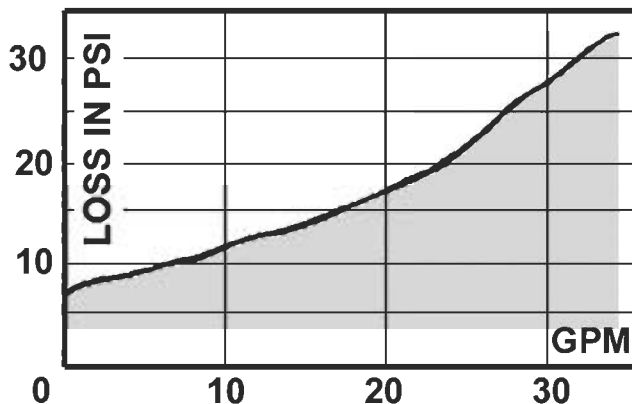
Net Weight		Gross Weight	
With Valves	No Valves	With Valves	No Valves
19 lbs.	16 lbs.	23 lbs.	19 lbs.
End Detail		3/4" IPS	
Relief Valve Opening		1/2"	
Size of Test Cocks		1/4"	
Maximum recommended flow		34 gpm	
Pressure loss at 0 gpm — 6 psi    at 34 gpm — 33 psi			

### DESCRIPTION

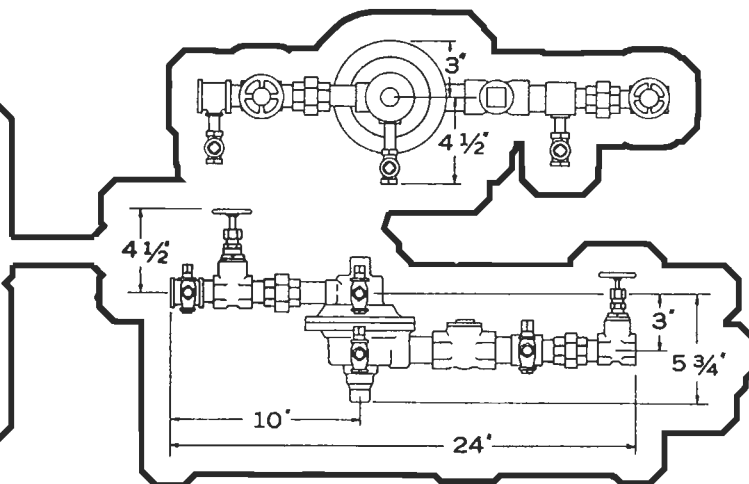
The Model 12 reduced pressure principle backflow preventer was produced from 1960-1975. It consists of two spring-loaded check valves and a spring-loaded, diaphragm actuated, differential pressure relief valve located in the zone between the two check valves.

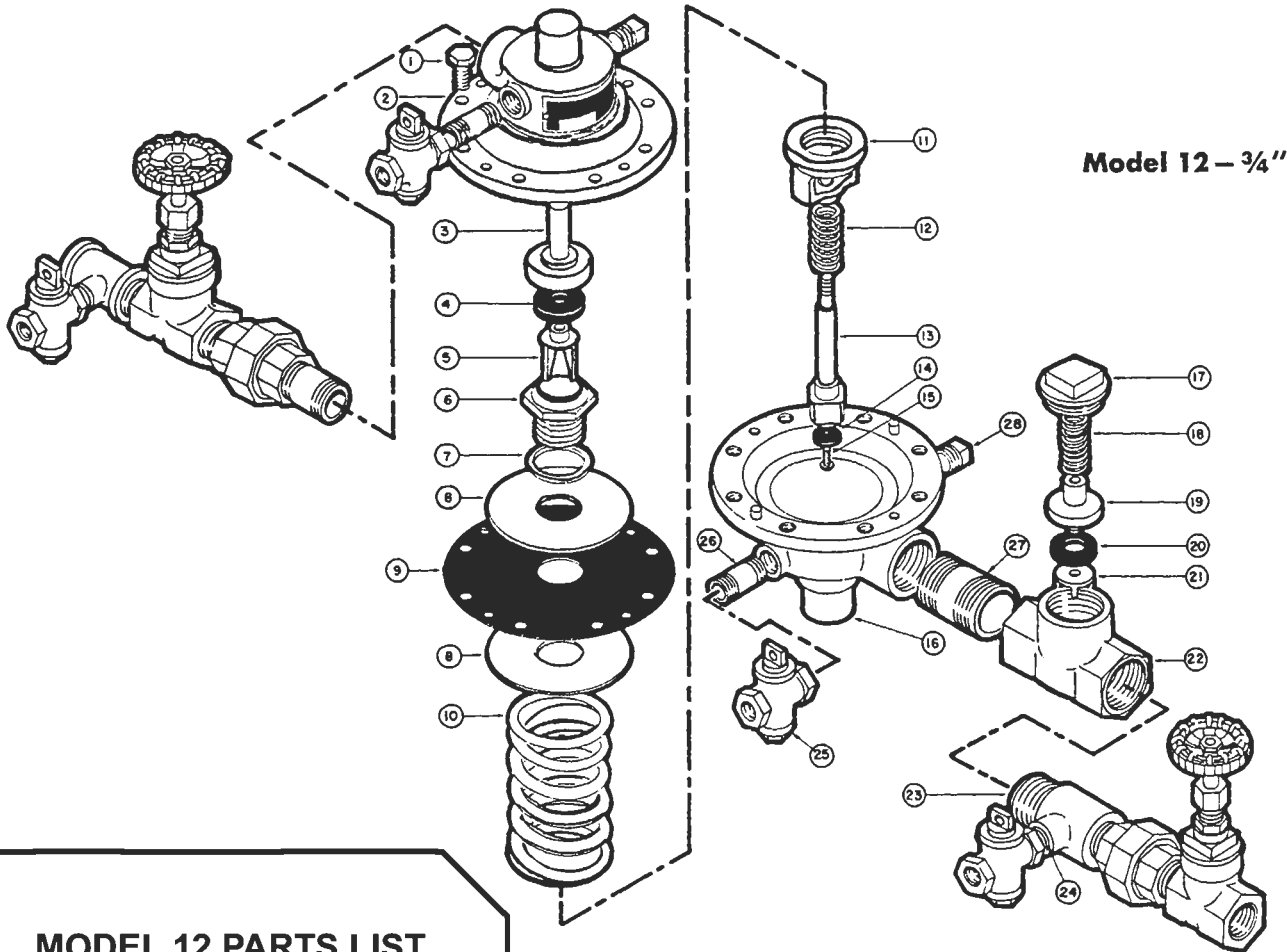
This model is designed for use in small lines where flow requirements are moderate, with less than 125 PSI. Model 12 operates on the principle that water will not flow from low pressure to high pressure zones.

### FLOW CURVES



**10**  
Beeco  
Hersey  
Craneline





## MODEL 12 PARTS LIST

### MAIN VALVE PARTS

1. Main Valve Cover Cap Screw	90023
2. Main Valve Cover	
3. Main Valve Disc Holder	62175
4. Main Valve Disc	62181
5. Main Valve Guide	62180
6. Main Valve Seat	62173
7. Main Valve Seat Gasket	62182
8. Main Valve Disphragm Plate (2)	62179
9. Main Valve Diaphragm	62177
10. Main Valve Spring	62186
11. Main Valve Stem Guide	62174
16. Main Valve Body	

### RELIEF VALVE PARTS

12. Relief Valve Spring	62185
13. Relief Valve Holder	62178
14. Relief Valve Disc	62192
15. Relief Valve Disc Screw	98165

### CHECK VALVE PARTS

17. Check Valve Cap	
18. Check Valve Spring	62189
19. Check Valve Disc Holder	62187
20. Check Valve Disc	62188
21. Check Valve Guide	62193
22. Check Valve Body	

### FITTINGS

23. Main Valve Reducer	62176
24. Test Cock Close Nipple	96299
25. Test Cock	60012
26. Test Cock Nipple	96240
27. Nipple	96065
28. Test Cock Plug	59005

### RUBBER PARTS KIT

CV Disc	62188
MV Disc	62181
MV Diaphragm	62177
MV Seat Gasket	62182
RV Disc	62192