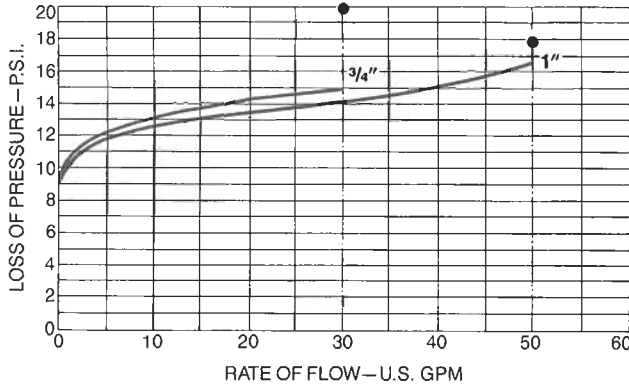


Model FRP Reduced Pressure Backflow Preventer (3/4" & 1")

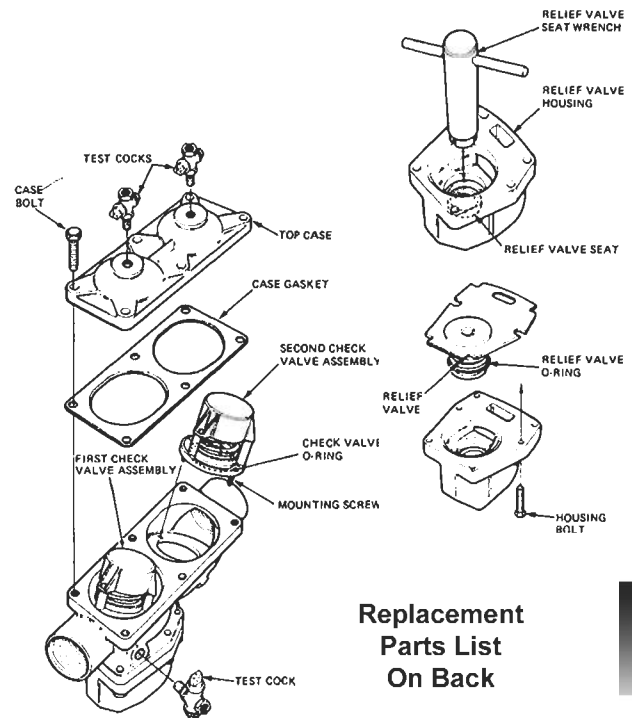
DESCRIPTION

Hersey's Beeco Model FRP Reduced Pressure Backflow Preventer provides maximum protection against backflow due to backpressure and backsiphonage. Contamination of drinking water supplies is prevented by maintaining a zone of reduced pressure that is less than supply pressure.

FLOW CURVES



REPLACEMENT PARTS

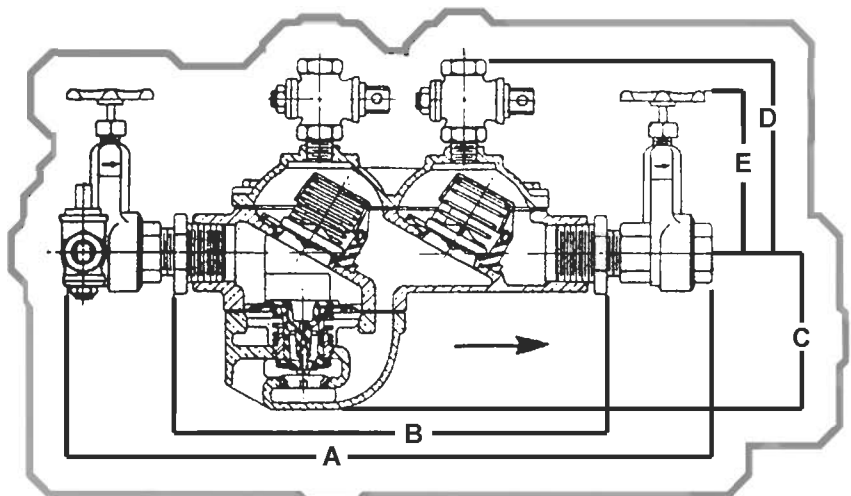


Replacement
Parts List
On Back

10
Beeco
Hersey
Craneline

DIMENSIONS

SIZE	3/4"	1"
End detail	Screwed	Screwed
Rated GPM	30	50
A	12-7/8	12-3/4
B	8-3/4	8-1/8
C	7-1/2	7-7/8
D	4-13/16	5-3/16
E	4-1/16	4-13/16
Width	5"	5"
Size of test cocks	1/4	1/4
Net Wt. No Valves	9-3/4 lbs.	9-1/4 lbs.
Net Wt. w/ Valves	11-3/4 lbs.	12 lbs.



FRP (I & II) REPLACEMENT PARTS (3/4" & 1")

If more than one part per unit is required, quantity is indicated in parenthesis after part number.

	Part No.		
COMPLETE VALVE KIT—FRP I	65554	RELIEF VALVE AIR GAP FITTING KIT	65639
FRP II	65627		
Includes:			
First Check Valve Assembly		RELIEF VALVE SEAT	65524
Second Check Valve Assembly		INSTALLATION KIT	
Relief Valve Assembly		Includes:	
Case Gasket		Relief Valve Seat	
Check Valve O-rings (2)		Relief Valve Seat Wrench	
Relieve Valve O-ring		Relieve Valve Adhesive/Sealant	
Check Valve Mounting Screws (4)			
FIRST CHECK VALVE KIT	65555	DIFFERENTIAL PESSURE GAUGE	
Includes:		TEST KIT	98415
First Check Valve Assembly			
Check Valve O-ring			
Case Gasket			
Mounting Screws (2)			
SECOND CHECK VALVE KIT	65556	OTHER PARTS:	
Includes:		Relief valve cover-FRP II	65624
Second Check Valve Assembly		Relief valve housing w/seat	
Check Valve O-ring		ring-FRP 1	N/A
Case Gasket		Top case	65531
Mounting Screws (2)		Bottom case-FRP II 3/4"	65623
		Bottom case-FRP II 1"	65622
		Bottom case-FRP I	N/A
		Case bolts-FRP I	90026 (12)
		Case bolts-FRP II	90026 (12)
		Test cocks	96339 (3)
		Check valve mounting screws	98116 (4)
		Case gasket	65534
RELIEF VALVE KIT—FRP I	65557		
FRP II	65628		
Includes:			
Relief Valve			
O-ring Seal			

American Backflow Specialties

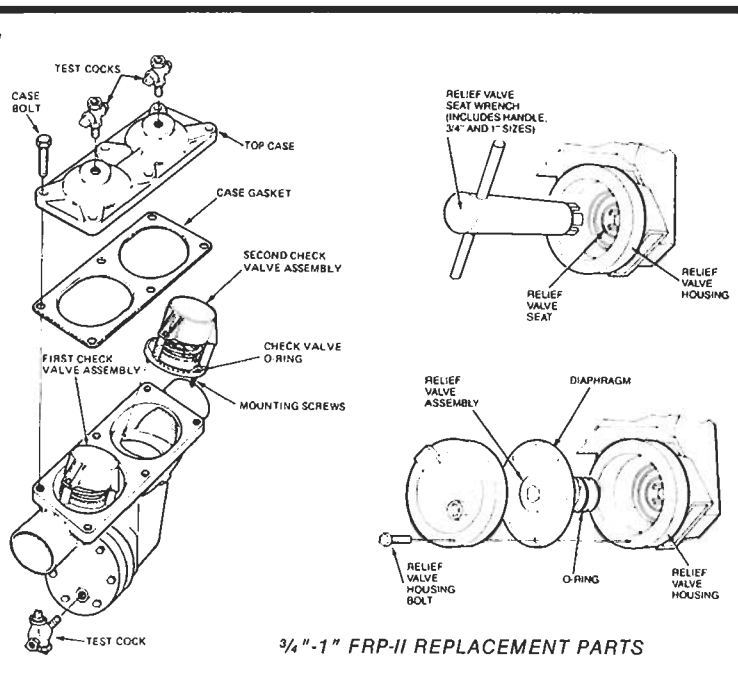
www.americanbackflow.com

(800) 66-BKFLO

(619) 527-2525

Fax: (619) 527-2527

FRP II



3/4"-1" FRP-II REPLACEMENT PARTS