

Model 6 / 6U Reduced Pressure Principle Backflow Preventer (1-1/2" through 10")

FEATURES

- Body is galvanized iron.
- External R.V. sensing line.
- All seats are replaceable.
- All springs are contained.
- Special tools necessary for repair.
- Factory repair information is available.

DESCRIPTION

The BEECO Reduced Pressure Backflow Preventer operates on the principle that water will not flow from a zone of lower pressure to one of higher pressure.

The device consists of two spring-loaded check valves and a spring loaded, diaphragm actuated, differential pressure relief valve located in the zone between the check valves.

This assembly was produced from around 1948 to 1978. It must be removed from the line for repair. The assembly is flanged at both ends for removal. Since special repair tools are necessary, field repair is not recommended. On all springs, tension must be relieved for repair. The assembly has an external R.V. sensing line. Model "6" and "6U" are virtually the same - "6U" has been examined by Underwriter's Laboratories.

SIZE	4	6	8	10
END DETAIL	FLG	FLG	FLG	FLG
GPM	500	1000	1600	2300
DIMENSIONS				
A	70 ⁷ / ₈	85 ¹ / ₄	79 ⁷ / ₈	88 ⁷ / ₈
B	52 ³ / ₄	64 ¹ / ₈	56 ³ / ₄	62 ³ / ₄
C	13	13	24	25
D (NRS GATES)	16 ¹ / ₂	21 ¹ / ₄	26 ¹ / ₂	30 ⁵ / ₈
D (OS & Y GATES)	23 ³ / ₈	31 ³ / ₄	40 ³ / ₈	49
E	12	12	12	15
RELIEF VALVE OPENING	3	3	3	3
SIZE OF TEST COCKS	1/2	3/4	3/4	3/4
NET WT. NO GATES	524	825	1460	2244
WITH NRS GATES	730	1159	2032	3152
WITH OS & Y GATES	748	1211	2130	3324
GROSS WT. NO GATES	605	902	1625	2435
WITH NRS GATES	846	1300	2320	3360
WITH OS & Y GATES	876	1361	2430	3545

CHARACTERISTICS & MATERIALS

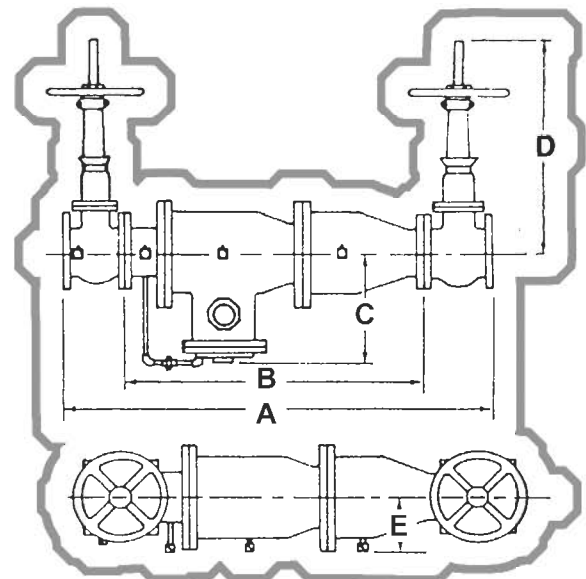
Body	Galvanized cast iron
Working Parts	Bronze
Valve discs	Neoprene
Diaphragms	Neoprene coated cotton duck

Max working pressure	175 PSI
Hydrostatic test pressure	350 PSI
Temperature range	32° - 145°F

NOTE

Beeco model 6U is the Beeco Model 6 with the UL Medallion attached.

DIMENSIONS & WEIGHTS

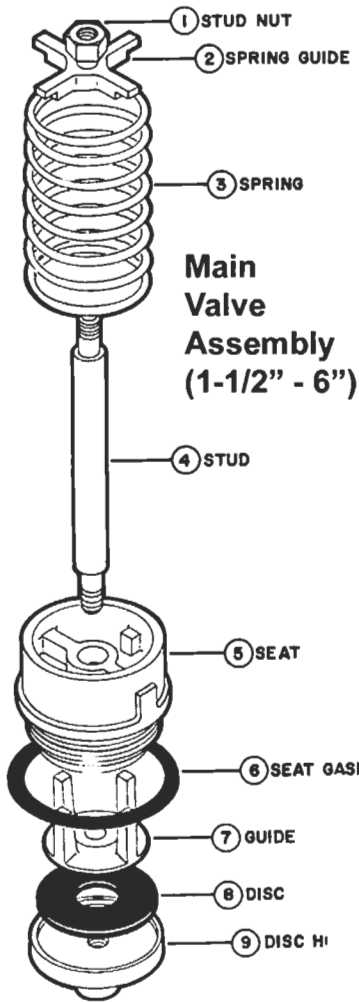


WEIGHTS

1-1/2" - 300 LBS, 2" - 310 LBS, 3" - 490 LBS,
4" - 900 LBS, 6" - 1390 LBS, 8" - 2440 LBS, 10" - 3650 LBS

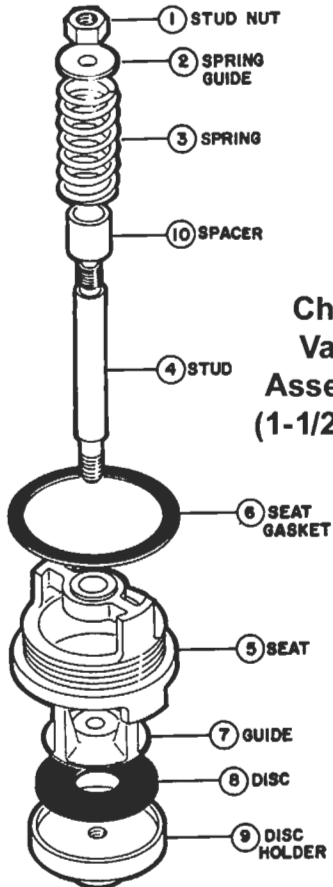
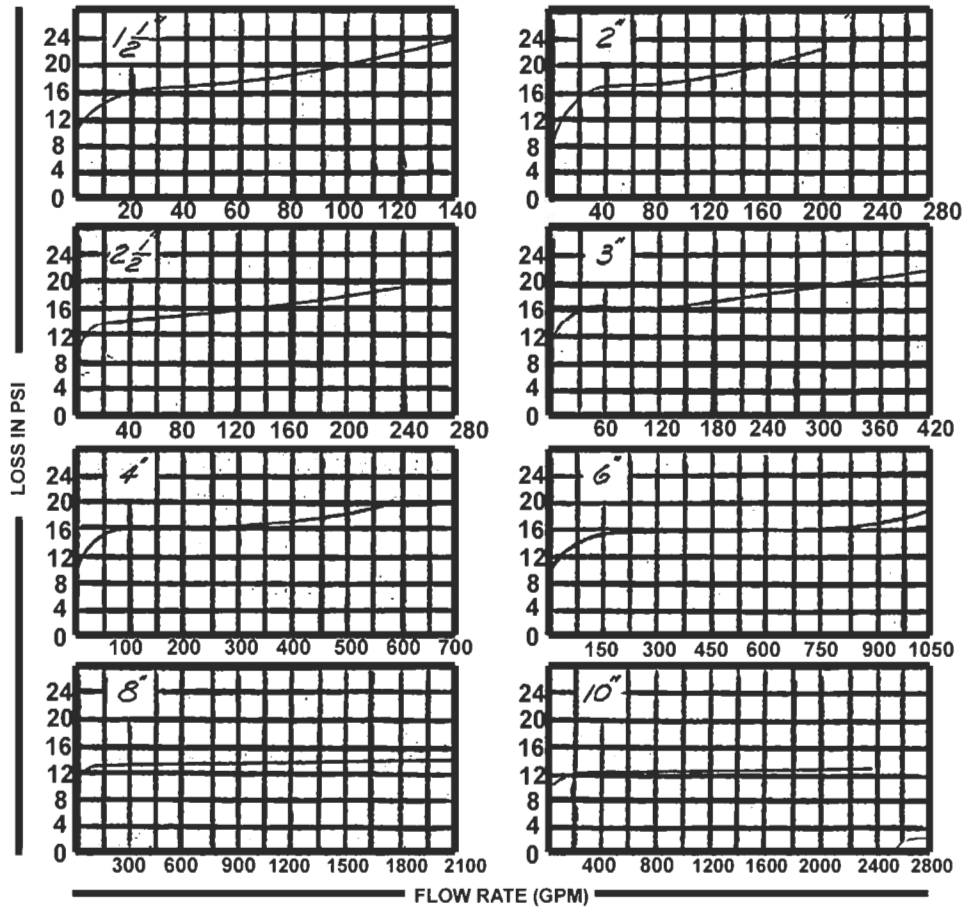


Model 6 / 6U



**Main Valve Assembly
(1-1/2" - 6")**

FLOW CURVES



**Check Valve Assembly
(1-1/2" - 6")**

Main Valve Parts (1-1/2" - 6")

#	Description	1-1/2 & 2"	3"	4"	5"	6"
1	MV Stud Nut	90181	90181	90341	90373	90373
2	MV Spring Guide	61450	61521	61375	61495	61468
3	MV Spring	61822	61523	61389	61501	61525
4	MV Stud	61454	61454	61378	61498	61473
5	MV Seat	61446	61517	61368	61490	61463
6	MV Seat Gasket	61458	61526	61384	61500	61480
7	MV Guide	61449	61519	61373	61492	61467
8	MV Disc	61152	61522	61374	61506	61476
9	MV Disc Holder	61448	61520	61372	61493	61462

Check Valve Parts (1-1/2" - 6")

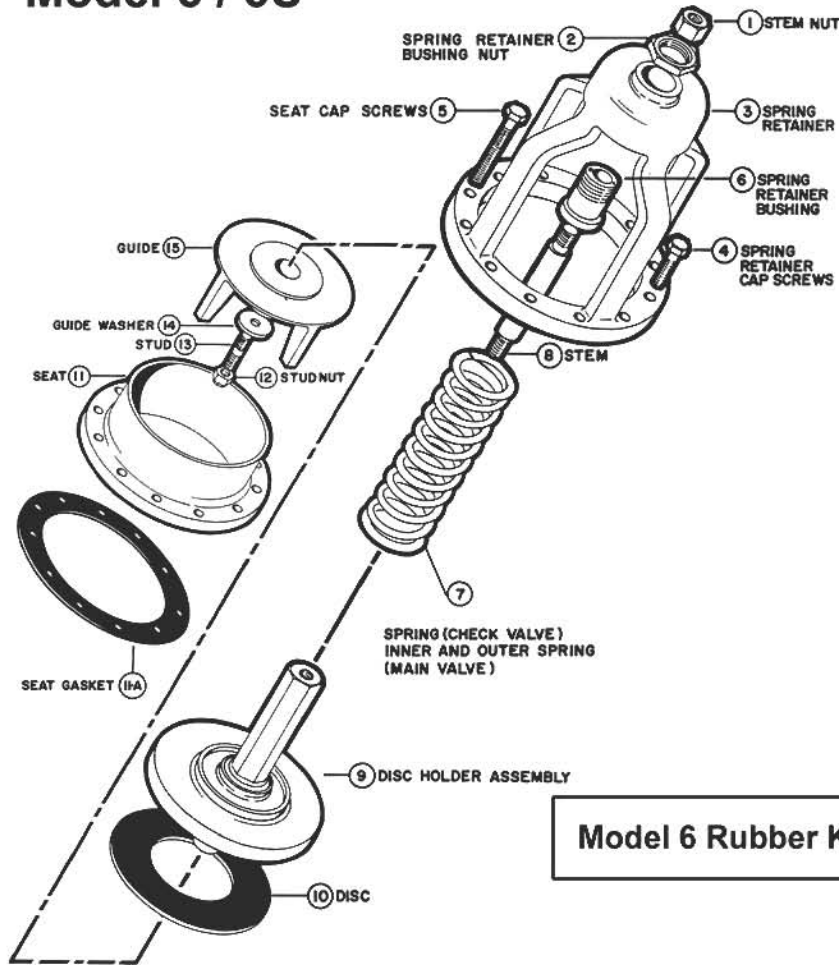
#	Description	1-1/2 & 2"	2-1/2"	3"	4"	6"
1	CV Stud Nut	90181	90181	90341	90373	90373
2	CV Spring Guide	61451	61451	61376	61469	61469
3	CV Spring	61457	61457	61388	61502	62115
4	CV Stud	61455	61455	61377	61499	61474
5	CV Seat	61447	61518	61371	61491	61464
6	CV Seat Gasket	61458	61526	61384	61500	61480
7	CV Guide	61449	61519	61373	61492	61467
8	CV Disc	61152	61522	61374	61506	61476
9	CV Disc Holder	61448	61520	61372	61493	61462
10	CV Spacer	61453	61453	61386	61497	61472

American Backflow Specialties

(800) 66-BKFLO (619) 527-2525 Fax: (619) 527-2527

www.americanbackflow.com

Model 6 / 6U



Model 6 Rubber Kits

Rubber Parts Kit		61235
MV and CV Seat Gasket		61458
MV and CV Disc	SIZE: 1½"	61152
RV Upper Seat Gasket	AND 2"	61444
RV Disc		61210
RV Lower Seat Gasket		61443
Diaphragm		61385
Body Flange Gasket		95144
Rubber Parts Kit		61236
MV and CV Seat Gasket		61526
MV and CV Disc	SIZE: 2½"	61522
RV Upper Seat Gasket		61444
RV Disc		61210
RV Lower Gasket		61443
RV Diaphragm		61385
Body Flange Gasket		95144
Rubber Parts Kit		61237
MV and CV Seat Gasket		61384
MV and CV Disc	SIZE: 3"	61374
RV Upper Seat Gasket		61444
RV Disc		61210
RV Lower Seat Gasket		61443
RV Diaphragm		61385
Body Flange Gasket		95144
Rubber Parts Kit		61238
MV and CV Valve Seat Gasket		61500
MV and CV Disc	SIZE: 4"	61506
RV Upper Seat Gasket		61482
RV Disc		61478
RV Lower Seat Gasket		61481
RV Diaphragm		61479
Body Flange Gasket		95145
Rubber Parts Kit		61239
MV and CV Seat Gasket		61480
MV and CV Disc	SIZE: 6"	61476
RV Upper Seat Gasket		61482
RV Disc		61478
RV Lower Seat Gasket		61481
RV Diaphragm		61479
Body Flange Gasket		95146
Rubber Parts Kit		61240
Body Flange Gasket		61756
MV and CV Seat Gasket		61766
MV and CV Disc	SIZE: 8"	61757
RV Upper Seat Gasket		61482
RV Disc		61478
RV Lower Seat Gasket		61481
Diaphragm		61479
RV Housing Gasket		61698
8" End Flange Gasket		95146
Rubber Parts Kit		61241
Body Flange Gasket		95148
MV and CV Seat Gasket		61697
MV and CV Disc	SIZE: 10"	61699
RV Lower Seat Gasket		61431
RV Disc		61478
RV Upper Seat Gasket		61482
Diaphragm		61479
RV Housing Gasket		61698
10" End Flange Gasket		95147

10
Beeco
Hersey
Craneline

Main Valve Parts (8" & 10")

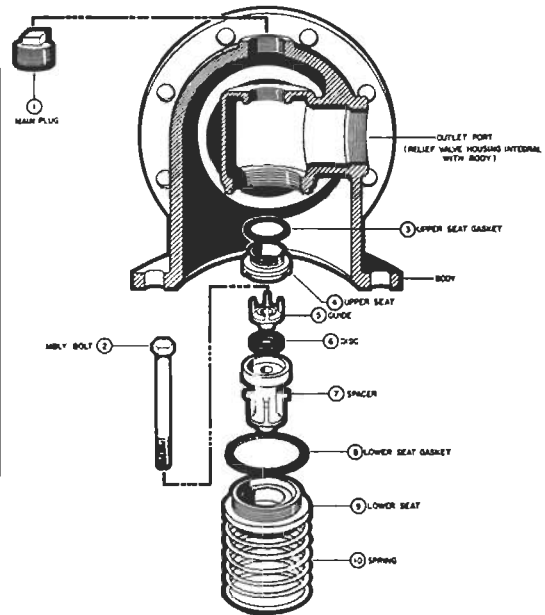
#	Description	8"	10"	Qty.
1	MV Stem Nut	90373	90373	1
2	MV Spring Retainer Bushing Nut	61102	61102	1
3	MV Spring Retainer	61760	61684	1
4	MV Spring Retainer Cap Screw	90236	90339	4
5	MV Seat Cap Screw	90237	90305	8
6	MV Spring Retainer Bushing	61695	61695	1
7	MV Inner Spring	61759	61693	1
7	MV Outer Spring		61692	1
8	MV Stem	61762	61696	1
9	MV Disc Holder Assembly	61758	61703	1
10	MV Disc	61757	61699	1
11	MV Seat	61753	61689	1
11a	MV Seat Gasket	61766	61697	1
12	MV Stud Nut	90345	90345	1
13	MV Stud	90344	90344	1
14	Guide Washer	61827	61827	1
15	MV Guide	61754	62236	1

Check Valve Parts (8" & 10")

#	Description	8"	10"	Qty.
1	CV Stem Nut	90373	90373	1
2	CV Spring Retainer Bushing Nut	61102	61102	1
3	CV Spring Retainer	61763	61685	1
4	CV Spring Retainer Cap Screw	90236	90339	4
5	CV Seat Cap Screw	90237	90305	8
6	CV Spring Retainer Bushing	61695	61695	1
7	CV Spring	61764	61694	1
8	CV Stem	61762	61696	1
9	CV Disc Holder Assembly	61767	61702	1
10	CV Disc	61757	61699	1
11	CV Seat	61753	61689	1
11a	CV Seat Gasket	61766	61697	1
12	CV Stud Nut	90345	90345	1
13	CV Stud	90344	90344	1
14	Guide Washer	61827	61827	1
15	CV Guide	61754	62236	1

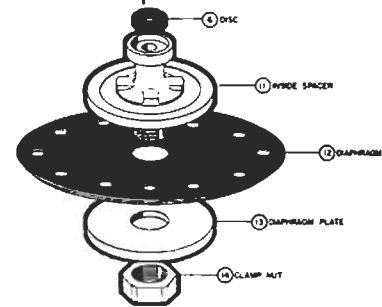
Relief Valve Parts (1-1/2" - 6")

#	Description	1-1/2-3"	4"	6"	Qty.
1	Main Plug	59014	59015	59015	1
2	RV Assembly Bolt	90184	90348	90346	1
3	RV Upper Seat Gasket	81444	81482	81482	1
4	RV Upper Seat	81204	81466	81466	1
5	RV Guide	81379	81471	81471	1
6	RV Disc	81210	81478	81478	2
7	RV Spacer	81205	81470	81470	1
8	RV Lower Seat Gasket	81443	81481	81481	1
9	RV Lower Seat	81203	81487	81487	1
10	RV Spring	81387	81503	81488	1
11	RV Inside Spacer	81388	81494	81461	1
12	RV Diaphragm	81385	81479	81479	2
13	RV Diaphragm Plate	81383	81475	81475	1
14	RV Clamp Nut	81382	81483	81483	1
	RV Cover Bolt	90231	90347	90347	12
	RV Cover Nut	90232	90343	90343	12
	RV Street Elbow	96258	96255	96255	1



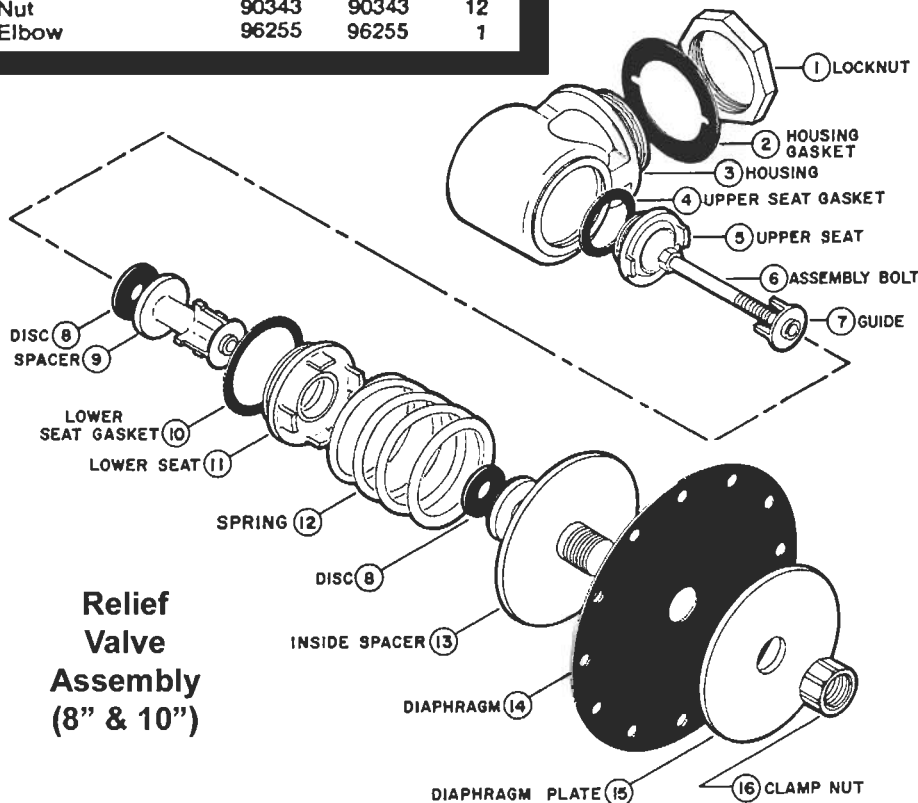
Relief Valve Parts (8" & 10")

#	Description	8"	10"	Qty.
1	RV Lock Nut	61691	61691	1
2	RV Housing Gasket	61698	61698	1
3	RV Housing	61688	61688	1
4	RV Upper Seat Gasket	61482	61482	1
5	RV Upper Seat	61466	61466	1
6	RV Assembly Bolt	90346	90346	1
7	RV Guide	61471	61471	1
8	RV Disc	61478	61478	2
9	RV Spacer	61470	61470	1
10	RV Lower Seat Gasket	61481	61481	1
11	RV Lower Seat	61487	61487	1
12	RV Spring	61503	61503	1
13	RV Inside Spacer	61494	61494	1
14	RV Diaphragm	61479	61479	2
15	RV Diaphragm Plate	61475	61475	1
16	RV Clamp Nut	61483	61483	1
	RV Cover Bolt	90347	90347	12
	RV Cover Nut	90343	90343	12
	RV Street Elbow	96255	96255	1



Relief Valve Assembly (1-1/2" - 6")

MODEL 6 / 6 U



Relief Valve Assembly (8" & 10")