



Hersey® Meters

Model 6CM Reduced Pressure Backflow Prevention Assembly (2-1/2" through 10")

DESCRIPTION

Model 6CM Reduced Pressure Backflow Prevention Assembly features the exclusive Aergap system, providing the highest level of protection against backflow. The unit consists of two independent spring loaded poppet-type check valve assemblies, and a relief valve, all in one common body. The relief valve is a diaphragm actuated, spring loaded, double seated assembly. Two gate valves and four test cocks for field testing complete the basic features. The assemblies are modular and easily removed from the device for in-line servicing.

FEATURES

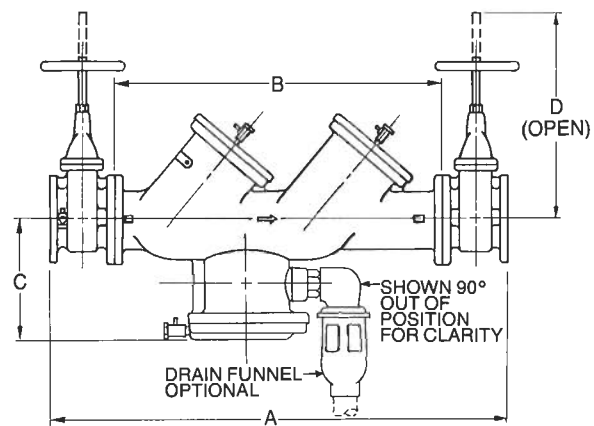
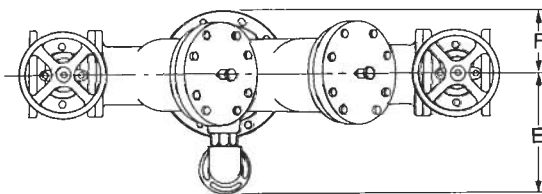
- Exclusive Aergap system protection.
- Hot-dipped galvanized, epoxy-coated iron, or bronze body (Bronze in 2-1/2" to 6" only).
- Replaceable seats and springs.
- Rugged one piece body for long, dependable service.
- OS&Y or NRS gate valves.
- In-line maintenance.
- Test cocks for in-line testing.
- Internal sensing passage.
- Hot water approval to 140°F.

APPROVALS

USC, CSA B64.6, ASSE 1013, AWWA, FM; IAMPO Listed
UL, ULC Classified, U.S. Navy, U.S. Army

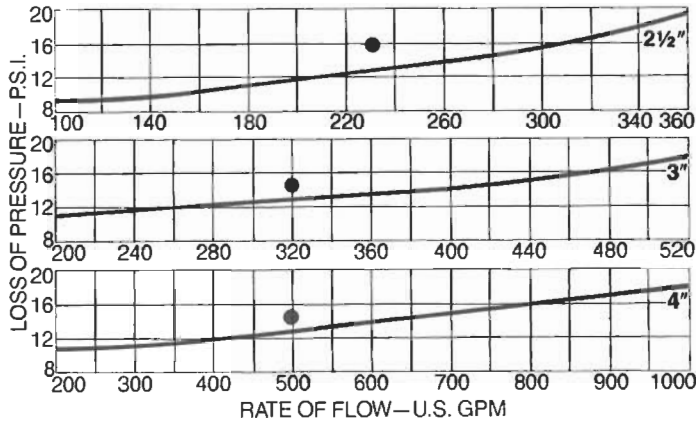
APPLICATIONS

For use at cross-connections where the danger from backflow presents a health hazard.



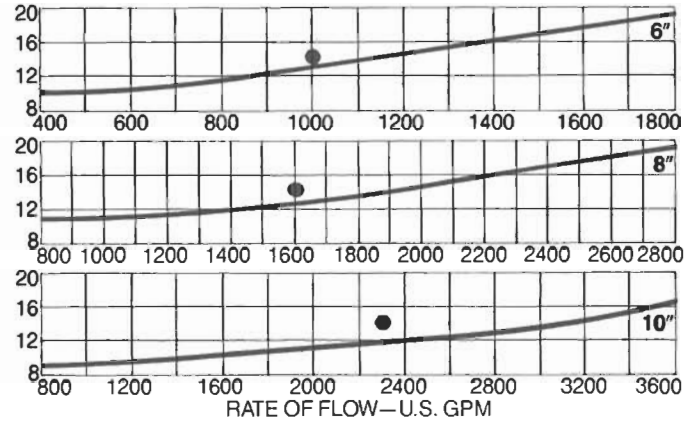
DIMENSIONS	2 1/2"	3"	4"	6"	8"	10"	WEIGHTS (BRONZE)	2 1/2"	3"	4"	6"		
A (bronze)	35"	40"	46 1/2"	62"	—	—	Net Wt. No Valves, Lbs.	130	194	250	548		
A (iron)	36 1/2"	40"	47 1/2"	62"	75 1/2"	88"	Net Wt. W/NRS Valves, Lbs.	258	330	430	788		
B (bronze)	20"	24"	28 1/2"	41"	—	—	Net Wt. W/OS+Y Valves, Lbs.	218	306	490	875		
B (iron)	21 1/2"	24 5/8"	29 1/2"	41"	52 1/2"	62"	Gross Wt. No Valves, Lbs.	160	224	280	630		
C (bronze)	9 3/4"	10"	10 3/4"	12"	—	—	Gross Wt. W/NRS Valves, Lbs.	288	360	470	870		
C (iron)	9 1 3/16"	10"	10 3/4"	12"	21 1/4"	22 3/8"	Gross Wt. W/OS+Y Valves, Lbs.	260	362	530	905		
D (NRS)	12 1/2"	13 5/8"	15 1/4"	19 7/8"	24 1/2"	29 3/4"	SIZE (IRON)						
D (OS+Y) (open)	17 3/8"	22 1/16"	25"	32 3/4"	41 1/2"	48 1/2"	Net Wt. No Valves, Lbs.	160	206	293	532	1268	1955
E (bronze & iron)	10 1/8"	10 1/8"	10 1/8"	10 1/8"	17 3/8"	17 3/8"	Net Wt. W/NRS Valves, Lbs.	264	330	476	874	1876	2769
F (bronze)	4 1/2"	4 1/2"	4 3/4"	6 3/16"	—	—	Net Wt. W/OS+Y Valves, Lbs.	270	340	490	876	1926	2966
F (iron)	5 1/4"	5 1/4"	5 1/4"	6 3/16"	8 3/8"	10 3/16"	Gross Wt. No Valves, Lbs.	190	236	328	622	1370	2100
Size of Test Cocks	1/2"	1/2"	1/2"	3/4"	3/4"	3/4"	Gross W/NRS Valves, Lbs.	294	360	526	964	1980	3084
Relief Valve Opening	2"	2"	2"	2"	3"	3"	Gross W/OS+Y Valves, Lbs.	300	370	540	966	2030	3136

FLOW CURVES



NOTE: ● Maximum Allowable Pressure Loss allowed by USC at indicated flow.

MODEL CM



C.I.: Cast Iron Case

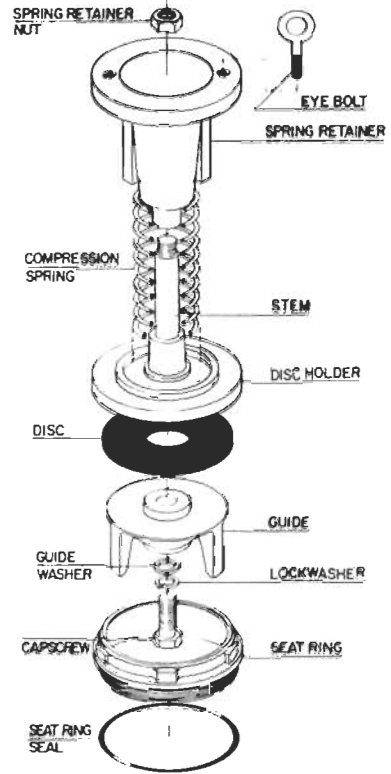
BRZ: Bronze Case

C.W.: Cold Water

H.W.: Hot Water

All 3"-6" parts are interchangeable between cold water and hot water models, and between iron case and bronze case models, except as noted. All 2 1/2" parts are for cold or hot water bronze case device only.

Description	2 1/2"	3"	4"	6"
MV & CV Cover Bolt (Brz.)	90114(8)	90129(8)	90129(14)	90135(16)
MV & CV Cover Bolt (C.I.)	90117(2)	90129(8)	90168(14)	90292(16)
MV & CV Cover Bolt (C.I.)	90124(6)			
MV & CV Cover Nut (C.I.)	90112(6)	90151(8)	90151(14)	90251(16)
MV & CV Cover (C.I.)	63527	63302	63402	63602
MV & CV Cover (Brz.)	63502	63327	63427	63627
MV & CV Cover Gasket (Brz.)	63504	63304	63404	63604
MV & CV Cover Gasket (C.I.)	63552			
MV & CV Spring Retainer Nut	90069	90260	90336	90336
MV & CV Spring Retainer	63509	63309	63409	63609
MV Spring	63507	63307	63407	63607
CV Spring	63508	61388	62304	61485
MV & CV Disc Holder	62112	61832	61852	61892
MV & CV Disc	62331	62334	62335	63605
MV & CV Guide (5/8-11 X 1/2 Long)	63511	63311	63411	63611
MV & CV Guide Cap Screw	90172	90282	90282	90382
MV & CV Seat	63506	63306	63406	63606
MV & CV O-Ring (C.W.)	98339	98335	98336	98337
MV & CV O-Ring (H.W.)	98349	98350	98351	98352
Eyebolt	90197	90197	90198	90198
MV Assembly Complete	63512	63312	63412	63612
CV Assembly Complete	63513	63313	63413	63613



MAIN & CHECK VALVE PARTS

Description	8"	10"
MV & CV Cover Bolt	90140(2)	90360(2)
MV & CV Cover Nut	90358(14)	90372(16)
MV & CV Cover Bolt	90141(14)	90371(16)
MV & CV Cover	63802	63902
MV & CV Cover Gasket	63804	63904
MV & CV Spring Retainer Nut	90336	90373
MV & CV Spring Retainer	63809	63909
MV Spring	63807	63907
CV Spring	63808	63908
MV & CV Stem	63852	62238
MV & CV Disc Holder	61275	62235
MV & CV Disc	63810	63910
MV & CV Guide	61754	62236
MV & CV Guide Washer	63820	63820
MV & CV Lock Washer	90337	90337
MV & CV Guide Capscrew (3/4-10 X 1-1/2)	90381	90381
MV & CV Seat	63806	63906
MV & CV O-Ring	98343	98340
MV Assembly Complete	63812	63912
CV Assembly Complete	63813	63913
MV & CV Eye Bolt	90198(2)	90199(2)

MATERIALS & CHARACTERISTICS

Body hot-dipped galvanized or epoxy coated cast iron; 2 1/2"-10"
 Body bronze; 2 1/2"-6"
 Working parts bronze and stainless steel
 Springs stainless steel*
 Diaphragms reinforced elastomer
 Valve discs silicone rubber
 Maximum rated working pressure 175 psi
 Hydrostatic test pressure 350 psi
 Temperature range 33°-140° F
 (Available up to 180°)

*8" and 10" first check springs are carbon steel vinyl-coated.

American Backflow Specialties

(800) 66-BKFLO - (619) 527-2525 Fax: (619) 527-2527

www.americanbackflow.com

Relief Valve Parts

2-1/2" - 6"

RV Cover Nut (C.I.)	90151(12)
RV Cover Nut (Brz.) (3"-6")	90112(16)
RV Cover Bolt (C.I.)	90168(12)
RV Cover Bolt (2 1/2" Brz.)	90114(16)
RV Cover Bolt (Brz.) (3"-6")	90126(16)
RV Cover (C.I.)	63303
RV Cover (Brz.)	63503
RV Assembly Bolt	98145
RV Upper Seat Guide	60230
RV Upper Disc	60237
RV Upper Stem	60231
RV Lower Seat	60234
RV O-Ring (C.W.)	98319
RV O-Ring (H.W.)	19110
RV Spring	60236
RV Lower Disc	60237
RV Lower Stem	60232
RV Upper Diaphragm Plate	60235
RV Diaphragm Plate Gasket	60239
RV Diaphragm (C.W.) (C.I.)	63305
RV Diaphragm (H.W.)	63345
RV Diaphragm (C.W., Brz.)	63505
RV Diaphragm (C.I., H.W.)	63346
RV Lower Diaphragm Plate	60235
RV Lock Washer	98137
RV Lower Stem Nut	90159
RV Assembly Complete (C.I., C.W.)	63314
RV Assembly Complete (C.I., H.W.)	63347
RV Assembly Complete (Brz., C.W.)	63514
RV Assembly Complete (Brz., H.W.)	63348

Relief Valve Housing Assembly Parts

RV Housing	60645
RV Housing Gasket	60644
RV Housing Nut	63356
RV Housing Elbow** *	63357
RV Seat O-Ring (C.W.)	98318
RV Seat O-Ring (H.W.)	98354
RV Upper Seat	60233
RV Lock Washer	98155(3)
RV Seat Assembly Screw	98165(3)
RV Housing Assembly Complete (C.W.)	63519
RV Housing Assembly Complete (H.W.)	63349
Dowel Pin	62313(2)

*Also order RV Housing Nut if replacing copper elbow.

**Not included in assembly. Order separately.

Relief Valve Parts

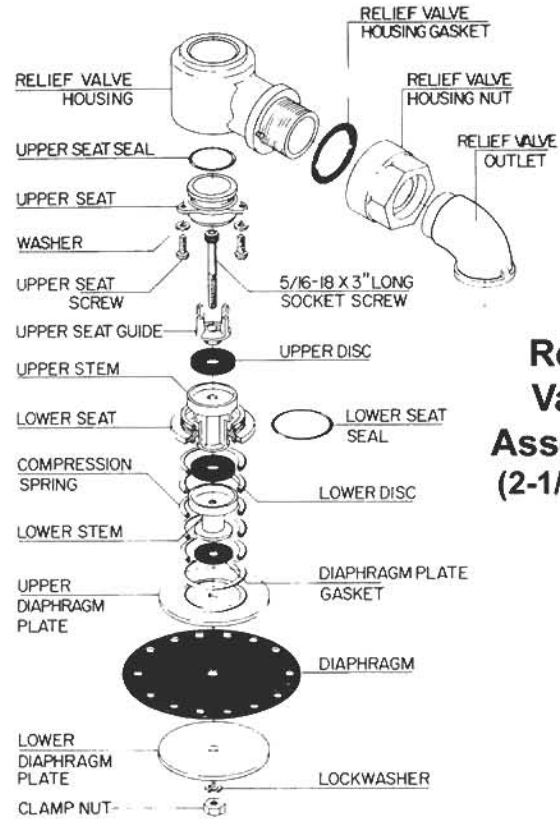
8" & 10"

RV Cover Nut	90301(12)
RV Cover Bolt	90347(12)
RV Cover	63803
RV Assembly Bolt	90346
RV Upper Seat Guide	63839
RV Upper Disc	63835
RV Upper Spacer	63833
RV O-Ring	98341
RV Lower Seat	63832
RV Lower Disc	63835
RV Spring	61503
RV Lower Spacer	63834
RV Diaphragm Plate Gasket	63837
RV Upper Diaphragm Plate	61475
RV Diaphragm	61479
RV Lower Diaphragm Plate	61475
RV Lower Stem Nut	61483
RV Assembly Complete	63814

Relief Valve Housing Assembly Parts

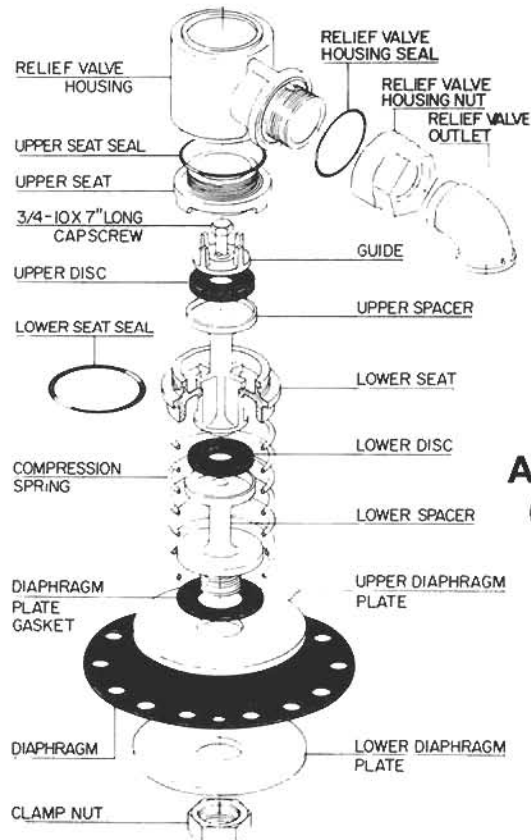
RV Housing	63830
RV Upper Seat O-Ring	98339
RV Housing Nut	63856
RV Elbow*	63857
RV Housing O-Ring*	98342
RV Upper Seat	63831
RV Housing Assembly Complete	63819
Dowel Pin	61873(2)

*Not included in RV Assembly. Order separately.



Relief Valve Assembly (2-1/2" - 6")

MODEL CM



Relief Valve Assembly (8" - 10")

10
Beeco
Hersey
Craneline

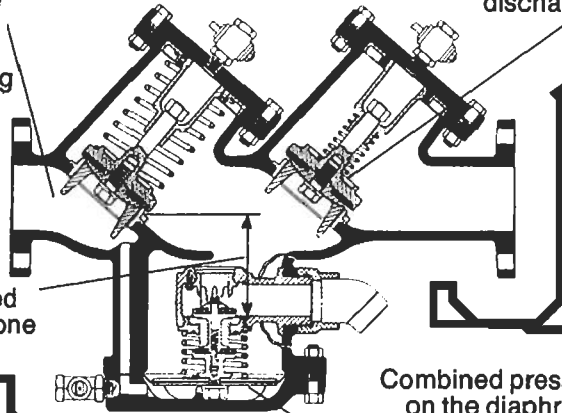
The Aergap® Principle

If the supply pressure drops below atmosphere, the diaphragm causes the relief valve to open, draining liquid to the level of the relief valve, and creating an internal air gap.

Leakage at second check causes flow into the reduced pressure zone, and relief valve discharge.

The reduced pressure zone

Combined pressure on the diaphragm and spring cause the relief valve to open, to maintain at least 2 PSI positive differential.



DESCRIPTION	PART NO.	PART NO.	DESCRIPTION	PART NO.	PART NO.
	2½" COLD WATER	2½" HOT WATER		6" COLD WATER	6" HOT WATER
RV Disc	60237(2)	60237(2)	RV Disc	60237(2)	60237(2)
Diaphragm Plate Gasket	60239	60239	Diaphragm Plate Gasket	60239	60239
RV Housing Gasket	60644	60644	RV Housing Gasket	60644	60644
MV & CV Disc	62331(2)	62331(2)	MV & CV Disc	63605(2)	63605(2)
MV & CV Cover Gasket (Brz)	63504(2)	63504(2)	MV & CV Cover Gasket	63604(2)	63604(2)
MV & CV Cover Gasket (CI)	63552(2)	63552(2)	RV Diaphragm (CI)	63305	63346
RV Diaphragm (Brz)	63505	63345	RV Diaphragm (Brz)	63505	63345
RV Diaphragm (CI)	63305	63346	O-Ring	98318	19110
O-Ring	98318	19110	O-Ring	98319	98354
O-Ring	98319	98354	O-Ring	98337(2)	98352(2)
O-Ring	98339(2)	98349(2)	Complete Parts Kit (CI)	63650	63654
Complete Parts Kit (CI)	63543	63554	Complete Parts Kit (Brz)	63643	63644
Complete Parts Kit (Brz)	63550	63544			
	3" COLD WATER	3" HOT WATER		8" COLD WATER	10" COLD WATER
RV Disc	60237(2)	60237(2)	RV Disc	63835(2)	63835(2)
Diaphragm Plate Gasket	60239	60239	RV Gasket	63837	63837
RV Housing Gasket	60644	60644	MV & CV Disc	63810(2)	63910(2)
MV & CV Disc	62334(2)	62334(2)	MV & CV Cover Gasket	63804(2)	63904(2)
MV & CV Cover Gasket	63304(2)	63304(2)	RV Diaphragm	61479	61479
RV Diaphragm (CI)	63305	63346	O-Ring	98339	98339
RV Diaphragm (BRZ)	63505	63345	O-Ring	98341	98340
O-Ring	98318	19110	O-Ring	98342	98341
O-Ring	98319	98354	O-Ring	98343	98342
O-Ring	98335(2)	98350(2)	Complete Parts Kit	63850	63950
Complete Parts Kit (CI)	63350	63354			
Complete Parts Kit (Brz)	63343	63344			
	4" COLD WATER	4" HOT WATER			
RV Disc	60237(2)	60237(2)			
Diaphragm Plate Gasket	60239	60239			
RV Housing Gasket	60644	60644			
MV & CV Disc	62335(2)	62335(2)			
MV & CV Cover Gasket	63404(2)	63404(2)			
RV Diaphragm (CI)	63305	63346			
RV Diaphragm (Brz)	63505	63345			
O-Ring	98318	19110			
O-Ring	98319	98354			
O-Ring	98336(2)	98351(2)			
Complete Parts Kit (CI)	63450	63454			
Complete Parts Kit (Brz)	63443	63444			

MODEL 6CM RUBBER PARTS KITS
Cold Water/Hot Water