

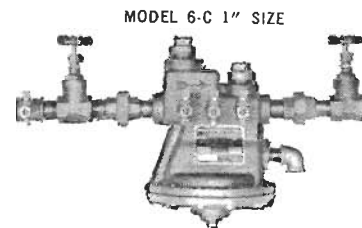
## Aergap Model 6C Reduced Pressure Backflow Preventer (1" through 10")

### DESCRIPTION

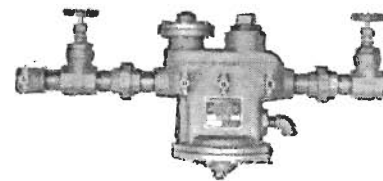
The Beeco Model 6C backflow preventer is an economical, easily repaired in-line, reduced pressure device. Both check valves and the relief valve are spring loaded poppet type of modular design so that the complete assembly, including valve, spring and seat, can be removed and replaced using low cost replacement kits.

All parts are made from corrosion resistant materials. The compact design places the sensing diaphragm and passage within the unit housing to eliminate the danger of malfunction due to vandalism and mechanical damage.

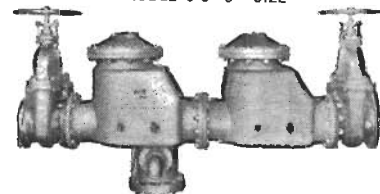
The Model 6C features the *Aergap* principle which provides the highest level of protection against backsiphonage by creating an internal air gap whenever supply pressure is reduced to atmosphere or lower.



MODEL 6-C 1 1/2" SIZE

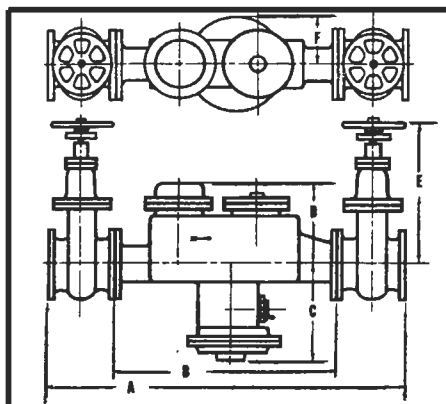


MODEL 6-C 8" SIZE



### SPECIFICATIONS

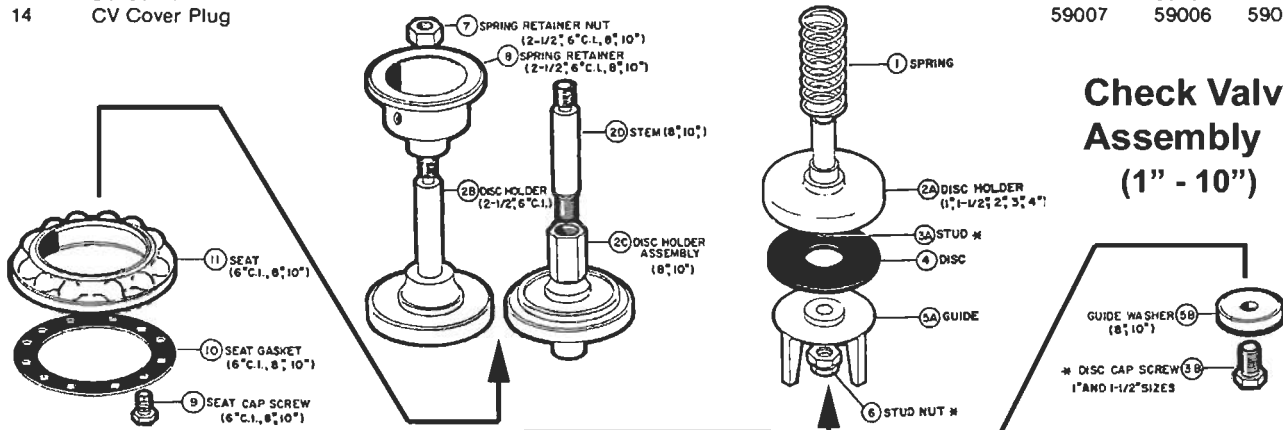
BODY	BRONZE (8" & 10" CAST IRON)
WORKING PARTS	BRONZE AND STAINLESS STEEL
CHECK VALVE DISCS	NEOPRENE
O-RINGS	BUNA-N
DIAPHRAGM	NEOPRENE COATED COTTON DUCK
SPRINGS	PLASTIC COATED CARBON STEEL/STAINLESS STEEL
SCREWS	STAINLESS STEEL
MAXIMUM WORKING PRESSURE	175 psi
HYDROSTATIC TEST PRESSURE	350 psi
TEMPERATURE RANGE	33°F-145°F
ALSO AVAILABLE FOR HOT WATER APPLICATIONS	



Dimensions & Weights													
Size	*1	*1 1/2	*2	2 1/2	3	4	6 CI	6 BR	8	10	1	1 1/2	2
End Detail	SCR	SCR	SCR	FLG	FLG	FLG	FLG	FLG	FLG	FLG	FLG	FLG	FLG
GPM	50	100	160	225	320	500	1000	1000	1600	2300	50	100	160
A	12 5/8"	18"	18 3/8"	35 1/8"	40 1/8"	46 5/8"	62 1/8"	59 5/8"	90 3/4"	100 1/4"	18 1/4"	25 1/2"	31"
B	8 1/4"	12 1/4"	12"	20"	24"	28 1/2"	41"	38 1/2"	67 3/4"	74 1/4"	11 1/8"	16 3/8"	16 7/8"
C	8 1/4"	8 1/2"	11 1/4"	11"	11"	12"	14 1/2"	13 3/8"	21"	22"	8 1/4"	8 1/2"	11"
D	5"	6 1/4"	9 7/8"	7 1/4"	8 1/2"	10"	15 1/2"	13 13/16"	21"	22"	5"	6 1/4"	10"
E	5 3/16"	7 1/16"	8 5/8"	13 3/4"	15 1/2"	18 3/4"	21 1/4"	24"	27 1/2"	33"	5 3/4"	7 1/4"	13"
F	4 1/2"	4 1/2"	5 1/4"	5 1/4"	5 1/4"	5 1/2"	10"	10 1/16"	13"	13"	4 1/2"	4 1/2"	5 1/4"
Relief Valve Opening	3/4"	3/4"	1 1/4"	1 1/4"	1 1/4"	2"	2"	2"	3"	3"	3/4"	3/4"	1 1/4"
Size of Test Cocks	1/4"	1/4"	1/4"	1/2"	1/2"	3/4"	3/4"	3/4"	3/4"	1/4"	1/4"	1/4"	1/4"
Net Wt. No Valves Lbs.	47	70	105	130	170	260	730	485	1750	2450	50	80	115
Net Wt. With Valves Lbs.	50	75	115	235	315	480	1100	825	2350	3400	65	95	200
Gross Wt. No Valves Lbs.	50	80	130	160	200	300	840	575	2000	2800	60	90	140
Gross Wt. With Valves Lbs.	55	100	140	280	360	540	1230	925	2700	3800	90	120	230

\*Maximum Rated Flows AWWA Standard C506-69 — Backflow Preventers. \*May be longer depending on type and model gate valves available. Performance Charts available on request

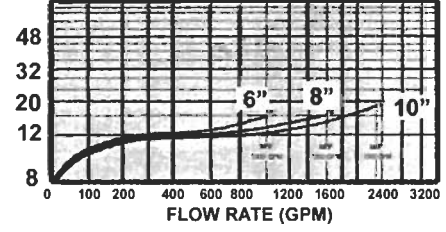
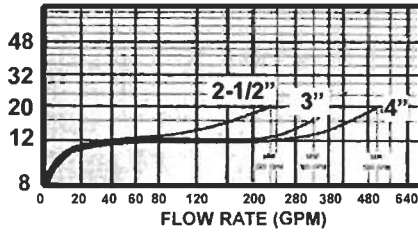
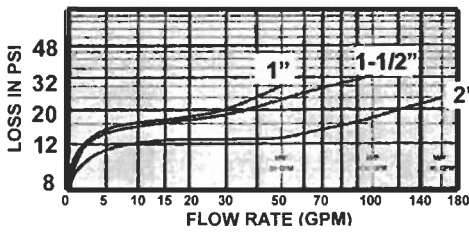
#	Description	1"	1-1/2"	2"	2-1/2"	3"	4"	6" Brz	6" Iron	8"	10"
1	CV Spring	61435	62086	61824	62116	61840	61869	61485	61904	61764	62241
2A	CV Disc Holder	61652	62120	61810	62112	61836	61855	61894	61892	61954	
2C	CV Disc Holder Assembly									61961	62235
2D	CV Stem									90348	62238
3A	CV Stud			90182	90182	90234	90234	90344			90348
3B	CV Disc Cap Screw	90370	90065	61152	61152	61506	61476				
4	CV Disc	61657	62084	61449	61522	61374	61865	61895	61476	61757	61699
5A	CV Guide	61644	62083	90183	61519	61838	90235	90345	61895	61754	62236
5B	CV Guide Washer									63820	61827
6	CV Stud Nut				90183	90235			90345	90345	90345
7	CV Spring Retainer Nut				90069				90341	90341	90373
8	CV Spring Retainer				62113				61893	61956	62234
9	CV Seat Cap Screw								90065	90070	90070
10	CV Seat Gasket								61906	61960	62239
11	CV Seat								61905	62027	62237
12	CV Cover Gasket				62117	61837	61866	61898	61907	61927	62240
13A	CV Cover Cap Screw			90180	90180	90180	90236				
13B	CV Cover Bolt								90342	90364	90371
13C	CV Cover Nut								90343	90358	90372
14	CV Cover Plug								59007	59006	59006



**Check Valve Assembly (1" - 10")**

**MODEL 6C**

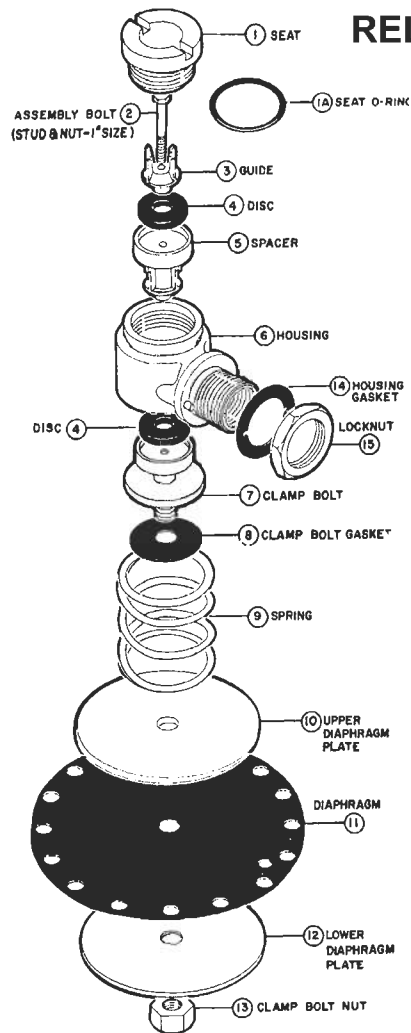
**FLOW CURVES**



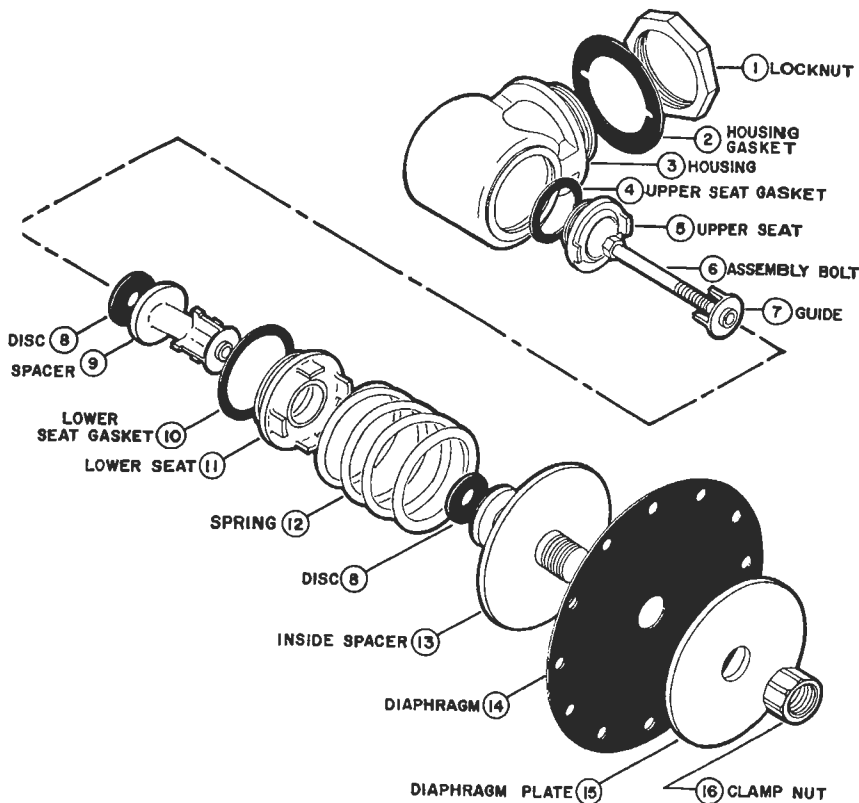
#	Description	1"	1-1/2"	2"	2-1/2"	3"	4"
1	MV Spring Retainer Nut		90069	90181	90069	90233	90341
2	MV Spring Retainer		62088	61806	62113	61833	61853
3	MV Spring	61653	62090	61822	62115	61839	61868
4A	MV Disc Holder	61652	62082	61807	62112	61832	61852
5	MV Disc	61657	62084	61152	61522	61374	61506
6A	MV Guide	61644	62083	61449	61519	61838	61865
7A	MV Stud	90370	90065 (7B)	90182	90182	90234	90234
8	MV Stud Nut		90183	90183	90183	90235	90235
13	MV Cover Gasket		62119	61819	62117	61837	61866
14A	MV Cover Cap Screw		90180	90180	90180	90180	90180
	MV Seat			61823			

#	Description	6" Brz	6" Iron	8"	10"
1	MV Spring Retainer Nut	90341	90341	90341	90373
2	MV Spring Retainer	61893	61893	61957	62234
3	MV Spring	61899	61899	61959	61692
4A	MV Disc Holder	61892	61892		
4C	MV Disc Holder Assembly			61954	62235
5	MV Disc	61476	61476	61757	61699
6A	MV Guide	61895	61895	61754	62236
6B	MV Guide Washer			63820	63820
7A	MV Stud	90344	90344	90348	90348
8	MV Stud Nut	90345	90345	90345	90345
9	MV Stem			61961	62238
10	MV Seat Cap Screw			90065	90070
11	MV Seat Gasket			61906	61960
12	MV Seat			61905	62027
13	MV Cover Gasket	61898	61907	61927	62240
14A	MV Cover Cap Screw	90236			
14B	MV Cover Bolt			90342	90364
14C	MV Cover Nut			90343	90358
15	MV Cover Plug			59007	59006



## RELIEF VALVE (1" - 6")



## RELIEF VALVE (8" - 10")

### MODEL 6C RELIEF VALVE PARTS

#	Description	Material						
		1" - 1-1/2"	2" - 3"	Bronze 4", 6"	Cast Iron 6"			8", 10"
1	RV Seat	61669	61805	61858	61858	1	RV Lock Nut	61691
1A	RV Seat O-Ring	61292	61291	98317	98317	2	RV Housing Gasket	61698
2	RV Assembly Bolt	61656	90068	90184	90184	3	RV Housing	61688
3	RV Guide	61673	61809	61379	61379	4	RV Upper Seat Gasket	61482
4	RV Disc	61658	61821	61210	61210	5	RV Upper Seat	61466
5	RV Spacer	61667	61808	61205	61205	6	RV Assembly Bolt	90346
6	RV Housing	61666	61803	61857	61857	7	RV Guide	61471
7	RV Clamp Bolt	61665	61812	61860	61860	8	RV Disc	68385
8	RV Clamp Bolt Gasket	61674	61817	61817	61817	9	RV Spacer	61470
9	RV Spring	61655	61820	61867	61867	10	RV Lower Seat Gasket	61481
10	RV Upper Diaphragm Plate	61650	61813	61861	61861	11	RV Lower Seat	61487
11	RV Diaphragm	61662	61815	61863	62052	12	RV Spring	61503
12	RV Lower Diaphragm Plate	61651	61814	61862	61862	13	RV Inside Spacer	61494
13	RV Clamp Bolt Nut	90336	90341	90341	90341	14	RV Diaphragm	61479
14	RV Housing Gasket	61661	61816	61864	61864	15	RV Diaphragm Plate	61475
15	RV Lock Nut	61664	61102	61870	61870	16	RV Clamp Nut	61483
	RV Drain Plug	59007	59007	59007	59007		RV Cover Bolt	90347
	RV Cover Cap Screw	90180	90180	90236			RV Cover Nut	90343
	RV Close Nipple	96055	96243	96077	96077		RV Drain Plug	59007
	RV Elbow	96036	96179	96039	96039		RV Street Elbow	96255
	RV Cover Plate			61859				
	RV Cover Bolt				90342			
	RV Cover Nut				90343			

## MODEL 6C

### Rubber Parts Kits

	<b>SIZE: 1"</b>	
<i>Rubber Parts Kit</i>		61225
MV and CV Disc		61657
RV Disc		61658
RV Diaphragm		61662
RV Clamp Bolt Gasket		61674
RV Housing Gasket		61661
RV Seat O-Ring*		61292

	<b>SIZE: 1½"</b>	
<i>Rubber Parts Kit</i>		61226
MV Cover Gasket		62119
MV and CV Disc		62084
RV Disc		61658
RV Diaphragm		61662
RV Clamp Bolt Gasket		61674
RV Housing Gasket		61661
RV Seat O-Ring*		61292

	<b>SIZE: 2"</b>	
<i>Rubber Parts Kit</i>		61227
MV Cover Gasket		61819
MV and CV Disc		61152
RV Disc		61821
RV Diaphragm		61815
RV Clamp Bolt Gasket		61817
RV Housing Gasket		61816
RV Seat O-Ring*		61291

	<b>SIZE: 2½"</b>	
<i>Rubber Parts Kit</i>		61228
MV and CV Cover Gasket		62117
MV and CV Disc		61522
RV Disc		61821
RV Diaphragm		61815
RV Clamp Bolt Gasket		61817
RV Housing Gasket		61816
RV Seat O-Ring*		61291

	<b>SIZE: 3"</b>	
<i>Rubber Parts Kit</i>		61229
MV and CV Cover Gasket		61837
MV and CV Disc		61374
RV Disc		61821
RV Diaphragm		61815
RV Clamp Bolt Gasket		61817
RV Housing Gasket		61816
RV Seat O-Ring*		61291

	<b>SIZE: 4"</b>	
<i>Rubber Parts Kit</i>		61230
MV and CV Cover Gasket		61866
MV and CV Disc		61506
RV Disc		61210

RV Diaphragm	61863
RV Clamp Bolt Gasket	61817
RV Housing Gasket	61864
RV Seat O-Ring*	98317

	<b>SIZE: 6" BRONZE CASE</b>	
<i>Rubber Parts Kit</i>		61232
MV and CV Cover Gasket		61898
MV and CV Disc		61476
RV Disc		61210
RV Diaphragm		61863
RV Clamp Bolt Gasket		61817
RV Housing Gasket		61864
RV Seat O-Ring*		98317

	<b>SIZE: 6" CAST IRON</b>	
<i>Rubber Parts Kit</i>		61231
MV and CV Cover Gasket		61907
MV and CV Disc		61476
MV and CV Seat Gasket		61906
RV Disc		61210
RV Clamp Bolt Gasket		61817
RV Diaphragm		62052
RV Housing Gasket		61864
RV Seat O-Ring*		19210

	<b>SIZE: 8"</b>	
<i>Rubber Parts Kit</i>		61233
MV and CV Cover Gasket		61927
MV and CV Disc		61757
RV Disc		61478
RV Diaphragm		62242
RV Housing Gasket		61698
MV and CV Seat Gasket		61960
RV Upper Seat Gasket		61482
RV Lower Seat Gasket		61481
Center Flange Gasket		95146

	<b>SIZE: 10"</b>	
<i>Rubber Parts Kit</i>		61234
MV and CV Cover Gasket		62240
MV and CV Disc		61699
MV and CV Seat Gasket		62239
RV Disc		61478
RV Diaphragm		62242
RV Housing Gasket		61698
RV Upper Seat Gasket		61482
RV Lower Seat Gasket		61481
Center Flange Gasket		95147

\*Not required for devices manufactured prior to 1968

### Main & Check Valve Assemblies

SIZE	PART
1"	62401
1½"	62403
2"	62406
2½"	62410
3"	62413
4"	62416
6"	62418
6" (Iron)	62421
8"	62423
10"	62427

### Relief Valve Assemblies

SIZE	PART
1"	61221
1½"	61221
2"	61222
2½"	61222
3"	61222
4"	61223
6"	61223
6" (Iron)	61220
8"	62423
10"	62427

*American Backflow Specialties*

[www.americanbackflow.com](http://www.americanbackflow.com)

(800) 66-BKFLO

(619) 527-2525

Fax: (619) 527-2527