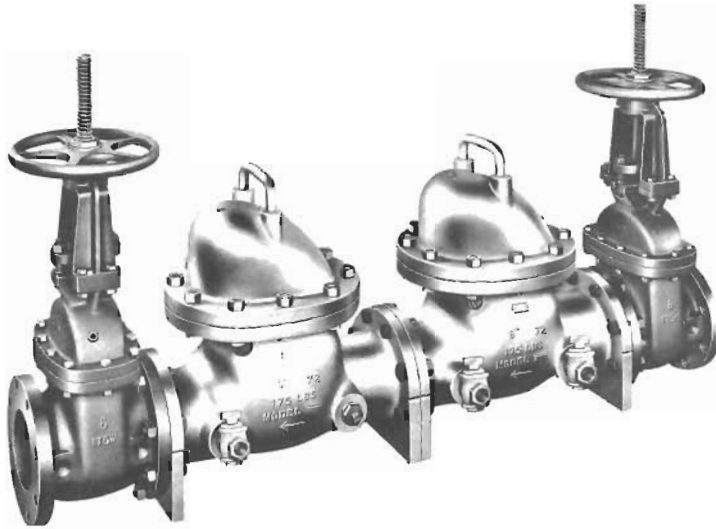


American Backflow Specialties

(800) 66-BKFLO (619) 527-2525 Fax: (619) 527-2527
www.americanbackflow.com



ITT Grinnell KENNEDY VALVE

Division of ITT Grinnell Valve Co. Inc.

MODEL 1372 LESS GATE VALVES

MODEL 1373 WITH NRS GATE VALVES

MODEL 1374 WITH O.S.&Y. GATE VALVES

DESCRIPTION

This ITT Grinnell Backflow Assembly is designed for use in water lines to prevent nonpotable water from entering the potable water system.

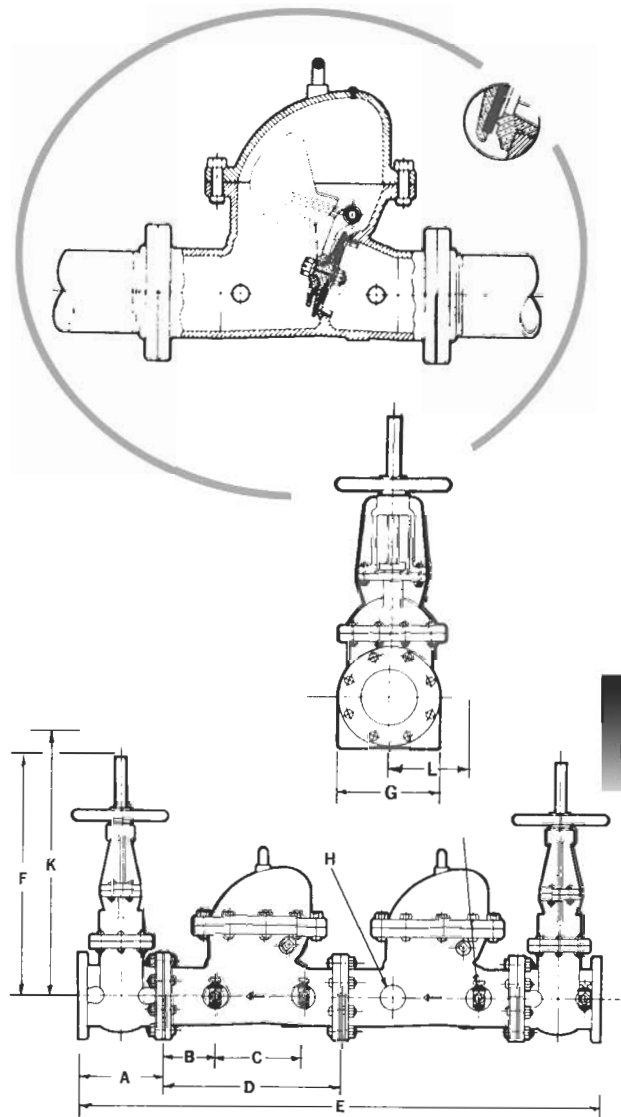
Components of the assembly include two galvanized iron ITT Grinnell Detector Check Valves, connected in series with two gate valves. Kennedy O.S.&Y., fig. 68, gate valves are used on fire service lines and Kennedy, Fig. 561X, on domestic service lines. Four 3/4 inch standard bronze test cocks are included in each assembly.

The weighted disc check valves are designed to hold driptight against a pressure of 1.5 psi in the direction of flow and to prevent leakage in the direction reverse to normal flow. Each valve has a rubber faced disc, hard rubber bushings and a beaded seat ring. The disc arm to disc connection utilizes a ball socket arrangement to assure uniform seating. ITT Grinnell Backflow Prevention Assemblies are available in 4, 6, 8 and 10 inch sizes.

APPROVALS

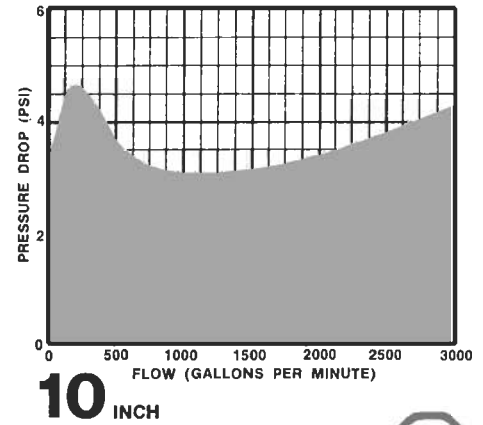
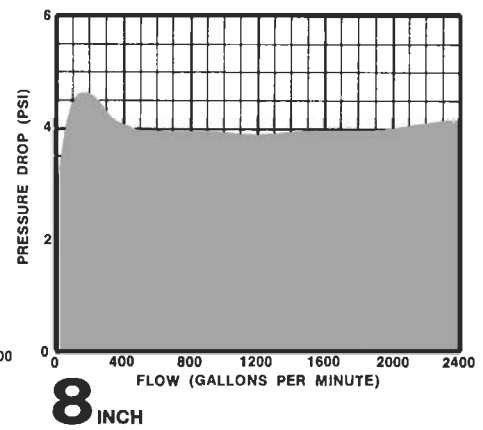
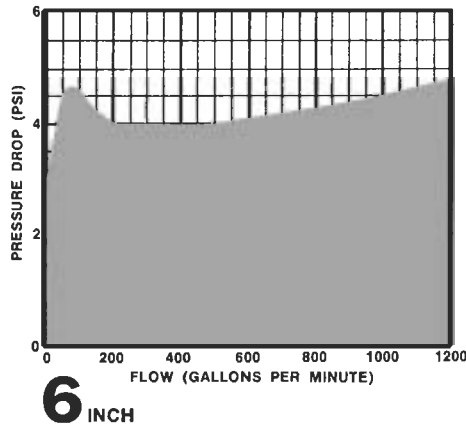
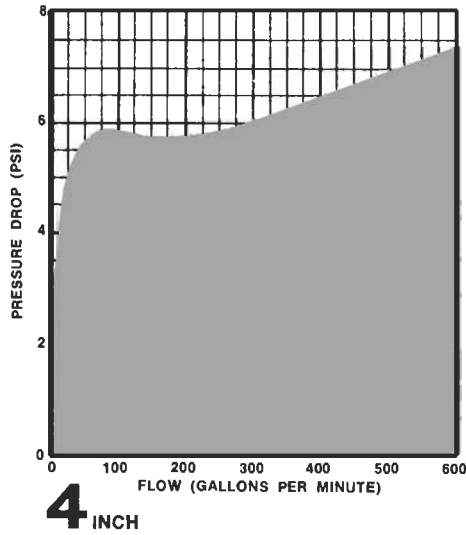
City of Los Angeles and by the Research Foundation for Cross Connection Control at the University of Southern California.

DIMENSIONS



SIZE	A	B	C	D	E	F O.S.&Y.		G	H	J	K	L	F (NRS)
						Open	Closed						
4	9	4.75	7	16.50	51.18	22.75	18.25	9	1	1 x 3/4	17.5	9.5	13.97
6	10.50	6.62	11	22.50	66.18	30.88	24.38	11	1.50	1 1/2 x 3/4	23	10	17.62
8	11.50	7	13.75	26.50	76.18	40.25	31.5	13.50	2	2 x 3/4	29	11.5	21.62
10	13	6	24.50	36	98.18	47.06	36.25	16	2	2 x 3/4	33	13	25.38

FLOW CURVES



REPAIR KITS

- KBF013 - 4" Check Valves (2) Complete
- KBF014 - 6" Check Valves (2) Complete
- KBF015 - 8" Check Valves (2) Complete
- KBF016 - 10" Check Valves (2) Complete

INDIVIDUAL PARTS

Part No.	DESCRIPTION	MATERIAL	A.S.T.M. SPEC
1	Handle	Hot Rolled Steel	A-107 Grade C
2	Vent Screw	Brass	B-16
3	Washer	Lead	
4	Weight	Lead	
5	Cover	Galvanized Cast Iron	A-126 Class B
6	Pin	Brass Rod	B-16
7	Cover Gasket	Composition	
8	Hinge	Bronze	B-62
9	Hex Heads Bolts & Nuts	Gal. or Cad. Plated Steel	A-307 Grade B
10	Hinge Bushing	Rubber	
11	Disc Holder	Bronze	B-62
12	Disc	Rubber	
13	Seat Ring	Bronze	B-62
*14	Hinge Pin	Phos. Bronze Rod	B-139
15	Gasket	Fiber	
16	Side Plug	Bronze	B-62
17	Disc Plate	Bronze	B-62
*18	Hex Disc Nut	Brass	B-16
*19	Cotter Pin	Brass	B-16
20	Bushing	Bronze	B-62
*21	"O" Ring	Rubber	
*22	Washer	Brass	B-16
23	Pipe Plug	Bronze	B-62
24	Body	Cast Iron	A-126 Class B
25	Disc Pin (4" only)	Brass	B-16

*Except 4"

