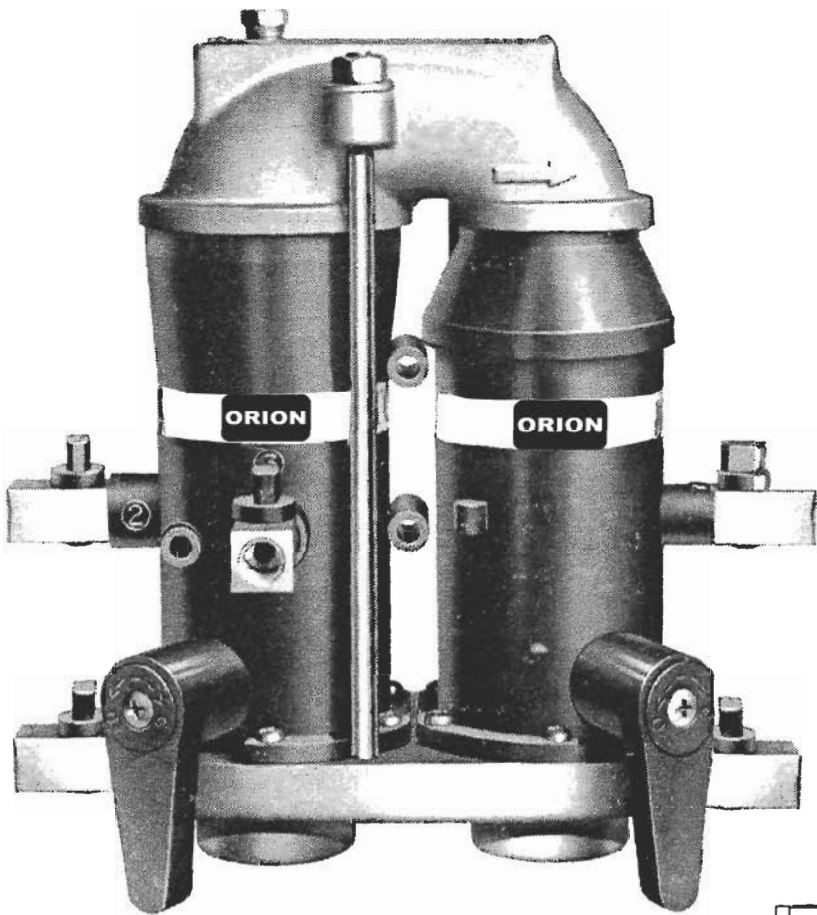
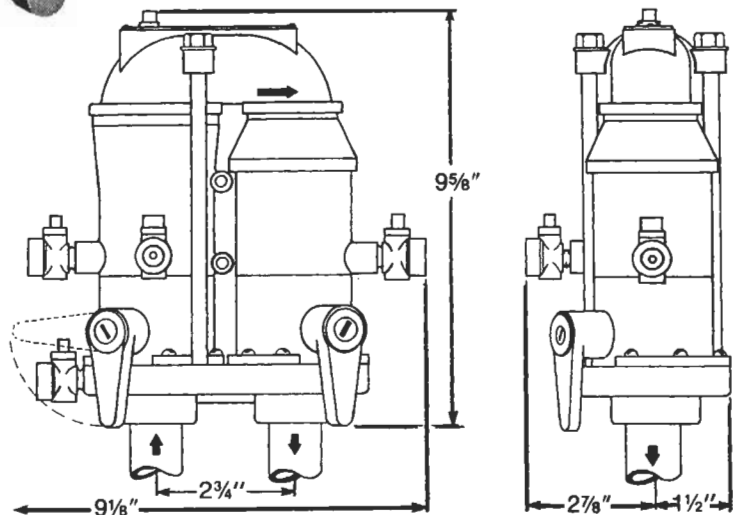


ORION

Model BDC 3/4" - 1"



DIMENSIONS



CHARACTERISTICS

Compact — lightweight — only six pounds.

Base-mounted integral ball valves.

Minimal pressure loss.

Body and internal parts of corrosion-resistant engineering plastic.

Operating pressure 150 psi.

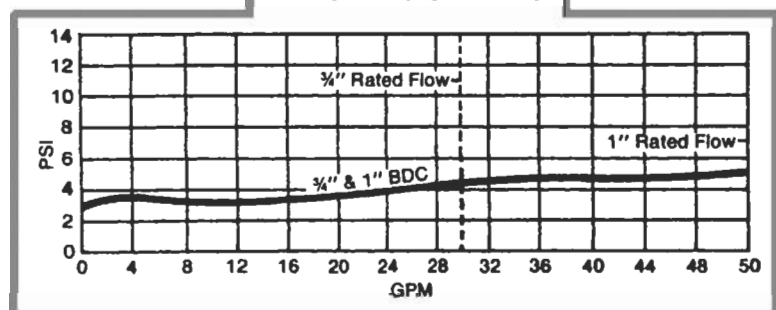
Operating temperature 150°F maximum.

Meets performance specifications of AWWA C-506.

Approved by USC Foundation for Cross Connection Control.

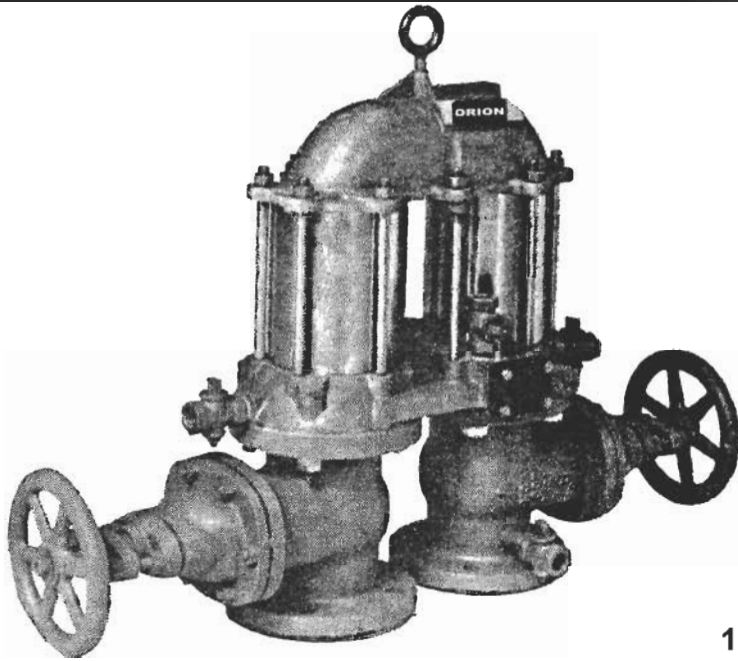
I.A.P.M.O., A.S.S.E. and S.B.C.C.I. Listed

FLOW CURVES



ORION

Model BDC 3" - 4"



CHARACTERISTICS

Compact — lightweight — 3": 66 lbs. (w/o valves)
4": 88 lbs. (w/o valves)

Flexible, multi-directional bottom mount permits time saving installation.

Valve options: NRS gate valves, OS & Y gate valves, Butterfly valves and Less valves.

Internal parts of corrosion resistant engineering plastic, copper alloy and stainless steel.

Copper alloy base and cover, stainless steel casing.

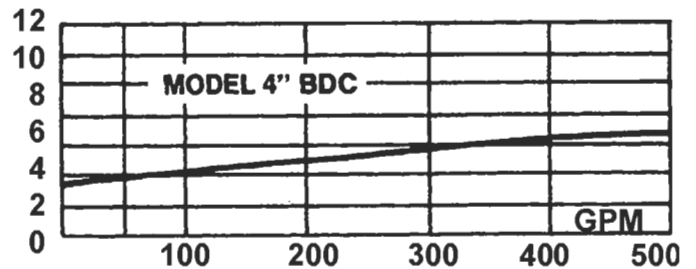
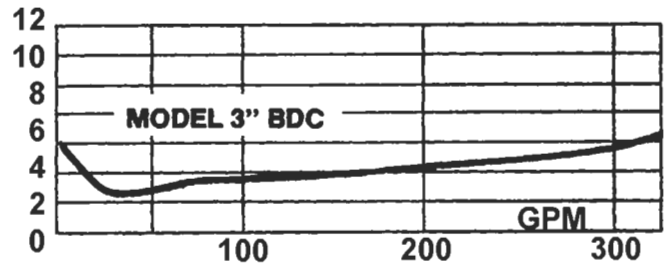
Low friction loss.

Operating pressure 150 psi.

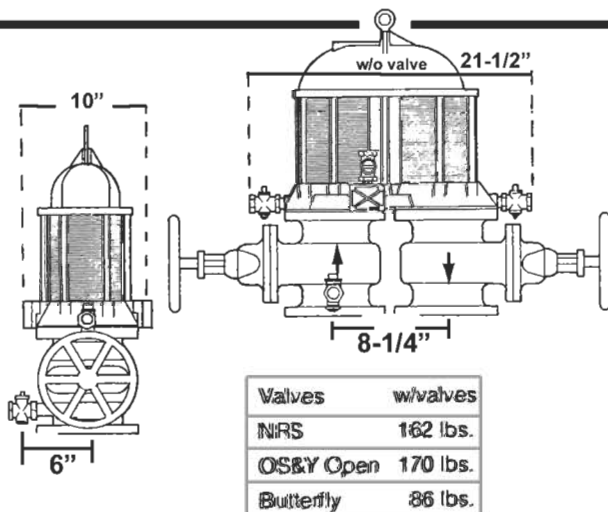
Operating temperature 150°F max.

Meets performance specifications of AWWA C-506 and USC Foundation for Cross Connection Control. IAPMO, ASSE and S.B.C.C.I. Listed.

FLOW CURVES



DIMENSIONS & WEIGHTS



Valves	w/valves
NRS	250 lbs.
OS&Y Open	268 lbs.
Butterfly	115 lbs.

