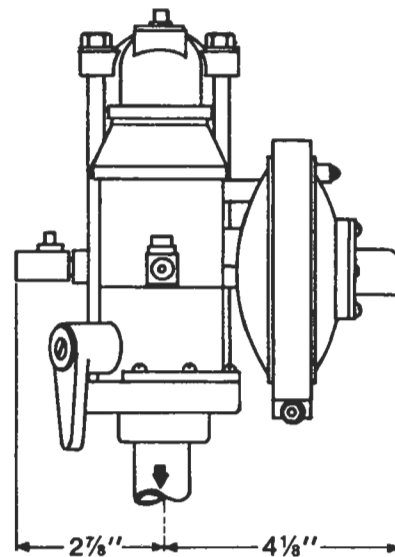
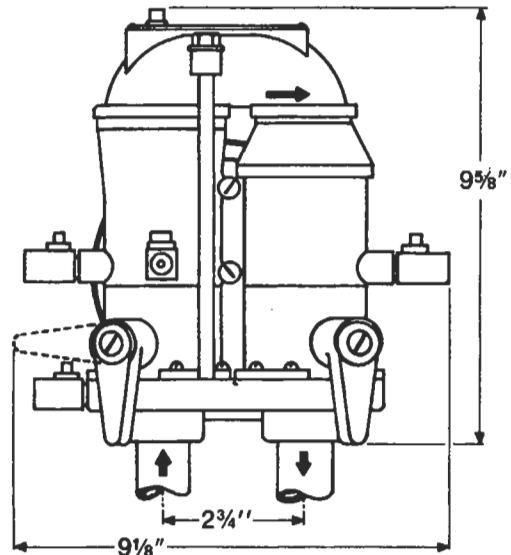


## ORION

### Model BRP 3/4" - 1"

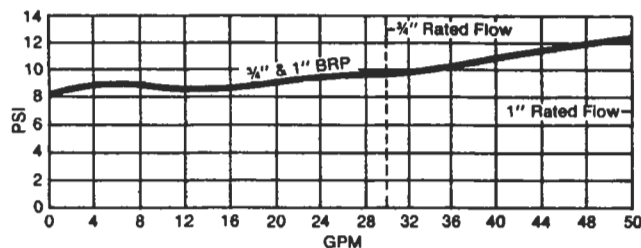
#### DIMENSIONS

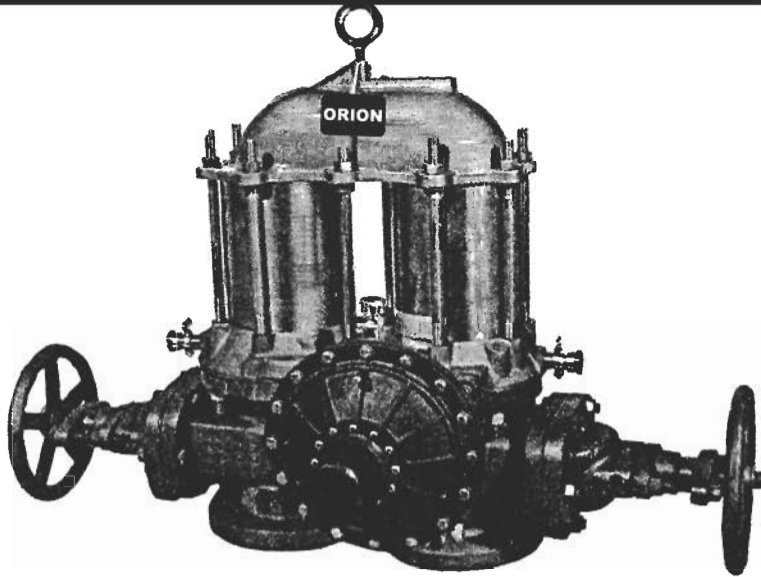


#### CHARACTERISTICS

- Exclusive Anti Spit Relief Valve
- Compact — lightweight — only seven pounds.
- Base-mounted integral ball valves.
- Minimal pressure loss.
- Body and internal parts of corrosion-resistant engineering plastic.
- Operating pressure 150 psi.
- Operating temperature 150°F maximum.
- Meets performance specifications of AWWA C-506.
- Approved by USC Foundation for Cross Connection Control.
- I.A.P.M.O., A.S.S.E. and S.B.C.C.I. Listed

#### FLOW CURVES





## Model BRP 3-4"

Relief Valve & Test Cocks shown in standard L.H. mount. For field conversion to R.H. mount, order RV conversion Kit No.80-0383.

### DIMENSIONS

Valves	A	B	w/valves
NRS	33-3/4"	24-7/8"	169 lbs.
OS&Y Open	42-3/4"	24-7/8"	177 lbs.
Butterfly	20-3/8"	20-3/4"	93 lbs.

### CHARACTERISTICS

Compact — lightweight — only 95 pounds (73 lbs. - 3") (without valves).

Flexible, multi-directional bottom mount permits time saving installation.

Valve options: NRS gate valves, OS & Y gate valves, Butterfly valves and Less valves.

Internal parts of corrosion resistant engineering plastic, copper alloy and stainless steel.

Copper alloy base and cover, stainless steel casing.

Operating pressure 150 psi.

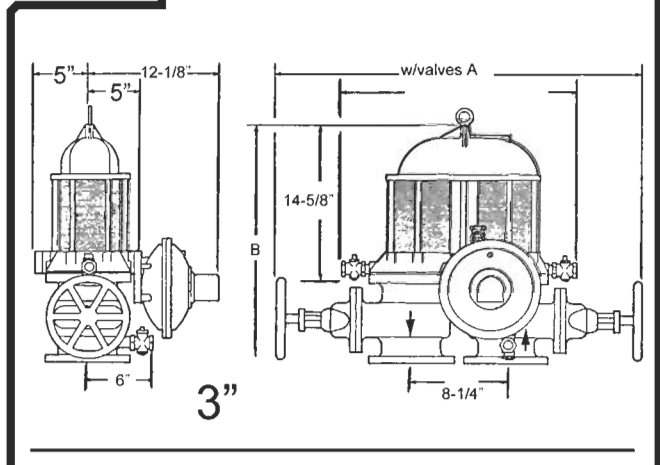
Operating temperature 150° max.

Bottom mount permits installation in vertically upward running pipeline.

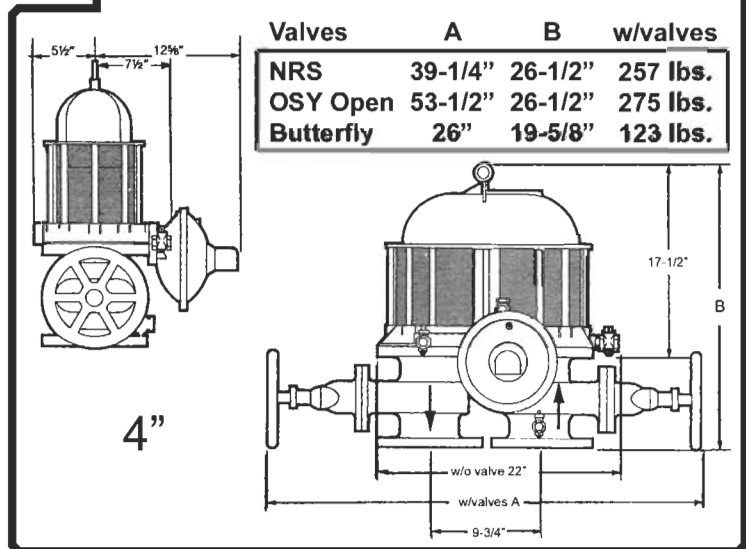
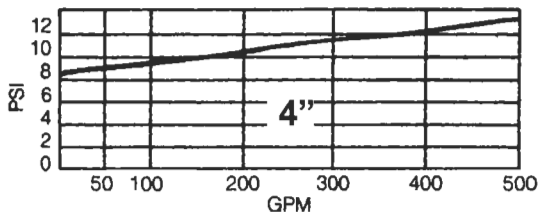
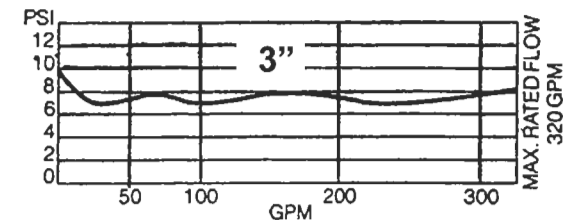
Exclusive anti-spit relief valve.

Meets performance specifications of AWWA C-506.

Approved by USC Foundation for Cross Connection Control. IAPMO. ASSE and SBCCI listed.



### FLOW CURVES



Valves	A	B	w/valves
NRS	39-1/4"	26-1/2"	257 lbs.
OSY Open	53-1/2"	26-1/2"	275 lbs.
Butterfly	26"	19-5/8"	123 lbs.