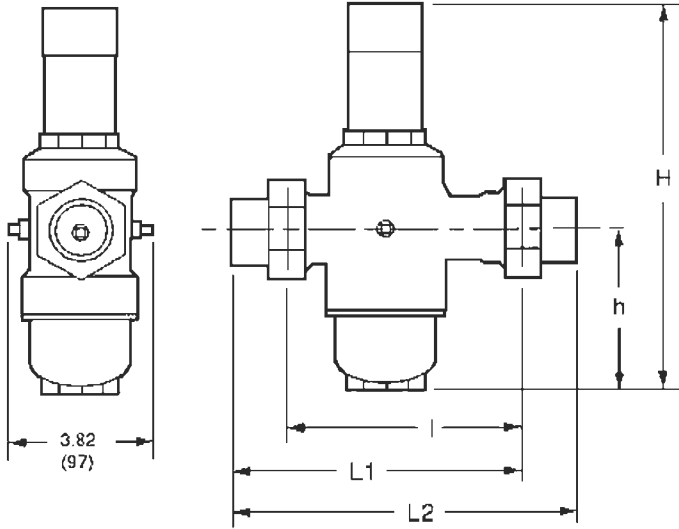




Honeywell Braukmann

Model D06(G) & DS06G "DialSet" Pressure Regulating Valves 1-1/2" & 2"

High quality pressure regulating valve that maintains a constant outlet pressure over a wide range of inlet supply pressures. It is ideally suited for potable water and irrigation applications requiring accurate regulation.



FEATURES

- Non-corroding unitized cartridge contains all working parts and is easily replaceable.
- Outlet pressure range from 15 to 130 psi in all models, inlet rating 400 psi.
- Includes built-in strainer and thermal bypass.
- Narrow design to accommodate restricted installation requirements.
- Balanced seat construction provides superior pressure regulation.
- Inlet & outlet are internally threaded NPT, & externally threaded for union assemblies.
- Gauge taps provided on all models.
- * Includes balanced single seat for accurate pressure output under varying inlet psi.
- * Bronze body with stainless steel and engineered thermoplastic internal parts.
- * DS06G: Built-in factory calibrated psi adjustment dial.

4
Valves

A
Ball Valves

B
Regulators

C
Automatic Control Valves

Certified ASSE 1003, CSA B 356; listed by IAPMO and the City of Los Angeles.

DIMENSIONS

Size (inches)	H	h	l	THREADED		SWEAT	
				L1	L2	L1	L2
1-1/2	11-13/16[299]	5 [126]	6-3/8 [163]	7-13/16[198]	9-3/16[234]	7-7/8[201]	9-3/8[239]
2	11-13/16[299]	5 [126]	6-3/8 [163]	7-7/8[200]	9-5/16[237]	18-5/16[211]	10-3/16[259]

CAPICTY RATINGS

Pressure Regulator Valve Size	Reduced Pressure Fall-Off (PSI)	Pressure Diferential between Inlet and Outlet-No Flow							
		25 psi		50 psi		75 psi		100 psi	
		Flow Capacity (US gpm)	Velocity (ft/sec)	Flow Capacity (US gpm)	Velocity (ft/sec)	Flow Capacity (US gpm)	Velocity (ft/sec)	Flow Capacity (US gpm)	Velocity (ft/sec)
1-1/2 inch	6	13	2.0	15	2.4	17	2.7	21	3.3
	10	36	5.7	43	6.8	46	7.2	54	8.5
	15	65	10.2	76	12.0	84	13.2	96	15.1
2 inch	20	88	13.9	102	16.1	114	18.0	132	20.8
	6	15	1.4	18	1.7	22	2.1	27	2.6
	10	41	3.9	49	4.7	57	5.4	66	6.3
	15	75	7.2	88	8.4	101	9.7	114	10.9
	20	104	9.913.9	124	11.9	141	13.5	163	15.6

D06(G) and DS06G Parts and Accessories

D06G and DS06G (New Style) Parts and Accessories:

ORDER NUMBER	Description
Replacement Parts	
272852	Strainer Cup for D06G and DS06G, 1-1/2 in. and 2 in., includes plastic strainer cup and strainer cup O ring.
272858	Union Gasket, fits all D06 and DS06, 1-1/2 in., 10 per bag.
272859	Union Gasket, fits all D06 and DS06, 2 in., 10 per bag.
272860	Bonnet kit for D06G, 1-1/2 in. and 2 in., includes preassembled bonnet, protection washer, and spring.
272861	Strainer cup for D06G and DS06G, 1-1/2 in. and 2 in., includes brass strainer cup and strainer cup O ring.
272867	Bonnet kit for DS06G, 1-1/2 and 2 in., includes preassembled bonnet, protection washer, and spring.
K06B1030	Strainer Kit for D06G and DS06G, 1-1/2 in. and 2 in., includes strainer, strainer support, and strainer cup O ring.
K06D1044	Cartridge Kit for all D06 and DS06, 1-1/2 in. and 2 in., includes cartridge, cartridge O ring, strainer cup O ring, U seal, and protection washer.
Union Kits	
K06U1037	Union Kit NPT, 1-1/2 in., includes internally threaded tailpiece, union nut, and gasket. Fits all 1-1/2 in. D06 and DS06.
K06U5034	Union Kit Sweat, 1-1/2 in., includes sweat tailpiece, union nut, and gasket. Fits all 1-1/2 in. D06 and DS06.
K06U1045	Union Kit NPT, 2 in., includes internally threaded tailpiece, union nut, and gasket. Fits all 2 in. D06 and DS06.
K06U5042	Union Kit Sweat, 2 in., includes sweat tailpiece, union nut, and gasket. Fits all 2 in. D06 and DS06.
Service Tools	
MT06A1009	Service Tool for bonnet and strainer cup, fits all 1-1/2 in. and 2 in. D06G and DS06G. (Also fits 1 in. and 1-1/4 in. D06U and D06T Valves.)
MT06A1017	Service Tool for bonnet and strainer cup, fits all 1-1/2 in. and 2 in. D06G and DS06G. (Also fits 1-1/2 in. and 2 in. D06U and D06T Valves)
Pressure Gauges	
M39A1032	Pressure Gauge with bottom inlet, 0 to 160 psi.
MT194A1006	Pressure Gauge and recording gauge, with hose bib connection, 0 to 300 psi.

D06T and D06U (Old Style) Replacement Parts

ORDER NUMBER	Description
0900370	Bonnet Assembly, fits 1-1/2 in. and 2 in. D06T and D06U.
2046200	Gasket for 1-1/2 in. D06U.
2469800	Gasket for 2 in. D06U.
2442100	Slide Ring, fits all 1-1/2 in. and 2 in. D06T and D06U.
K06A1019	Replacement Cartridge, Cup, Screen, and O ring, fits all 1-1/2 in. and 2 in. D06T and D06U.
K06B1018	Replacement Cup, Screen and O ring, fits all 1-1/2 in. and 2 in. D06T and D06U.
K06D1017	Replacement Cartridge, fits all 1-1/2 in. and 2 in. D06T and D06U.

American Backflow Specialties

MASTER DISTRIBUTOR

**Many Regulators and Pressure Reducing Valves Not Shown
But Are Still Available.**

**Our Staff is Ready to Help You!
Call 1-800-66-BKFLO
For Regulator Repair Kit Information**