

Series 408OSYRW OS&Y, Resilient Wedge Flanged Gate Valves 2 1/2" – 12" – Epoxy Coated



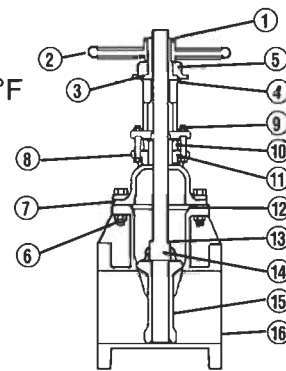
Series 408OSYRW: Resilient wedge disc design offers positive seating and resistance against high differential pressure. Valve is best suited for service in either the fully open or closed position, but is also suitable as a throttling valve. Recommended for fire main shutoff and distribution service.

Standards

Face-to-face dimensions and end flanges of the valves comply with the American Standard (ANSI B16.10) for Class 125 cast iron flanged valves. The flanges are flat faced and smooth finished.

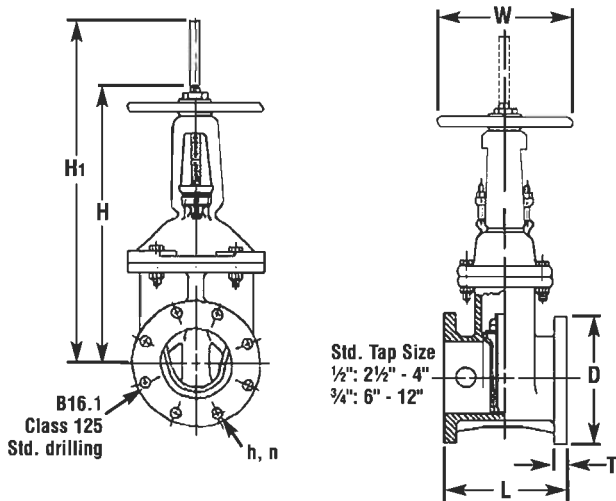
Features

- ASTM A126 Class B Cast Iron
- Full port flow, low head loss
- Fusion bonded coating, internal and external
- Encapsulated resilient wedge
- Easy in-line service
- Replaceable disc
- Boss-tapped and plugged
- MSS-SP-70 conformance
- 250psi CWP, non-shock
- Maximum Temperature: 140°F



Materials

No.	Parts	Material	ASTM Designation
1	Handwheel Nut	Bronze (AWWA Grade A)	B584 CDA 8454
2	Handwheel	Cast Iron	A126 Class B
3	Upper Thrust Washer	Brass	B36 CDA 26D
4	Lower Thrust Washer	Nylatron	
5	Yoke Nut	Manganese Bronze	B584 CDA 862
6	Hex. Head Cover, Bolt & Nuts	Zinc Plated Steel	A307/A563
7	Bonnet	Cast Iron	A126 Class B
8	Packing Bolts	Zinc Plated Steel	A307
9	Packing Bolt Nuts	Brass	A563
10	Packing Gland	Cast Iron	A126 Class B
11	Packing	Sq. Braided Non-Asbestos	
12	O-ring	Buna-N	
13	O-ring (Stem)	Buna-N	
14	Stem Assembly	Bronze	B584/B21
15	Wedge Disc	CI SBR Coated	A126 Class B
16	Body	Cast Iron	A126 Class B



Dimensions

Size	L	Flange Dimensions				T	W	H	H1	Weight
		D	Bolt Holes							
			h	n						
2 1/2	7 1/2	7	5/8	4	1 1/16	7 1/4	13 7/8	16 3/8	55	
3	8	7 1/2	5/8	4	3/4	10	15 5/8	18 7/8	70	
4	9	9	5/8	8	15/16	10	18 1/4	22 3/4	100	
6	10 1/2	11	3/4	8	1	12	23 3/4	30 1/8	150	
8	11 1/2	13 1/2	3/4	8	1 1/8	14	29 1/4	37 3/4	250	
10	13	16	7/8	12	1 3/16	18	35 3/8	45 3/4	400	
12	14	19	7/8	12	1 1/4	18	40 3/8	53 1/8	580	