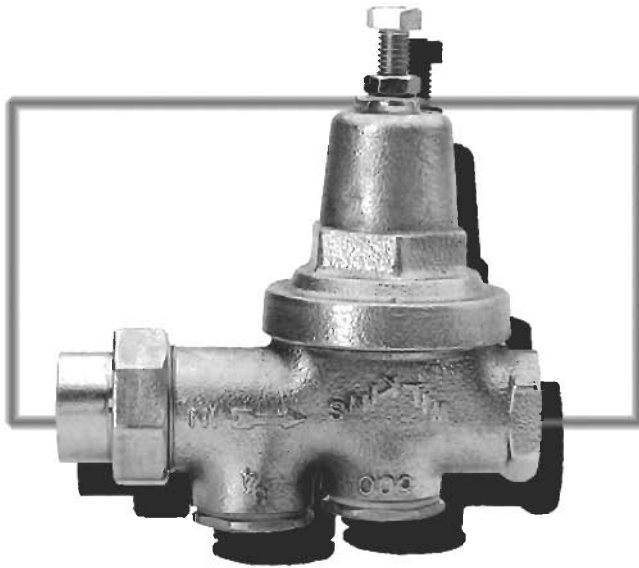


## WILKINS

a ZURN company

### Series 600 Pressure Regulating Valve 1/2" to 2"



#### FEATURES

Maximum working water pressure	300 psi
Maximum working water temperature	180°F
Reduced pressure range (standard)	25 psi to 75 psi
Factory preset	50 psi
Hydrostatic test pressure	300 psi
End connections Threaded	ANSI B1.20.1
CPVC tailpiece:	
Maximum hot water temperature	180°F @ 100 psi
Cold water rated temperature	73.4°F @ 400 psi

#### OPTIONS (Suffixes can be combined)

- standard with 20 mesh strainer screen
- C - copper sweat connection (3/4" thru 2")
- DM - double male meter tailpiece connection (3/4"); 1" National Hose Thread fits 5/8" x 3/4" and 3/4" water meters (no union included)
- HR - 75 psi to 125 psi spring range, factory set at 85 psi
- HLR - 10 psi to 125 psi spring range, factory set at 50 psi
- HT - 210°F maximum temp
- L - less integral by-pass check valve
- LU - less union assembly, female x female
- LPV - 210°F maximum temp with 10 psi to 35 psi spring range, factory set at 20 psi
- LPC - 180°F maximum temp with 10 psi to 35 psi spring range, factory set at 20 psi
- SC - sealed cage bell housing and stainless steel adjustment screw
- 610 - 400 psi inlet rating and 75 psi to 125 psi spring range, factory set at 85 psi
- P - tapped and plugged for gauge
- CPVC - CPVC tailpiece connection (3/4"-1")

#### STANDARDS

- ASSE® Listed 1003
- IAPMO® Listed
- CSA® Certified
- City of Los Angeles Approved

#### MATERIALS

Main valve body	Cast Bronze ASTM B 584
Access covers	Cast Bronze ASTM B 584
	Brass ASTM B 16
Fasteners	Stainless Steel, 300 Series
Stem & plunger	Cast Bronze ASTM B 584
	Brass ASTM B 16
Elastomers	Buna Nitrile, (FDA Approved)
	EPDM, (FDA Approved)
Cap gaskets	Natural Vulcanized Fibre
	Acetal (Delrin™), NSF Listed
Strainer screen	Stainless Steel, 300 Series

**4**  
Valves

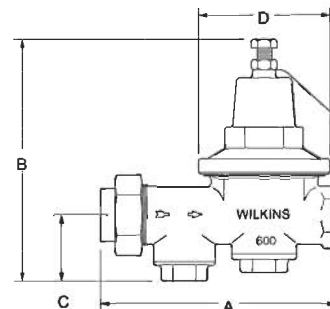
**A**  
Ball Valves

**B**  
Regulators

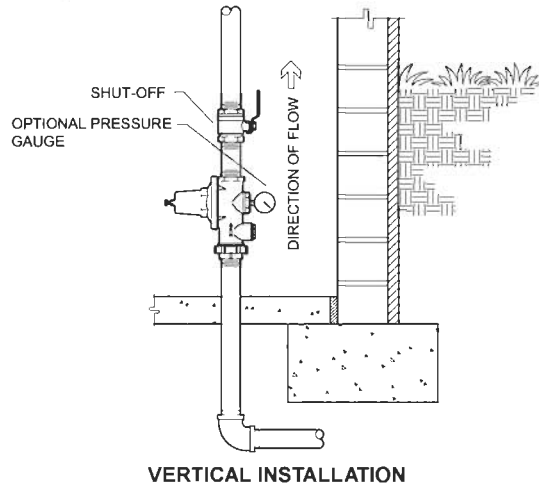
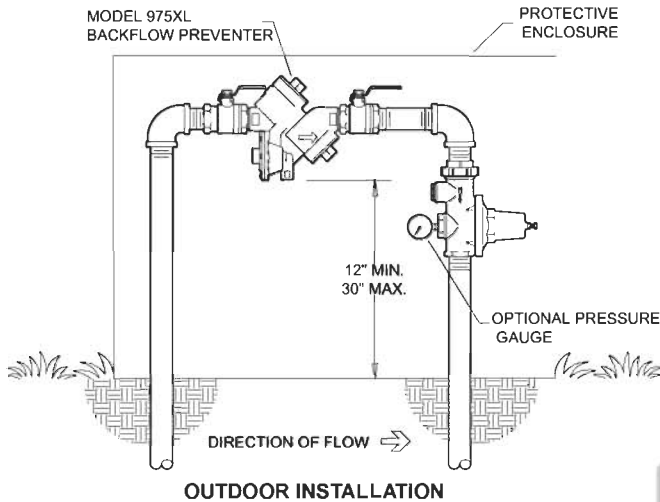
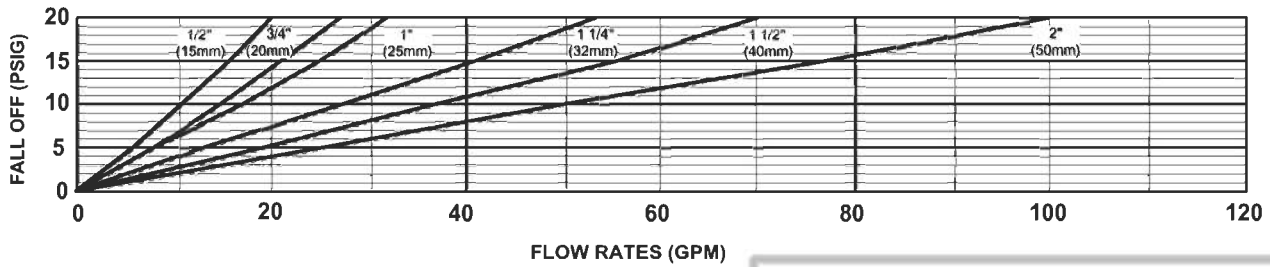
**C**  
Automatic Control Valves

#### DIMENSIONS & WEIGHTS

SIZE	CONNECTIONS	DIMENSIONS				WEIGHT
		A	B	C	D	
1/2	SINGLE UNION	5 1/4	6 1/4	1 1/4	2 3/4	3
1/2	LESS UNION	4 1/2	6 1/4	1 1/4	2 3/4	3
3/4	SINGLE UNION	5 5/16	5 1/2	1 1/4	2 3/4	3
3/4	LESS UNION	4 7/8	5 1/2	1 1/4	2 3/4	3
1	SINGLE UNION	6 1/8	7 1/4	2	3 3/8	5
1	LESS UNION	5 3/4	7 1/4	2	3 3/8	5
1 1/4	SINGLE UNION	7 1/8	8	2	3 7/8	7
1 1/2	SINGLE UNION	9 1/8	10	2 1/2	5	13
2	SINGLE UNION	10 1/4	12	3	6 1/2	21



# FLOW CURVES



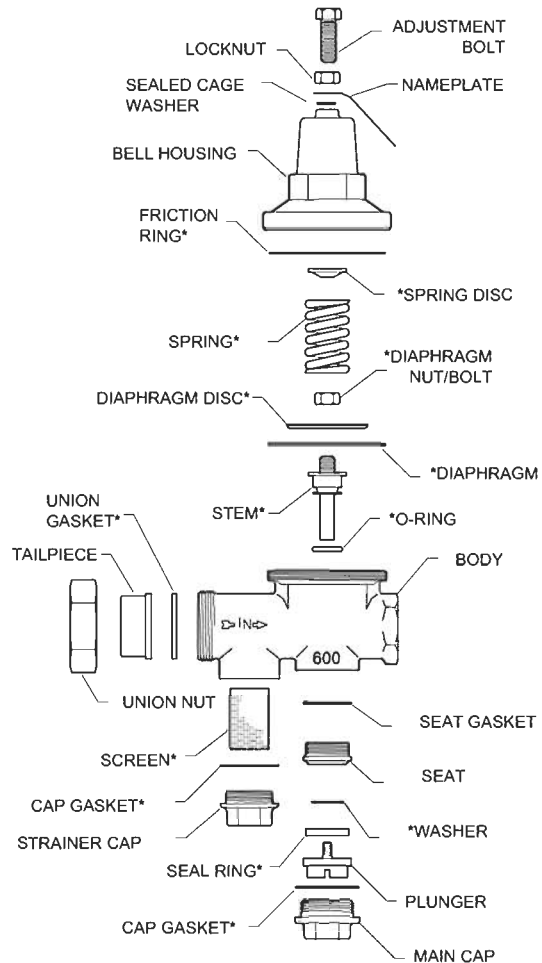
## INSTALLATION

Local codes and the latest edition of the Uniform Plumbing Code govern installation requirements. Install with sufficient clearance for testing and maintenance. If installed in a pit, vault, or indoors, specify the "SC" sealed cage option. Anytime a reducing valve is adjusted, a pressure gauge must be used downstream to verify correct pressure setting.

## PARTS

Repair Kits are available for this model. Call 1-800-66-BKFLO to order.

\* INDICATES PARTS SUPPLIED IN REPAIR KITS (spring disc not included in sizes 1 1/2"-2")



## Series 600

American Backflow Specialties

www.americanbackflow.com

(800) 66-BKFLO

(619) 527-2525

Fax: (619) 527-2527