

WILKINS

a ZURN company

70 Series Pressure Regulating Valve 1/2 to 2"

FEATURES

- Pressure rated 300 psi
- Spring range 25 to 75 psi; factory set at 50 psi
- Maximum temperature 180°F
- Union end connection standard, available 1/2" through 2" in FNPT
- Built-in by-pass prevents buildup of excessive system psi caused by thermal expansion
- Integral stainless steel strainer
- Nylon reinforced Buna-N diaphragm
- Balanced piston design
- May be installed in any position
- All internal parts corrosion-resistant and included in a replaceable cartridge
- Serviceable in-line
- Available tapped & plugged for gauge (option)
- Available tapped with gauge (optional)
- Available with BSP threads (optional)
- ASSE® Listed 1003, IAPMO® Listed, CSA® Certified, City of Los Angeles

4
Valves

A
Ball Valves

B
Regulators

C
Automatic Control Valves

MODELS

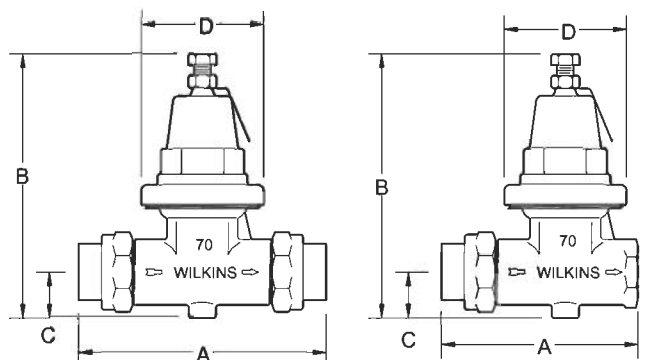
- Model 70C Union end connection standard, available 1/2" through 1" female copper sweat.
- Model 70LU Less union, female by female NPT.
- Model 70DU Double union FNPT.*
- Model 70DUC Double union female copper sweat.*
- Model 70DUCM Double union male copper sweat.*
- Model 70DULU Double union, less tailpieces and union nuts.
- Model 70DM Double male meter thread, no union included (1" NHT, fits 5/8" x 3/4" & 3/4" water meter).
- Model 70SC Sealed cage bell and stainless steel adjusting screw. (Recommended for indoor below-ground applications).
- Model 70SS Same as 70SC except with stainless steel spring. For meter box and below-ground applications.
- Model 70PEX Union end supplied with male barb connection tailpiece for cross-linked polyethylene (PEX) tubing.
- Model 70DUPEX Supplied with two male barb connection tailpieces for cross-linked PEX tubing.

MATERIALS

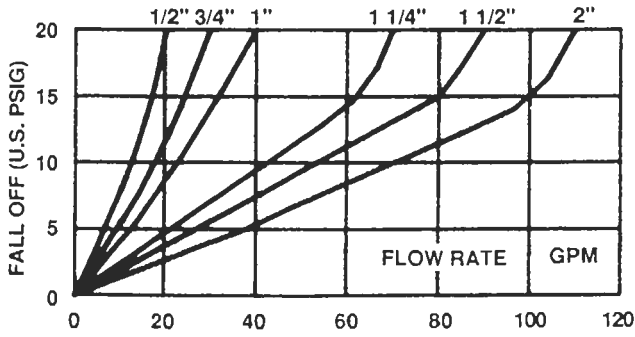
Body and bell	Cast bronze, ASTM B 584
Seat	Stainless Steel, 300 series
Stem & sleeve	Brass ASTM B 16
Elastomers	Buna nitrile, FDA (CFR) 21, 177.2600 EPDM, FDA (CFR) 21, 177.2600
Strainer screen	Stainless Steel, 300 series

DIMENSIONS & WEIGHTS

SIZE	CONNECTIONS	DIMENSIONS				lbs.
		A	B	C	D	
1/2	SINGLE UNION	4 1/2	6	1	2 3/4	3
1/2	LESS UNION	3 3/8	6	1	2 3/4	3
1/2	DOUBLE UNION	4 9/16	6	1	2 3/4	3
3/4	SINGLE UNION	4 1/8	6 1/2	1 1/8	2 3/4	4
3/4	LESS UNION	3 1/4	6 1/2	1 1/8	2 3/4	3
3/4	DOUBLE UNION	5 15/16	6 1/2	1 1/8	2 3/4	3
1	SINGLE UNION	4 15/16	6 3/4	1 1/8	3 5/16	4
1	LESS UNION	3 5/8	6 3/4	1 1/8	3 5/16	5
1	DOUBLE UNION	5 15/16	6 3/4	1 1/8	3 5/16	4

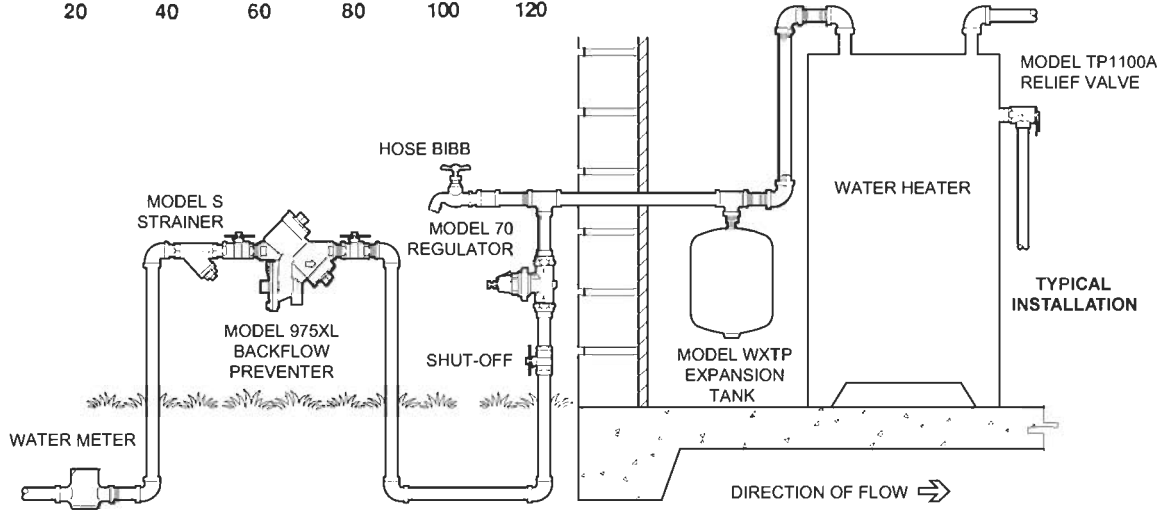


FLOW CURVES



INSTALLATION

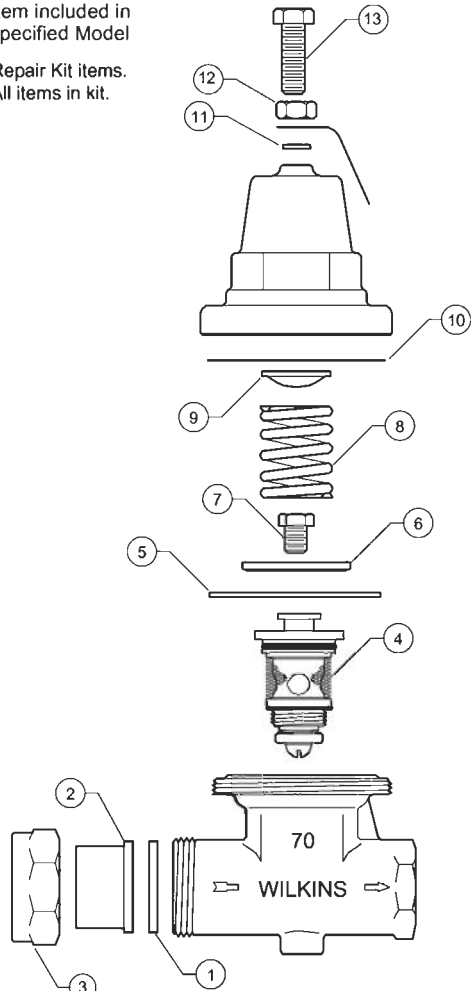
Local codes and the latest edition of the Uniform Plumbing Code govern installation requirements. Install with sufficient clearance for testing and maintenance. If installed in a pit, vault, or indoors, specify the "SC" sealed cage option. Anytime a reducing valve is adjusted, a pressure gauge must be used downstream to verify correct pressure setting.



PARTS

		70	70DU	70C	70CM	70LP	70SC	70SS	70HT
1	UNION GASKET	●		●	●	●	●	●	●
	UNION GASKET								●
2	TAILPIECE NPT (FEMALE)	●	●				●	●	●
	TAILPIECE NPT (FEMALE)					●			●
	TAILPIECE COPPER (FEMALE)		●	●					
	TAILPIECE COPPER (MALE)				●				
3	UNION NUT	●	●	●	●	●	●	●	●
4	CARTRIDGE	●		●	●	●	●	●	●
5	DIAPHRAGM	●	●	●	●	●	●	●	●
	DIAPHRAGM								●
6	DIAPHRAGM DISC	●	●	●	●	●	●	●	●
	DIAPHRAGM DISC								●
7	BOLT	●	●	●	●	●	●	●	●
	BOLT								●
8	SPRING	●	●	●	●	●	●	●	●
	SPRING					●			●
	SPRING							●	●
9	SPRING DISC	●	●	●	●	●	●	●	●
	SPRING DISC								●
	SPRING DISC					●			●
10	FRICITION RING	●	●	●	●	●	●	●	●
	FRICITION RING					●			●
	FRICITION RING							●	●
11	WASHER		●				●		
12	LOCKNUT	●	●	●	●	●	●	●	●
	LOCKNUT								●
13	ADJUSTMENT BOLT	●	●	●	●	●	●	●	●
	ADJUSTMENT BOLT					●			
	ADJUSTMENT BOLT						●	●	

- Item included in specified Model
- ★ Repair Kit items. All items in kit.



American Backflow Specialties

www.americanbackflow.com

(800) 66-BKFLO

(619) 527-2525

Fax: (619) 527-2527