



Series FBV 2 Pc, Full Port Bronze Ball Valves 1 1/2" to 2"

No. FBV
Threaded Ends
Sizes: 1/2" - 2"



No. FBVS
SOLDER ENDS*
Sizes: 1/2" - 2"



*This valve is designed to be soft soldered without disassembly, using a low temperature solder. Apply heat with the flame directed AWAY from the center of the valve body. After soldering, the packing nut may have to be tightened.

FBV - Dimensions

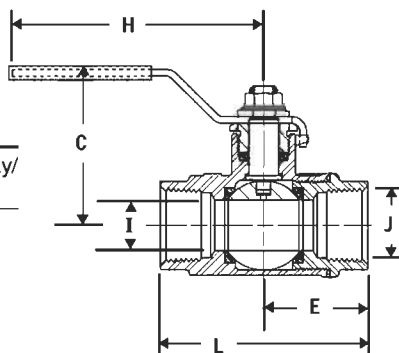
No.	Size	C	E	H	I	L	Wt
546745	1/2	1 3/4	1 3/32	3 3/8	1/2	2 3/16	.6
546750	3/4	2 1/16	1 9/32	3 5/8	3/4	2 9/16	.8
546755	1	2 1/2	1 7/32	4 3/8	1	3 1/16	1.5
546760	1 1/4	2 5/8	1 9/16	4 3/8	1 1/4	3 1/2	2.5
546765	1 1/2	3 1/8	1 15/16	6 1/8	1 1/2	3 7/8	3.5
546770	2	3 1/2	2 7/32	6 1/8	2	4 7/16	5.5

FBVS - Dimensions

No.	Size	C	E	H	I (Orifice)	J (Dia.)	L	Wt
546775	1/2	1 5/8	1 1/16	3 3/4	1/2	5/8	2 3/32	.6
546780	3/4	1 3/4	1 3/8	3 3/4	3/4	7/8	2 27/32	.8
546785	1	2 1/16	1 3/4	3 3/4	1	1 1/8	3 7/16	1.5
546790	1 1/4	2 13/16	2	5 1/2	1 1/4	1 3/8	3 7/8	2.5
546795	1 1/2	3	2 5/16	5 1/2	1 1/2	1 5/8	4 1/16	3.5
546000	2	4	2 3/4	8	2	2 1/8	5 1/2	5.5

VALVE TORQUE RATING

Size In.	Max. Breakaway/Torque In.-Lbs.
1/2	60
3/4	150
1	200
1 1/4	250
1 1/2	320
2	500



FEATURES

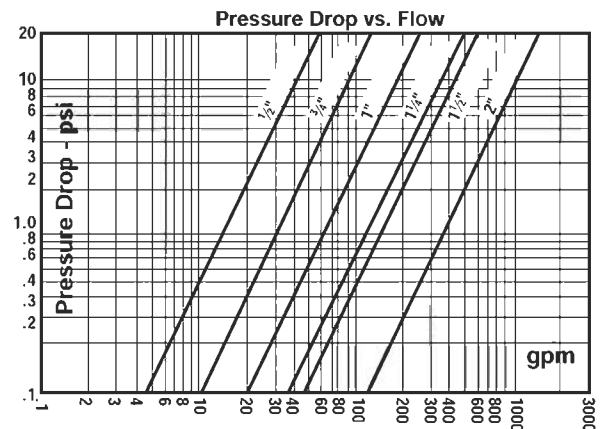
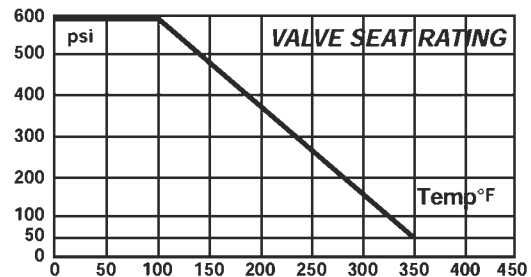
- Suitable for full range of liquids and gases.
- Minimal pressure drop due to full size ports.
- Bottom loaded, pressure retaining stem.
- Pressure rated at 600 psi WOG (non-shock) @ 100°F 1/2"-2", and 125 psi saturated steam.
- Suitable for temperatures from 0°F to +350°F at 50 psi.
- Virgin PTFE stem packing seal, thrust washer and seat.
- Vinyl insulator on heavy duty zinc-plated, carbon steel handles.
- Fast quarter-turn open or close operation.
- Excellent for throttling and balancing applications of non-abrasive fluids where minimum flow is 20% to 100% of valve capacity.
- Low operating torque.
- Adjustable stem packing gland.
- Each valve individually tested, in the opened and closed position.

4
Valves

A
Ball & Gate
Valves

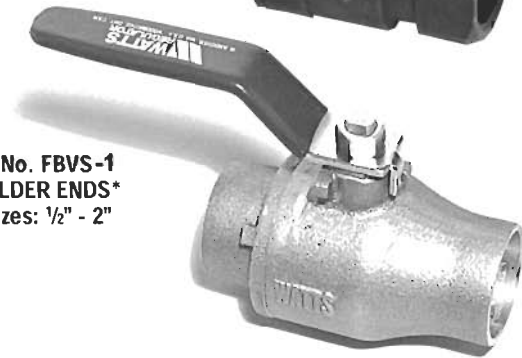
B
Regulators

C
Automatic
Control
Valves



Series FBV-1 2 Pc, Full Port Bronze Ball Valves 1/4" to 2"

No. FBV-1
Threaded Ends
Sizes: 1/2" - 2"

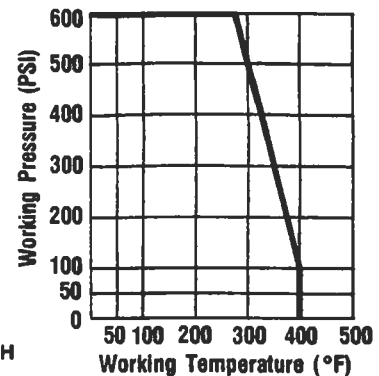
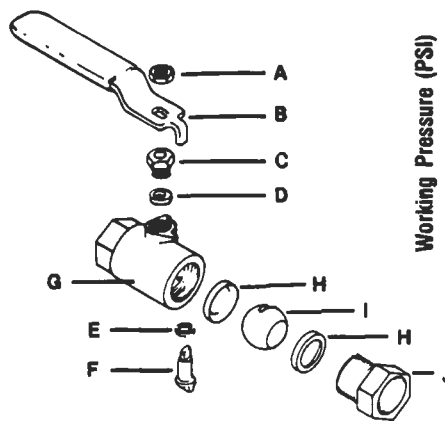
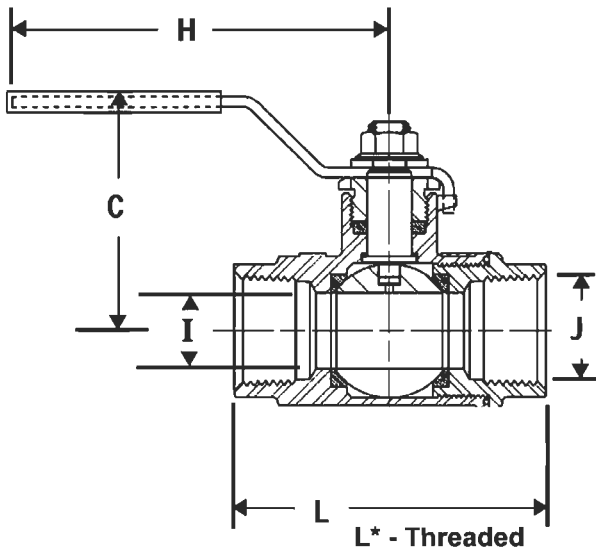


No. FBVS-1
SOLDER ENDS*
Sizes: 1/2" - 2"

*This valve is designed to be soft soldered without disassembly, using a low temperature solder. Apply heat with the flame directed AWAY from the center of the valve body. After soldering, the packing nut may have to be tightened.

FEATURES

- Suitable for full range of liquids and gases.
- Minimal pressure drop due to full size ports.
- Bottom loaded, pressure retaining stem.
- Pressure rated at 600 psi WOG (non- shock) and 150 psi saturated steam.
- Virgin PTFE stem packing seal, thrust washer and seat.
- Vinyl insulator on heavy duty zinc-plated, carbon steel handles.
- Fast quarter-turn open or close operation.
- Excellent for throttling and balancing applications of non-abrasive fluids where minimum flow is 20% to 100% of valve capacity.
- Low operating torque.
- Adjustable stem packing gland.
- Each valve individually tested, in the opened and closed position.



Dimensions

No.	No.	Size	C	H	I	L	L*	Wt
546741	-	3/8	1.50	3.31	.39	1.85	-	.37
546743	-	1/4	1.50	3.31	.39	1.85	-	.37
546747	546777	1/2	1.54	3.31	.50	2.01	2.13	.44
546753	546783	3/4	2.01	4.65	.79	2.44	2.91	.81
546757	546787	1	2.17	4.65	1.00	2.99	3.54	1.29
546763	546793	1 1/4	2.64	5.28	1.26	3.35	3.98	2.08
546767	546797	1 1/2	2.80	5.28	1.50	3.70	4.53	2.85
546773	547003	2	3.35	7.87	2.00	4.33	6.00	6.07

- A. Handle Nut - Brass
- B. Handle - Plated carbon steel with vinyl insulator
- C. Packing Nut - Brass
- D. Stem Packing - TFE
- E. Thrust Washer - TFE
- F. Stem - Brass
- G. Body - Forged Brass
- H. Seats - TFE
- I. Ball - Chrome plated Brass
- J. Adapter - Forged Brass