



Series 800QT Anti-Siphon Pressure Vacuum Breakers (1-1/4" to 2")

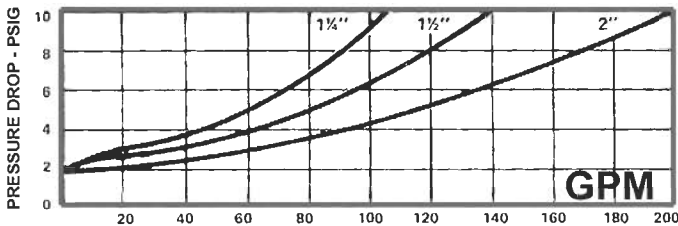
FEATURES

- Easy maintenance of internal parts
- Test cocks positioned for easy testing and winterization
- No special tools required for servicing
- With resilient seated quarter turn ball valve shut offs

MATERIALS

- Bonnet - Plastic
- Vent Disc - Silicone Rubber
- Disc Holder Float - Polythylene
- Check Valve Disc - Silicone Rubber
- Check Valve Seat - Bronze
- Body - Bronze

FLOW CURVES

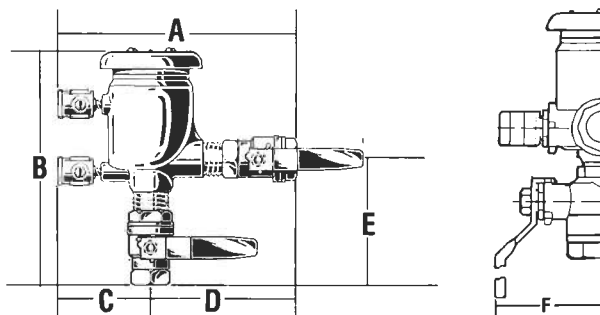


STANDARDS

ASSE No. 1020, CSA B64.12, IAPMO

PRESSURE - TEMPERATURE

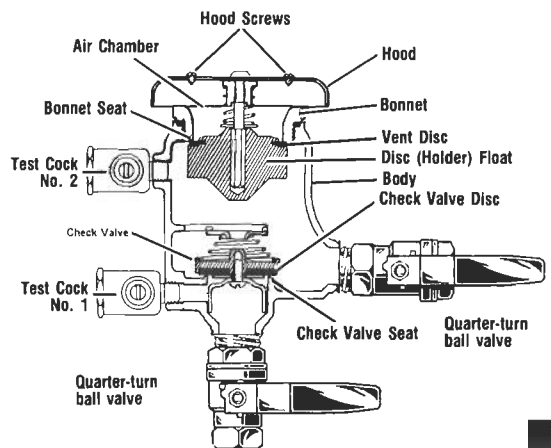
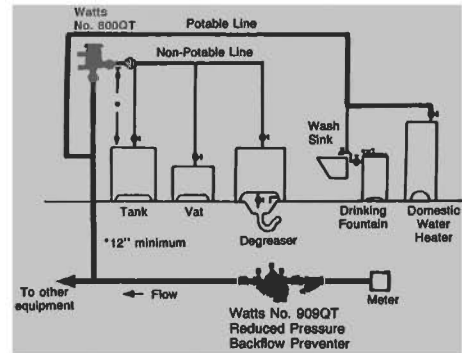
- Working Temperature: 33°F to 140°
- Maximum Pressure: 150 psi
- Minimum Pressure: 15 psi



DESCRIPTION

Series 800QT is designed to prevent back-siphonage of contaminated water into a potable water supply. The valve is ideally suitable for irrigation systems, industrial process water systems and other continuous pressure piping system applications where the water enters the equipment at or below its flood rim.

INSTALLATION



DIMENSIONS

Size (in.)	Dimensions						Weight (lbs.)
	A	B	C	D	E	F	
1/2	8 1/4	8 1/4	3 1/4	5	4 1/2	2 1/8	5 1/2
3/4	7 3/4	7 3/4	3 1/4	4 1/2	4	2 1/8	5 1/4
1	8 1/8	8 1/4	3 1/8	5	4 1/2	2 1/2	6
1 1/4	11 1/4	12	4	7	6	2 3/4	16
1 1/2	11 1/2	12 1/4	4 1/2	7	6	3 1/4	18 1/2
2	12	12 3/4	4 1/4	7 3/4	7	3 1/2	22 1/2

Series 800M4QT

Anti-Siphon Pressure Vacuum Breakers

Sizes: 1/2" - 2"



800M4QT 1/2" - 3/4"

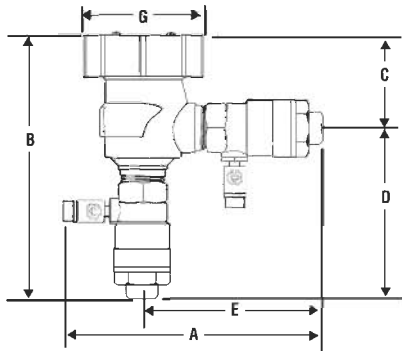
800M4QT
1/2" - 1" has tee handles
1 1/4" - 2"

FEATURES

- Replaceable plastic seat
- Easy maintenance of internal parts
- Acetal bonnet acts as "freeze plug" to prevent body damage
- O-ring bonnet seal for less possibility of fouling
- Silicone seat disc for durability
- Test cocks positioned for easy testing and winterization
- Compact space saving design
- Standardly equipped with tee handle quarter turn ball valve shutoffs 1/2" - 1" (15-25mm). The 1 1/4" - 2" (32-50mm) feature lever handles
- No special tools required for servicing
- Bronze body for durability

SPECIFICATIONS

An anti-siphon pressure vacuum breaker shall be installed where indicated on the plans to prevent the back-siphonage of contaminated water. This assembly is not to be used where there is a possibility that a back pressure condition may develop. The assembly will incorporate an acetal bonnet with silicone rubber o-ring seal and silicone rubber seat disc. The valve shall have replaceable seats. Check assembly shall be guided over its full stroke by 'V' notched guides.

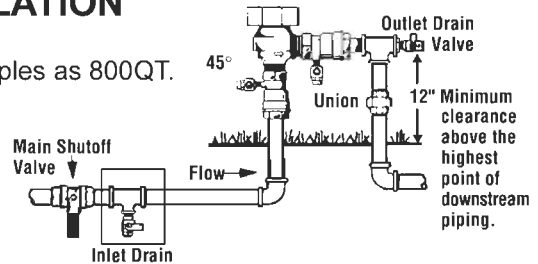


PRESSURE - TEMPERATURE

Same as 800QT.

INSTALLATION

Same principles as 800QT.



MATERIALS

- Springs** - Stainless Steel
- Bonnet** - Celcon
- Vent Disc** - Silicone Rubber
- Disc Holder Float** - Polypropylene
- Check Valve Disc** - Silicone Rubber
- Check Valve Seat** - Noryl Plastic
- Body** - Bronze

STANDARDS

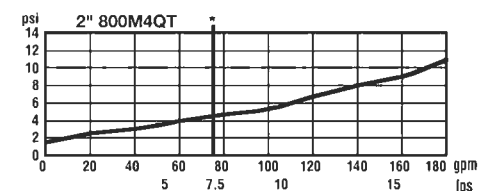
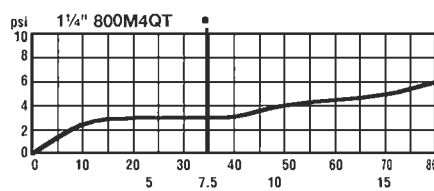
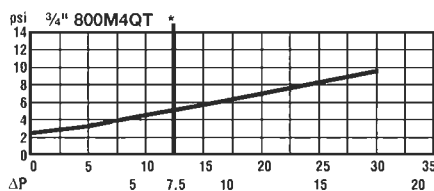
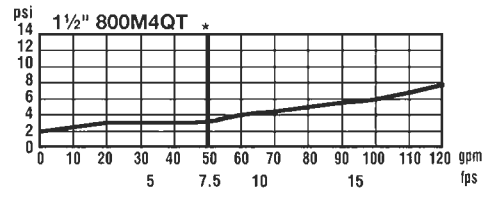
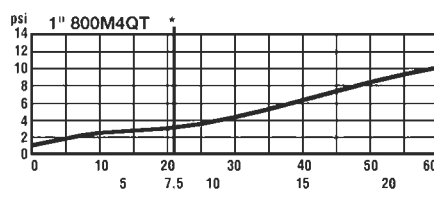
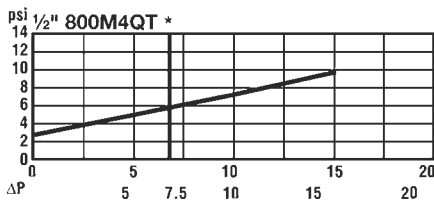
ANSI, ASSE No. 1020, CSA B64.12, IAPMO, USC

DIMENSIONS

DN	A	B	C	D	E	G	Weight
1/2	6 1/8	6 1/4	2 9/16	3 11/16	3 7/8	2 1/4	4
3/4	6 1/2	6 1/2	2 9/16	3 13/16	4 1/8	2 1/4	4
1	7 1/2	7 1/2	2 3/4	4 3/4	4 7/8	3 7/16	6
1 1/4	8 3/8	9	3 1/4	5 3/4	6 1/8	5	11
1 1/2	9 1/4	9 1/2	3 3/4	6 1/4	6 3/8	5	14
2	10 3/8	9 3/8	3 3/4	6 3/8	7	5	19

800M4QT FLOW CURVES

*Typical max flow rate



800 SERIES PVB REPAIR KITS

800 (QT)

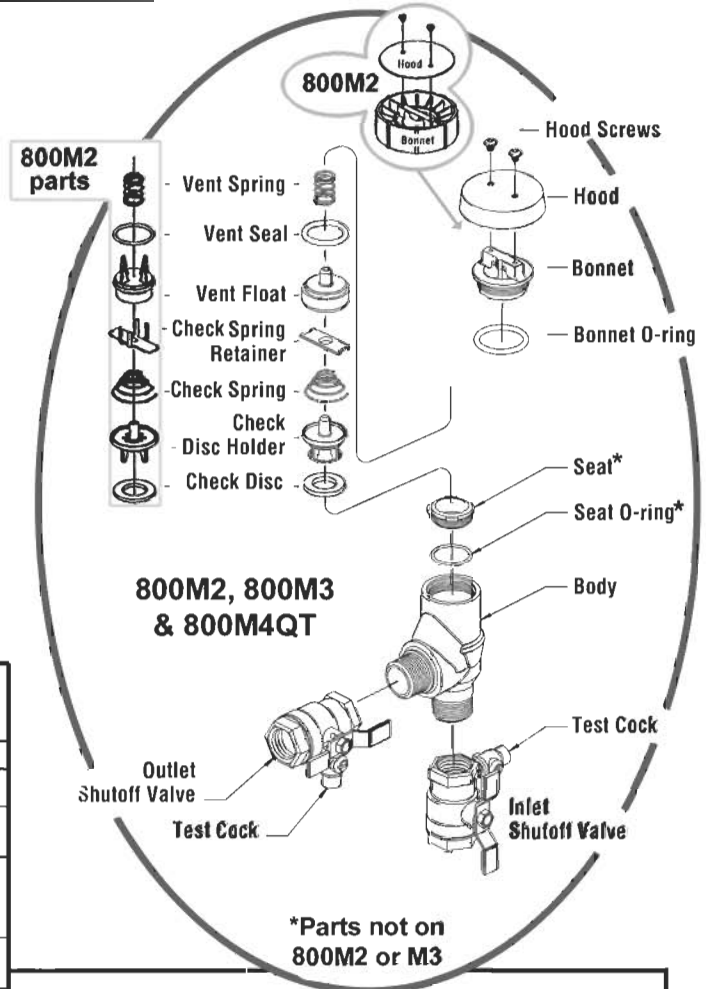
EDP No.	Kit No.	Sizes
Check Kits		
886027	RK 800 CK	1/2" - 1"
886028	RK 800 CK	1 1/4" - 2"
Kit consist of: Check disc assembly (disc holder, disc, washer, guide and screw), bonnet o-ring and check spring.		
Vent Float Kits		
886025	RK 800 V	1/2" - 1"
886026	RK 800 V	1 1/4" - 2"
Kit consist of: Float vent disc assembly and bonnet o-ring. (vent float, seal & spring)		
Bonnet Kits		
886023	RK 800 B	1/2" - 1"
886024	RK 800 B	1 1/4" - 2"
Kit consist of: Bonnet, vent float stem, vent retainer, spring and bonnet o-ring.		
Rubber Parts Kits		
886021	RK 800 RT	1/2" - 1"
886022	RK 800 RT	1 1/4" - 2"
Kit consist of: Vent seal, check disc and bonnet o-ring.		

800M2

EDP No.	Kit No.	Size
Check Kits		
886037	RK 800M2 CK	1/2" - 1"
886038	RK 800M2 CK	1 1/4" - 2"
Kit consist of: Check disc assembly (disc & holder), Bonnet o-ring and spring		
Vent Float Kit		
886035	RK 800M2 V	1/2" - 1"
886036	RK 800M2 V	1 1/4" - 2"
Kit consist of: Float vent disc assembly (vent float, seal & spring) and bonnet o-ring.		
Bonnet Assembly Kits		
886033	RK 800M2 B	1/2" - 1"
886034	RK 800M2 B	1 1/4" - 2"
Kit consist of: Bonnet, bonnet o-ring and vent spring.		
Rubber Parts Kits		
886031	RK 800M2 RT	1/2" - 1"
886032	RK 800M2 RT	1 1/4" - 2"
Kit consist of: Vent seal, check disc and bonnet o-ring.		

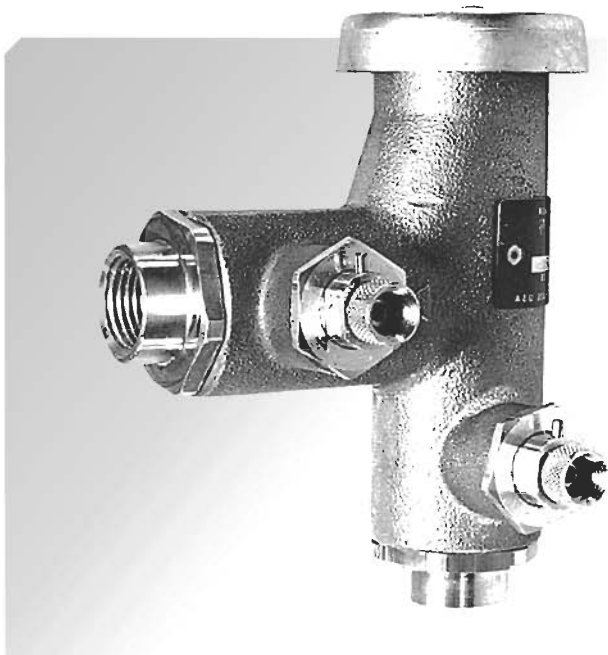
800M3

EDP	Kit No.	Size
Check Kits		
886042	RK 800M3 CK	1/2", 3/4"
Kit consist of: Check disc assembly (disc & disc holder), bonnet o-ring and spring		
Vent Float Kits		
886041	RK 800M3 V	1/2", 3/4"
Kit consist of: Float vent disc assembly (vent float, seal & spring) and bonnet o-ring		
Bonnet Assembly Kits		
886040	RK 800M3 B	1/2", 3/4"
Kit consist of: Bonnet, Bonnet o-ring and vent spring.		
Rubber Part Kits		
886039	RK 800M3 RT	1/2", 3/4"
Kits consist of: Vent seal, Check disc and bonnet o-ring.		



800M4

EDP No.	Kit No.	Size
Check Kits		
887703	RK 800M4 CK	1/2", 3/4"
887704	RK 800M4 CK	1"
887705	RK 800M4 CK	1 1/4" - 2"
Kit consist of: Check disc assembly (disc & disc holder), bonnet o-ring and check spring.		
Vent Float Kits		
887709	RK 800M4 V	1/2", 3/4"
887710	RK800M4 V	1"
887711	RK 800MR V	1 1/4" - 2"
Kit consist of: Float vent disc assembly (vent float, seal & spring) and Bonnet O-ring.		
Bonnet Assembly Kits		
887700	RK 800M4 B	1/2", 3/4"
887701	RK 800M4 B	1"
887702	RK 800M4 B	1 1/4" - 2"
Kit consist of: Bonnet, Bonnet O-ring and Vent spring.		
Rubber Parts Kits		
887706	RK 800M4 RT	1/2", 3/4"
887707	RK 800M4 RT	1"
887708	RK 800M4 RT	1 1/4" - 2"
Kit consist of: Vent seal, check disc and bonnet o-ring.		
Seat Kits		
887712	RK 800M4 S	1/2", 3/4"
887713	RK 800M4 S	1"
887714	RK 800M4 S	1 1/4" - 2"
Kit consist of: Seat, seat o-ring and bonnet o-ring.		



Series 800M, 800CM

Anti-Siphon Pressure Vacuum Breakers

(1-1/4" to 2")

MATERIALS

Bonnet	- Bronze
Vent Disc	- Silicone Rubber
Disc Holder Float	- Polythylene
Check Valve Disc	- Silicone Rubber
Check Valve Seat	- Bronze
Body	- Bronze

FEATURES

- Easy maintenance of internal parts
- Built in drip tight ball valves for durability
- Silicone discs for durability
- Space saving design
- Integral test cocks for easy testing to insure proper operation

PRESSURE - TEMPERATURE

Same as other 800 series PVBs.

INSTALLATION

Same as other 800 series PVBs. Use diagram from 8004MQT product page.

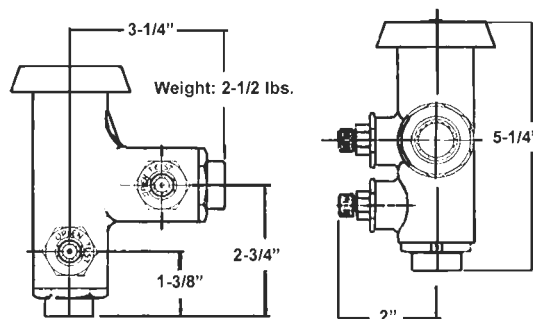
DESCRIPTION

Series 800M/CM is designed to prevent back-siphonage of contaminated water into a potable water supply. The valve is ideally suitable for irrigation systems, industrial process water systems and other continuous pressure piping system applications where the water enters the equipment at or below its flood rim. The disc float and check valve are suitable for temperatures up to 140 °F. The resilient sealing float o-ring and seal check disc are silicone rubber which is resistant to heat, shock and chemical attack.

STANDARDS

ASSE, BS&A, IAPMO Listed 1913, CSA B64.1.2, USC FCCC & HR.

DIMENSIONS

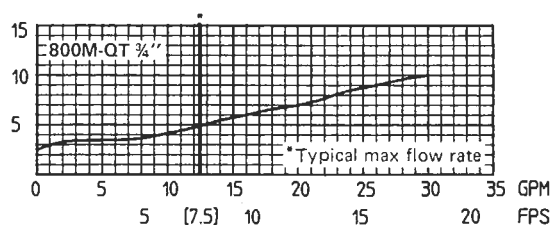
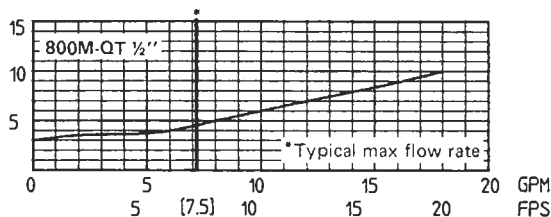


SPECIFICATIONS

Pressure Vacuum Breakers

An anti-siphon pressure vacuum breaker shall be installed where indicated on the plans to prevent the back-siphonage of contaminated water. This assembly is not to be used where there is a possibility that a back pressure condition may develop. Includes a chrome plated bronze bodied PVB with 2 integral ball valve shutoffs and test cocks.

FLOW CURVES





Series 008QT

Health Hazard Backflow Preventer
Anti-Siphon, Spill-Resistant
3/8" to 1"

FOR INDOOR USE!
Patent # 5125429



FEATURES

- For use where space is limited
- Patented design
- Spill-resistant design for indoor use
- Affordable design
- Modular cartridge for ease of service
- Vent uses an O-ring for reliable operation
- Bronze body for durability
- Compact space saving design

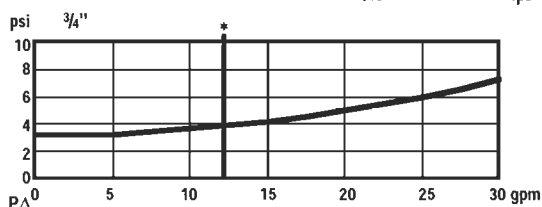
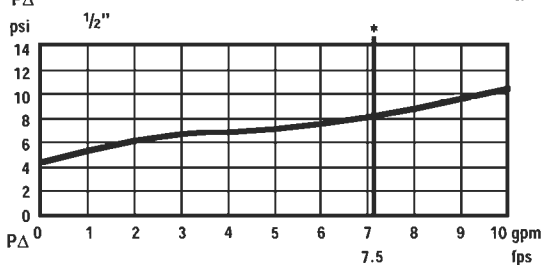
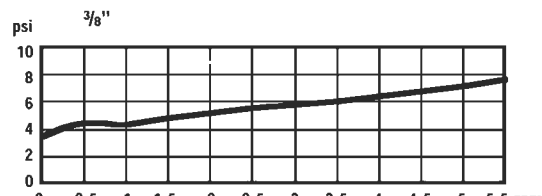
DESCRIPTION

Series 008QT is designed for indoor point of use applications to prevent back-siphonage of contaminated water back into the potable water supply. Separation of the water supply from the air inlet is accomplished by means of a diaphragm seal. This feature protects against any spillage during start-up or operation.

INSTALLATION

The 008QT is designed to be installed at the point of use. When factory installed deck/machine mounted on machines or equipment, the critical level of the 008QT shall be not less than 1" (25mm) above the flood rim. If field applied for general plumbing applications, the critical level of the 008QT shall be a minimum of 6" above the flood rim.

FLOW CURVES



SPECIFICATIONS

A spill-resistant vacuum breaker (SVB) shall be installed, in accordance with the manufacturer's instructions, as noted on the plans. The valve shall consist of a one piece modular check and float assembly made of engineered thermoplastic and housed in a bronze body. Springs shall be stainless steel. The valve shall be constructed with a molded diaphragm separating the air inlet from the potable water supply to prevent spillage. The valve shall be a Watts Series 008QT.

MATERIALS

- Springs - Stainless Steel
- Bonnet - PPO
- Vent Disc - Silicone Rubber
- Disc Holder - PPO
- Check Disc - Silicone Rubber
- Body - Bronze

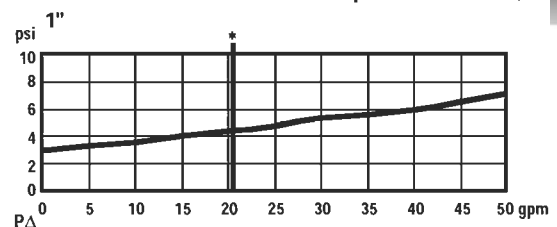
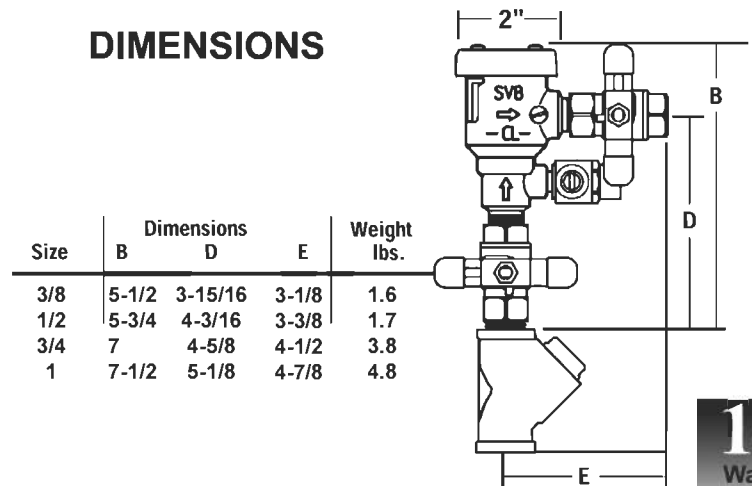
PRESSURE - TEMPERATURE

Working Temp: 33° - 180°F
Max Pressure: 150 psi
Min Pressure: 8 psi

END CONNECTIONS

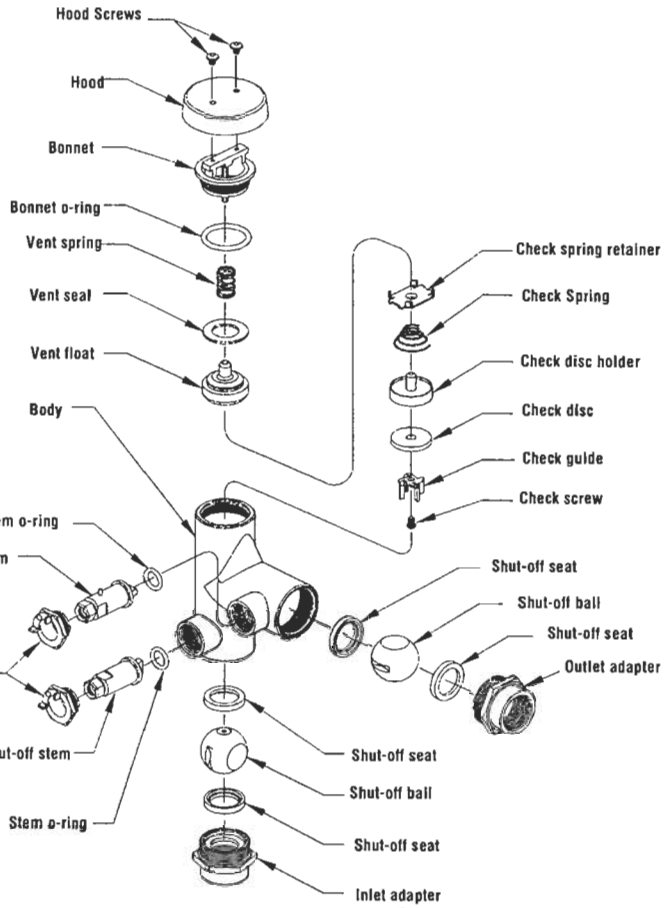
Female NPT - Ball Valve shut-offs.

DIMENSIONS



800M, 800CM

EDP No.	Kit No.	Sizes
886043	RK 800M C	1/2", 3/4"
Kit consist of: Brass cover (hood) and screws		
886044	RK 800CM C	1/2", 3/4"
Kit consist of: Chrome cover (hood) and screws		
886030	RK 800M/CM T	1/2", 3/4"
Kit consist of: Check disc assembly, vent float & vent seal, check spring, vent spring, bonnet assembly and hood screws		



REPAIR KITS

008QT

EDP No.	Kit No.	Size
Check Kit		
887972	RK 008 T	3/8", 1/2", 3/4", 1"
Kits consist of: Check assembly, O-ring, Spring, Vent O-ring, Bleed screw O-ring and Retainer		
Bonnet Kit		
888012	RK 008 B	3/8", 1/2", 3/4", 1"
Kit consist of: Bonnet, Bonnet O-ring and Vent spring.		

