



1/2" 288A



Series 288A Hot or Cold Water Anti-Siphon Vacuum Breakers

Sizes: 1/4" - 3"

FEATURES

- Brass Body
- Full size orifice for maximum flow
- Lightweight disc assembly prevents spilling under all rates of flow

DESCRIPTION

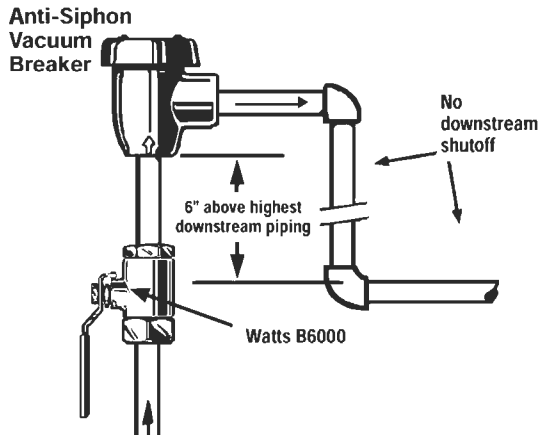
Series 288A represents a complete line of vacuum breakers designed to prevent backsiphonage of contaminated water into a potable water supply.

They feature a lightweight, durable "disc float" suitable for temperatures up to 180°F (82°C) which closes the atmospheric vent to prevent spilling under all rates of flow. Therefore, they are ideally recommended for low flow installations such as laboratory equipment which use such a small amount of water. They also contain a durable silicone disc which has high heat and water hammer shock resistance and assures tight seating with the lightest of seating contact.

Full Size Orifice - Series 288A has a full-size orifice to assure pipe size capacity. Water passages are streamlined to provide high water flow with minimal pressure loss.

INSTALLATION

Atmospheric VB must be installed 6" above the highest point on the downstream piping. There can be no shutoff valves downstream of an AVB.

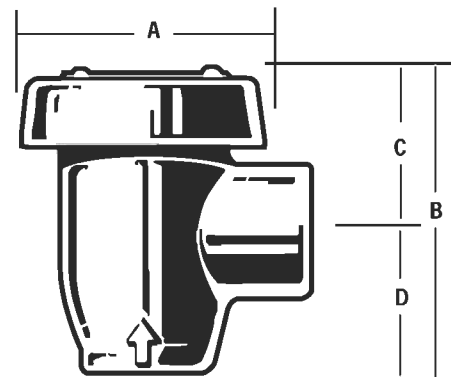


SPECIFICATIONS

For Anti-Siphon Vacuum Breakers

An atmospheric type anti-siphon vacuum breaker shall be installed where indicated on the plans to prevent the backsiphonage of contaminated water. Device shall include lightweight disc float with silicone disc for tight seating. This device is not to be used under continuous pressure or where there is a possibility that a backpressure condition may develop.

DIMENSIONS & WEIGHTS



Model	Size	Dimensions				Weight	
Plain	Polished	in.	A	B	C	D	oz.
288A	288A-C	1/4	1 3/4	2 1/4	1 1/4	1	6
288A	288A-C	3/8	1 3/4	2 1/4	1 1/4	1	6
288A	288A-C	1/2	2	2 3/4	1 1/2	1 1/4	8
288A	288A-C	3/4	2 1/4	3	1 1/2	1 1/2	18
288A	288A-C	1	2 7/8	3 5/8	1 7/8	1 3/4	28
288A		1 1/4	2 7/8	3 3/4	1 7/8	1 7/8	34
288A		1 1/2	3 5/8	4 1/2	2 1/4	2 1/4	54
288A		2	4	5 1/8	2 5/8	2 1/2	84
288A		2 1/2	6 1/2	7 1/2	4 1/2	3	256
288A		3	6 1/2	8	4 5/8	3 3/8	274

MATERIALS

Sizes 1/4" to 1" are available in either plain brass or polished chrome finish. Durable silicone disc, high heat resistance. Sizes 1 1/4" to 3" standardly furnished with plain brass finish.

TEMPERATURE - PRESSURE

Maximum temperature 180°F at 125 psi (8.6 bars) working pressure.

STANDARDS

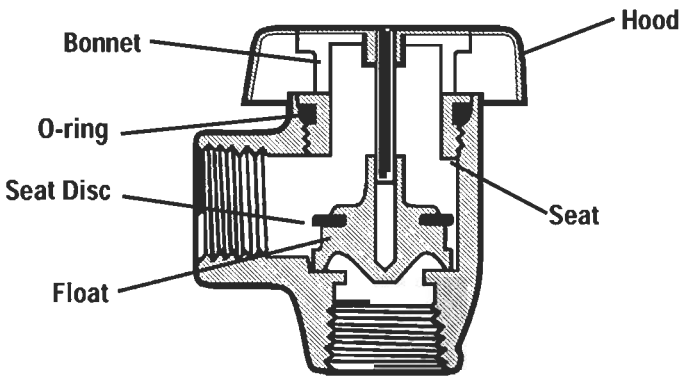
ASSE No. 1001, IAPMO
CSA B.64.1.1

APPROVALS



Certified thru 1" (25mm) CSA

REPAIR KITS

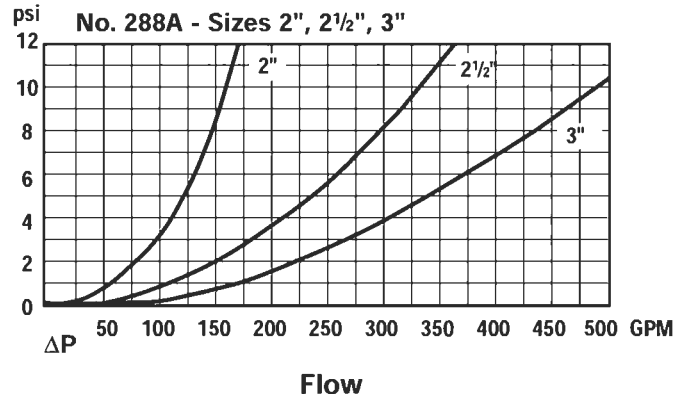
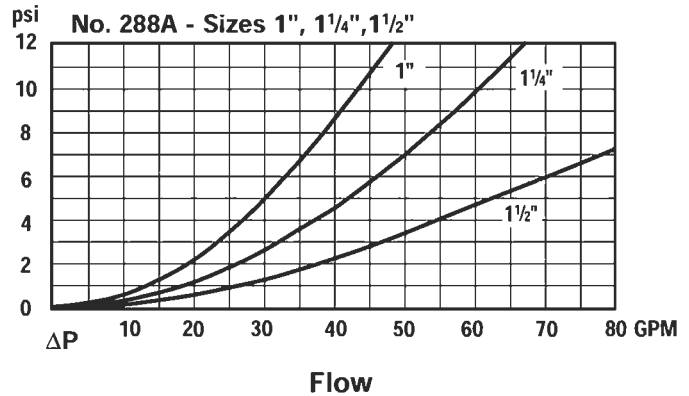
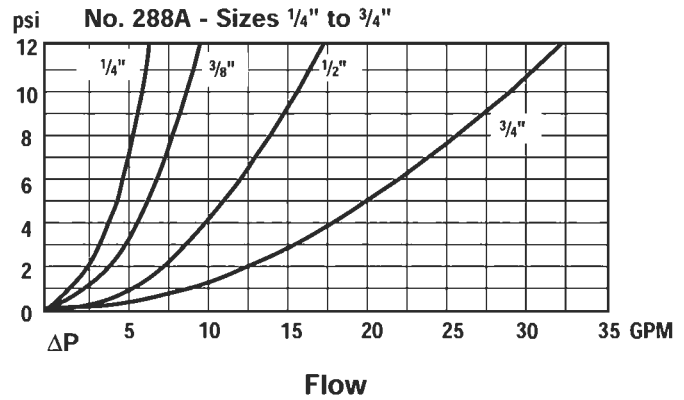


Description	Size in.	Ordering Code No.
RK 188-288-388 T	1/4 - 3/8	0887170
RK 188-288-388 T	1/2	0887171
RK 188-288-388 T	3/4 - 1	0887172
RK 188-288-388 T	1 1/4	0887173
RK 188-288-388 T	1 1/2	0887174
RK 188-288-388 T	2	0887175
RK 288A T	2 1/2 - 3	0887176

Kit includes: Disc assembly (includes Disc and Disc Float) and Bonnet o-ring.

FLOW CURVES

Model 288A



Since atmospheric type vacuum breakers are subject to normal maintenance and replacement, they should be located where emergency water spillage will create no problem and where they can be accessible for inspection or servicing.

IMPORTANT NOTE:

This device shall not be subjected to continuous pressure for more than twelve (12) hours per ASSE Std. 1001. For continuous pressure application, specify Watts Series 800 pressure type vacuum breakers. Vacuum breakers are not designed, tested or approved to protect against backpressure backflow. For protection against backpressure backflow, install Watts Series 909 or Series 009 reduced pressure principle backflow preventers.