

Series 770 DCDA

Double Check Detector Assembly

Sizes: 4", 6", 8"

FEATURES

- Fused epoxy coated ductile iron body
- Design simplicity for easy maintenance
- Replaceable seats & discs in mainline and bypass assemblies
- Compact for economy, combined with performance
- Furnished with 5/8" x 3/4" bronze meter
- Stainless steel internal parts
- Maximum flow at low pressure drop

DESCRIPTION

Series 770 DCDA is designed for superior performance in protecting the potable water supply from backflow from fire sprinkler systems and identifying system leaks or unauthorized water usage. Water purveyors are mandated by federal law to maintain the drinking water supply within EPA standards, non-potable piping systems such as fire sprinkler lines present a potential hazard due to backflow without proper backflow prevention.

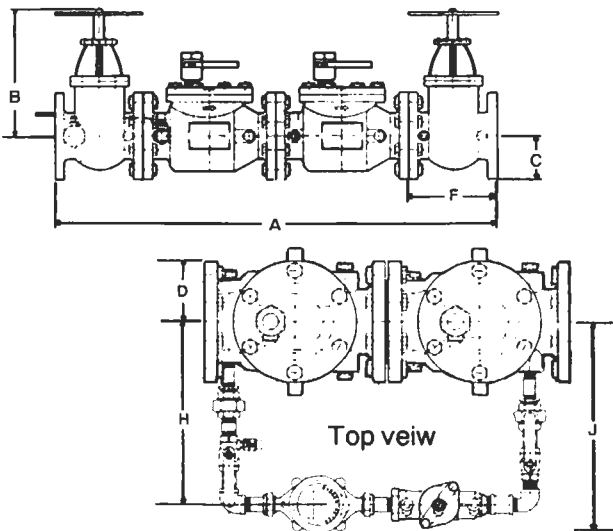
BENEFITS: Detects system leaks . . . with emphasis on the cost of unaccountable water; incorporates a meter which allows the water utility to:

- Detect leaks that waste significant amounts of water.
- Provide a detection point for unauthorized use.

PRESSURE - TEMPERATURE

Suitable for supply pressure up to 175 psi and water temperatures to 110°F continuous, 140°F intermittent.

DIMENSIONS



Sizes	A	B	C	D	F	H	J	Weight (lbs) Approx. Each
4"	47 1/8	23 3/8	4 1/2	5 13/16	9	14	16	353
6"	58 1/2	30	5 1/2	7 3/8	10 1/2	16	18	670
8"	70 3/8	40	6 3/4	8 13/16	11 1/2	18	20	1121

MODELS

Suffix

OS&Y RW - resilient wedge outside stem and yoke shut-off valve (standard)

CFM - cubic feet per minute meter (Standard)

GPM - gallons per minute meter

RR - remote reading meter

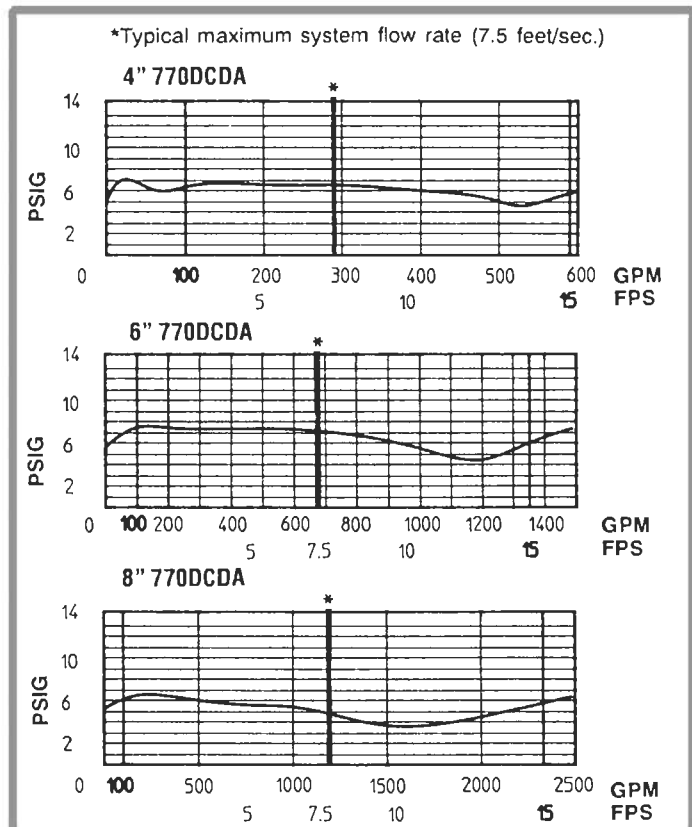
SPECIFICATIONS

Fire protection systems have two critical hydraulic features. Rated fire line flow line is evaluated at 15 feet per second flow velocity by rating agencies. Additionally, 90% of all fires are extinguished by four sprinkler heads or less resulting in pressure drop consideration at 100 GPM and less. Series 770DCDA is designed for a very low flat pressure loss at all flows for consistent performance and easy system design.

MATERIALS

Epoxy coated ductile iron check valve bodies with bronze replaceable seats, 300 series stainless steel chemically resistant rubber check valve disc. Stainless steel check components cover bolts.

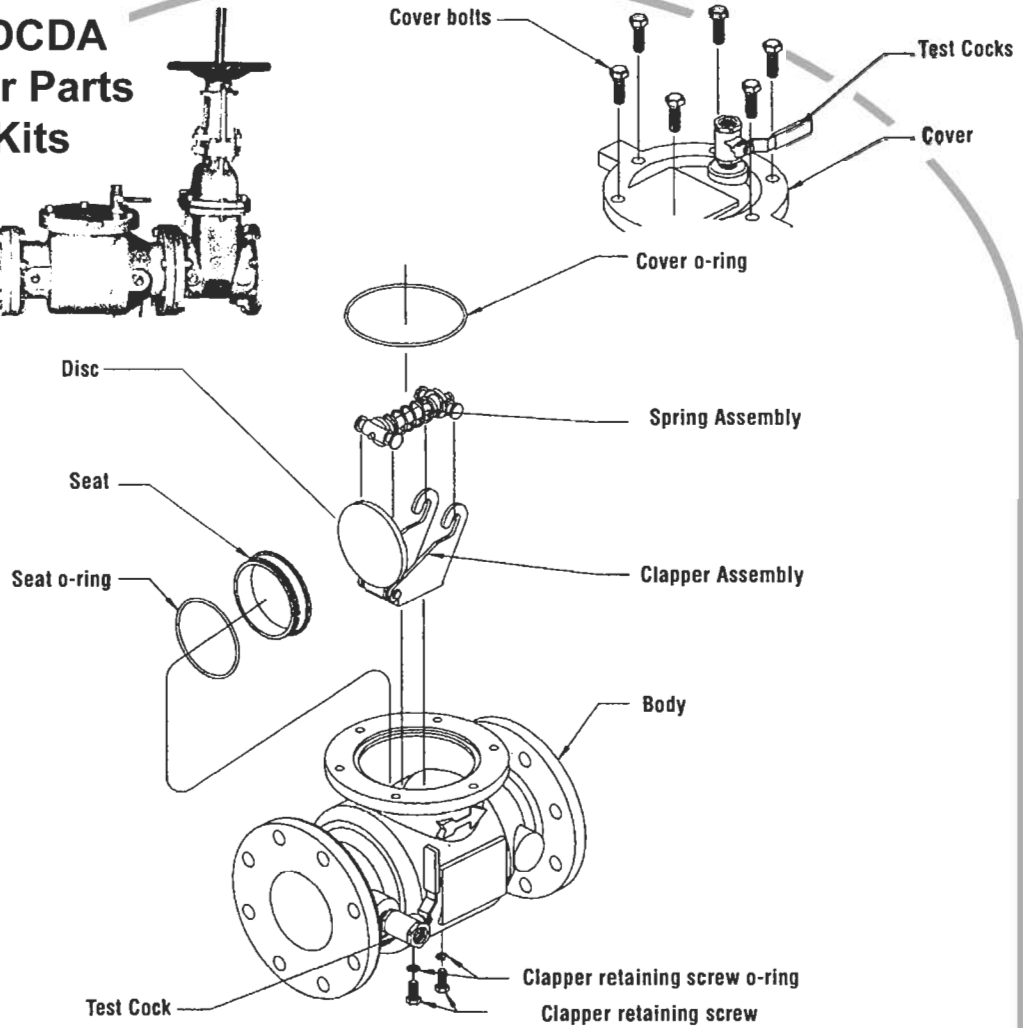
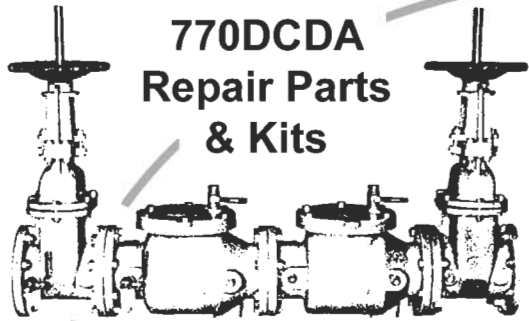
FLOW CURVES



American Backflow Specialties

(800) 66-BKFLO (619) 527-2525 Fax: (619) 527-2527
www.americanbackflow.com

Model 770/ 770DCDA Repair Parts & Kits



EDP No.	Kit No.	Sizes
---------	---------	-------

Check Repair Kits - 770

887070	RK 770 CK4	4"
887071	RK 770 CK4	6"
887072	RK 770 CK4	8"

Kits consist of: Spring Assembly and cover o-ring

Check Rubber Parts - 770

887091	RK 770 RC4	4"
887092	RK 770 RC4	6"
887093	RK 770 RC4	8"

Kits consist of: Cover o-ring, bolt o-ring, disc - for one check

Complete Repair Kits

887079	RK 770 T	4"
887080	RK 770 T	6"
887081	RK 770 T	8"

Kits consist of: 2 cover o-rings, 2 bolts o-ring, 2 disc, 2 spring assemblies - for both checks

Seat Kits - 770

887085	RK 770 S	4"
887086	RK 770 S	6"
887087	RK 770 S	8"

Kit consist of: Seat, seat o-ring - for one check.

EDP No.	Kit No.	Sizes
---------	---------	-------

Check Repair Kits - 770DCDA

887073	RK 770DCDA CK1	4"
887074	RK 770DCDA CK1	6"
887075	RK 770DCDA CK1	8"
887076	RK 770DCDA CK2	4"
887077	RK 770DCDA CK2	6"
887078	RK 770DCDA CK2	8"

Kits consist of: Spring assembly and cover o-ring

Check Rubber Parts - 770DCDA

887082	RK 770DCDA RC4	4"
887083	RK 770DCDA RC4	6"
887084	RK 770DCDA RC4	8"

Kits consist of: Cover o-ring, bolt o-ring, disc - for one check

Complete Repair Kit 770DCDA

887088	RK 770DCDA T	4"
887089	RK 770DCDA T	6"
887090	RK 770DCDA T	8"

Kits consist of: 2 cover o-ring, 2 bolts o-ring, 2 disc, 2 spring assemblies - for both checks

Seat Kits - 770DCDA

887094	RK 770DCDA S	4"
887095	RK 770DCDA S	6"
887096	RK 770DCDA S	8"

Kits consist of: Seat, seat o-ring - for one check