

## Series 772 Double Check Valve Assemblies

Sizes: 4", 6", 8", 10"

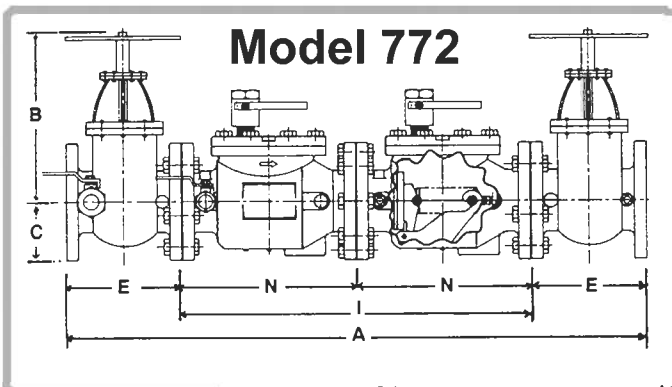
### FEATURES

- Resilient seated gate valve shutoffs
- Replaceable bronze seats
- Stainless steel internal parts
- Maximum flow at low pressure drop
- Compact for economy combined with performance
- Design simplicity for easy maintenance
- Ductile iron bodies for maximum strength

### DESCRIPTION

The 772 Series Double Check Valve Backflow Preventer is designed to prevent the reverse flow of water in water lines and to prevent polluted water entering into the potable water system. This can be applied to a variety of installations where the degree of hazard is considered to be low to intermediate and where approved for specific installations. 772 Series features a modular spring loaded design which facilitates vertical or horizontal installation.

### DIMENSIONS & WEIGHTS



Size	A		B		C	E		I	N	Weights (lbs.)	
	OS&Y	NRS	OS&Y	NRS		OS&Y	NRS			OS&Y	NRS
4"	44.87	44.87	23.31	6.00	4.50	8.00	8.00	28.87	14.44	340.	296.
6"	57.25	55.25	23.31	12.00	5.50	10.00	9.00	37.25	18.63	650.	576.
8"	59.25	58.25	29.87	19.62	6.75	11.00	10.50	46.87	23.44	806.	680.
10"	72.79	72.04	39.87	23.93	8.00	12.25	11.50	46.87	23.44	1372.	1130.

Sizes 4" and 10" approved by USC FCCC & HR.

### OPTIONS

Suffix

- NRS-RW - with resilient seated NRS gates
- OS&Y-RW - with resilient seated OS&Y gates
- S - with strainer (FDA approved epoxy coating)

### MATERIALS

Epoxy coated (FDA approved) ductile iron valve bodies with replaceable bronze seats and stainless steel trim. All sizes furnished with bronze body ball valve test cocks.

### PRESSURE - TEMPERATURE

Sizes 4" through 10" are suitable for supply pressure up to 175 psi and water temperatures to 110°F max.

### STANDARDS

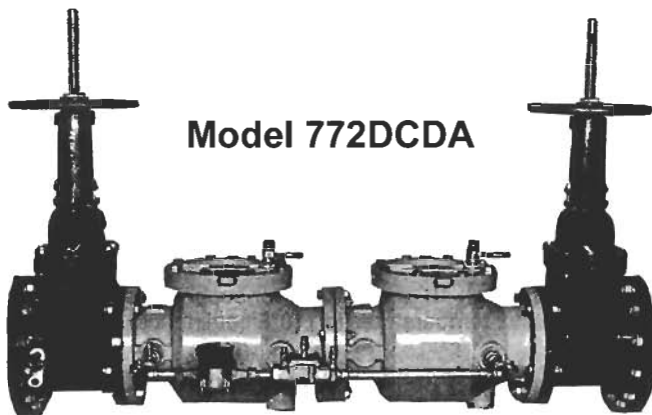
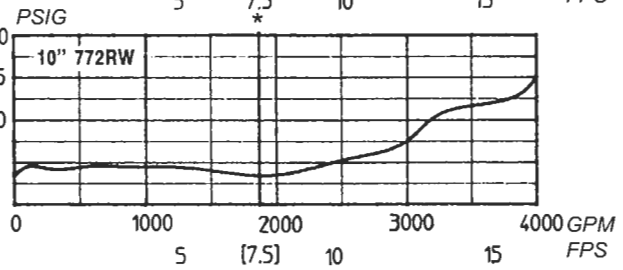
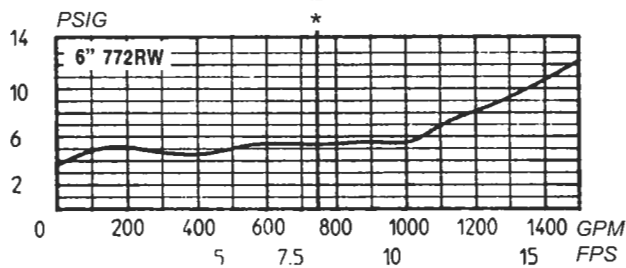
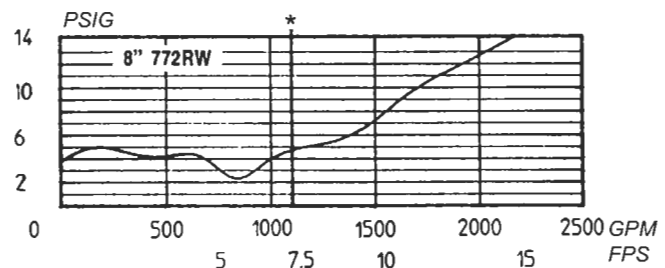
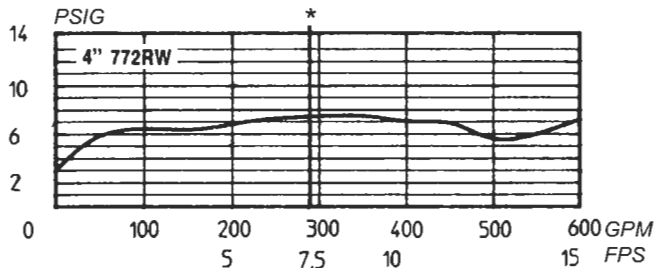
Tested and certified under the following standards for double check valve backflow preventers: ASSE No. 1015, AWWA C510, CSA B64.5 and USC Manual 8th Edition. Consult your Watts Representative or factory for other state, county and city acceptances.

### SPECIFICATIONS

#### For Double Check Valve Backflow Preventers

A double check valve assembly shall be installed at referenced cross connections to prevent the backflow of polluted water into the potable water supply. The assembly shall consist of two independently operating center stem guided check modules. Each check module shall include a captured spring, replaceable seat and replaceable seat disc. The assembly shall also include four ball type test cocks and two resilient seated isolation valves.

## FLOW CURVES: MODEL 772



Model 772DCDA

**WATTS®**  
REGULATOR

## Series 772DCDA

### Double Detector Check Assembly

Sizes: 4", 6", 8", 10"

### FEATURES

- Resilient seated gate valve shutoffs
- Replaceable bronze seats
- Stainless steel internal parts
- Maximum flow at low pressure drop
- Compact for economy combined with performance
- Design simplicity for easy maintenance
- Ductile iron bodies for maximum strength
- Toggle style checks

### DESCRIPTION

Series 772DCDA are designed exclusively for use in accordance with water utility authority containment requirements. It is mandatory to prevent the reverse flow of fire protection system substances, i.e., glycerin wetting agents, stagnant water and water of non-potable quality from being pumped or siphoned into the potable water line.

### MATERIALS

Same as Series 772 Double Check Valves.

### PRESSURE - TEMPERATURE

Same as Series 772 Double Check Valves.

### MODELS

#### Suffix

- NRS-RW - with resilient seated NRS gates
- OS&Y-RW - with resilient seated OS&Y gates
- CFM - with cubic feet per minute meter
- GPM - with gallons per minute meter

### SPECIFICATIONS

#### FOR DOUBLE CHECK DETECTOR ASSEMBLY BACKFLOW PREVENTERS

A double check detector backflow preventer shall be installed on fire protection systems when connected to a potable water supply to prevent the unwanted reversal of polluted water into the potable water supply.

The main assembly is the Series 772 Double Check Valve Backflow Preventer with the Series 772 Double Check Detector Assembly, including an hydraulically sized auxiliary line consisting of an approved backflow preventer and water meter, sized to accurately measure low flows.

### STANDARDS

- ASSE No. 1048
- CSA B64.5
- UL and FM
- USC Manual for Cross-Connection Control 8th Edition
- USC FCCC & HR Approved (4", 8", 10")

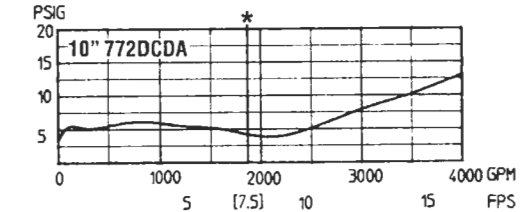
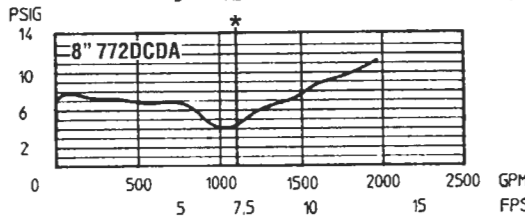
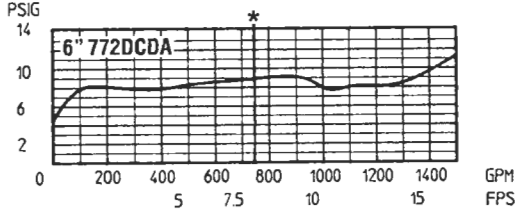
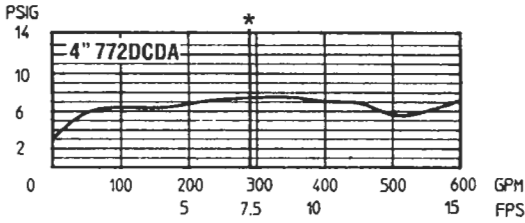
**American Backflow Specialties**  
www.americanbackflow.com

(800) 66-BKFLO

(619) 527-2525

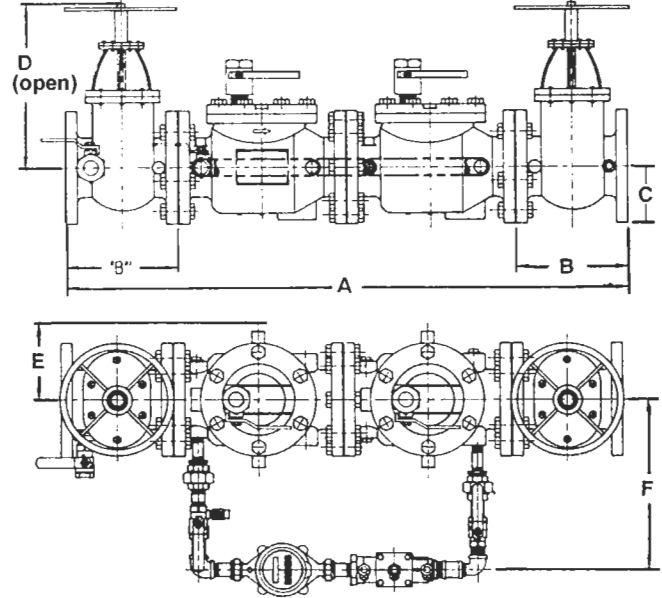
Fax: (619) 527-2527

## FLOW CURVES: Model 772 DCDA



\* Typical max flow rate (7.5 fps).

## DIMENSIONS & WEIGHTS



Size	Type	Dimensions (In.)						(lbs.)
		A	B	C	D	E	F	
4"	772DCDA OS&YRW	44 <sup>7</sup> / <sub>16</sub>	8	4 <sup>1</sup> / <sub>2</sub>	23 <sup>5</sup> / <sub>16</sub>	5 <sup>1</sup> / <sub>16</sub>	15	355
6"	772DCDA OS&YRW	57 <sup>1</sup> / <sub>4</sub>	10	5 <sup>1</sup> / <sub>2</sub>	23 <sup>5</sup> / <sub>16</sub>	7 <sup>3</sup> / <sub>8</sub>	17	614
8"	772DCDA OS&YRW	59 <sup>1</sup> / <sub>4</sub>	11	6 <sup>3</sup> / <sub>4</sub>	29 <sup>7</sup> / <sub>16</sub>	7 <sup>3</sup> / <sub>8</sub>	18 <sup>5</sup> / <sub>8</sub>	770
10"	772DCDA OS&YRW	72 <sup>1</sup> / <sub>16</sub>	12 <sup>1</sup> / <sub>4</sub>	8	39 <sup>7</sup> / <sub>16</sub>	8 <sup>1</sup> / <sub>16</sub>	18 <sup>5</sup> / <sub>8</sub>	1351

## REPAIR PARTS & KITS: 772 & 772DCDA

No.	Kit No.	Sizes
<b>Check Rubber Parts</b>		
887065	RK 772/772 DCDA RC4	4"
887066	RK 772/772 DCDA RC4	6"- 8"
887067	RK 772/772 DCDA RC4	10"

Kits consist of: Cover o-ring, bolt o-ring, disc - for one check

### 1st or 2nd check kits

887050	RK 772 CK4	4"
887051	RK 772 CK4	6"- 8"
887052	RK 772 CK4	10"
887056	RK 772DCDA CK1	4"
887057	RK 772DCDA CK1	6"- 8"
887058	RK 772DCDA CK1	10"
887059	RK 772DCDA CK2	4"
887060	RK 772DCDA CK2	6"- 8"
887061	RK 772DCDA CK2	10"

Kits consist of: Spring assembly and cover o-ring

### Complete Repair Kits

887053	RK 772 T	4"
887054	RK 772 T	6"- 8"
887055	RK 772 T	10"
887062	RK 772 DCDA T	4"
887063	RK 772 DCDA T	6"- 8"
887064	RK 772 DCDA T	10"

Kits consist of: 2 cover o-rings, 2 discs, 2 spring assembly, 2 bolt o-ring - for both checks

### Seat Kits

887097	RK 772 S	4"
887098	RK 772 S	6"- 8"
887099	RK 772 S	10"
887100	RK 772DCDA S	4"
887101	RK 772DCDA S	6"- 8"
887102	RK 772DCDA S	10"

Kits consist of: Seat, seat o-ring - for one check

