

## Model 773 Double Check Assembly 4" and 6"

### Materials

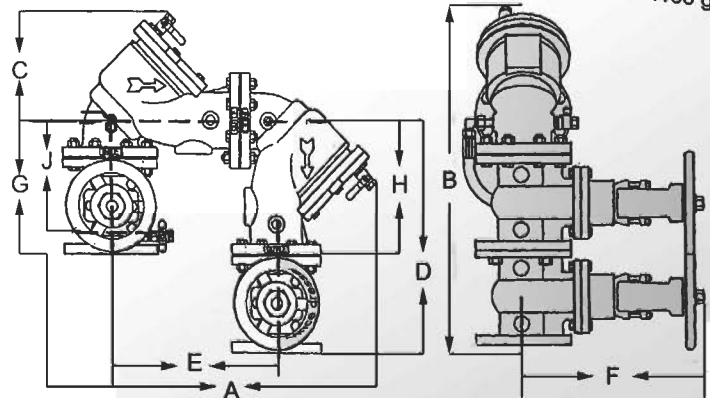
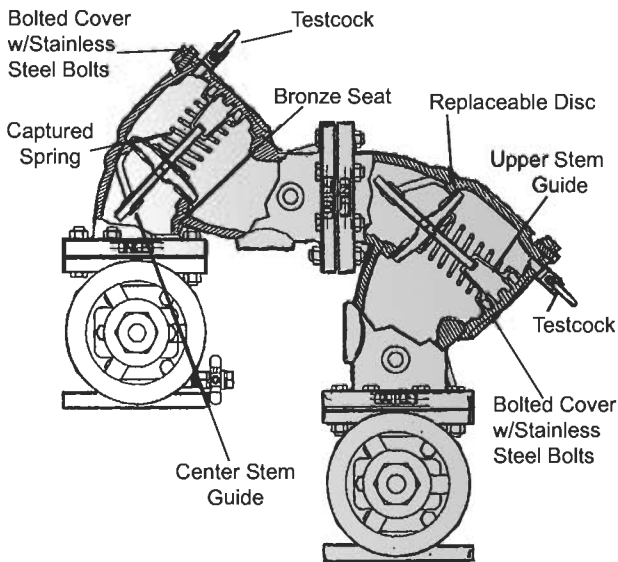
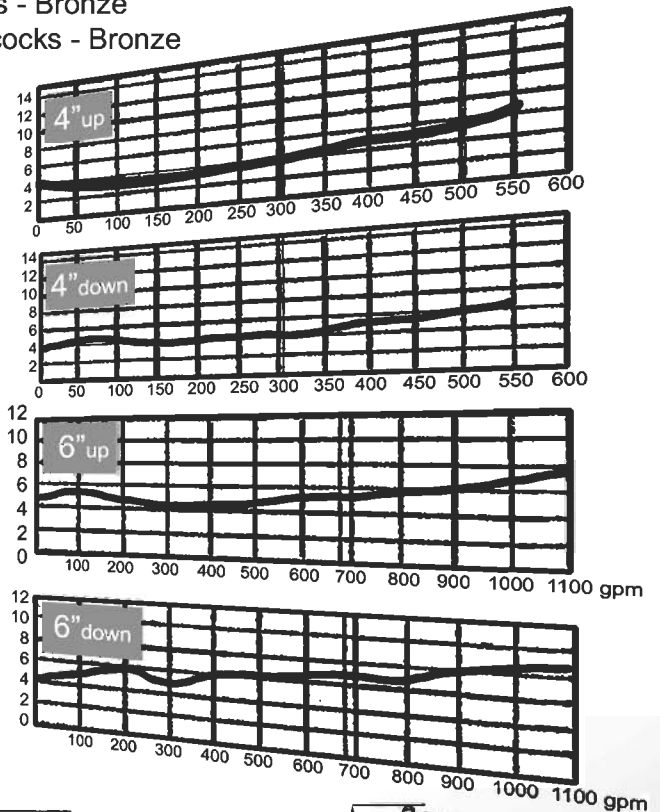
Check bodies - Fused, FDA app'd epoxy coated cast iron  
Seats - Bronze  
Testcocks - Bronze

### Description

This model was made from 1998 to 1999. Its internal check parts are very similar to the 709. The body of this assembly is designed for up and down piping configurations. Check/relieve valve springs are contained and seats are replaceable.

### Pressure - Temperature

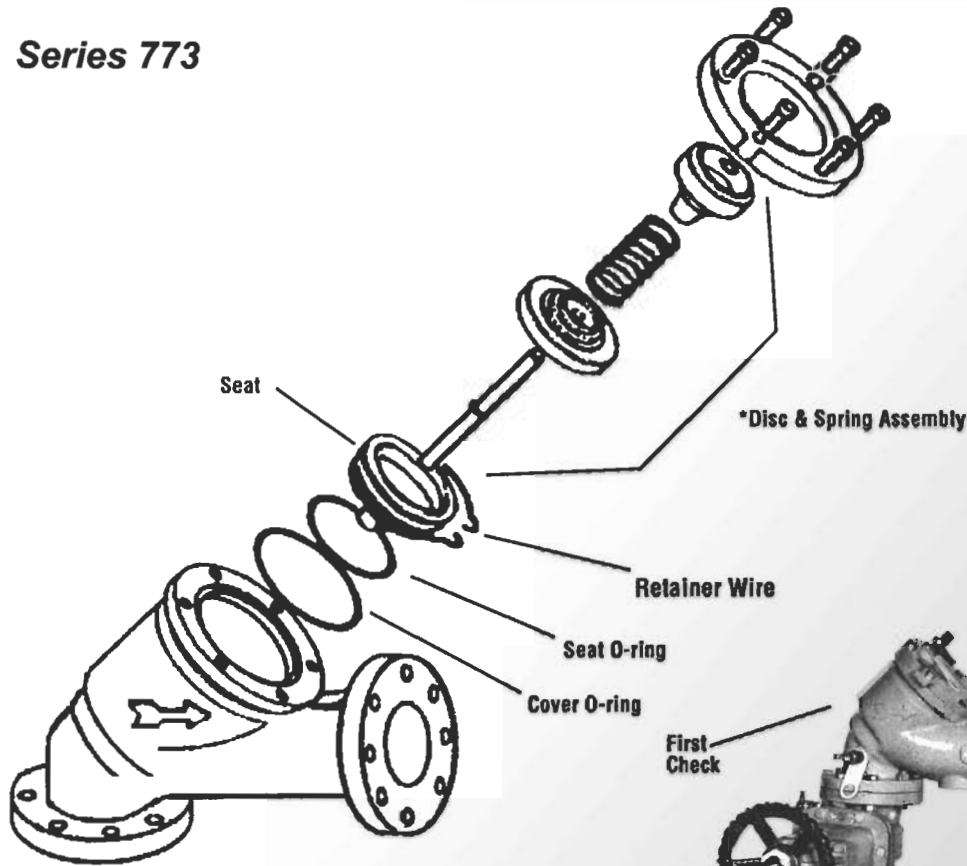
Pressure rate up to 175 psi  
Temperatures to 110° F (140° F intermittent)



### Dimensions & Weight (approximate)

size	A	B	C	D	E	F open	F closed	G	H	Lbs.
993-LF 4"	30 3/4	-	10	-	16 1/4	-	-	-	12 1/2	209
993-OSY 4"	32 1/4	31 5/8	10	21 5/8	16 1/4	23 3/4	19 1/4	12 3/4	-	300
993-NRS 4"	32 1/4	31 5/8	10	21 5/8	16 1/4	15 1/4	12 3/4	12 3/4	-	285
993-LF 6"	38 9/16	-	12 7/8	-	20 1/16	-	-	-	15 5/16	315
993-OSY 6"	38 9/16	38 13/16	12 7/8	25 15/16	20 1/16	32 1/2	27	15 5/16	-	375
993-NRS 6"	38 9/16	38 13/16	12 7/8	25 15/16	20 1/16	20	20	15 5/16	-	360

## Series 773



**\*WARNING:** Spring assembly is factory assembled. **DO NOT DISASSEMBLE.**

\*Disc & Spring Assembly

Retainer Wire

Seat O-ring

Cover O-ring

First Check

Second Check

**NOTE:**  
No special tools required to service Series 773

## Repair Kits:

Ordering No.	Kit No.	Size
--------------	---------	------

### First or Second Check Kit

888415	RK 773 CK4	4"
888428	RK 773 CK4	6"

Kits consist of: Disc & Spring assembly and Cover o-ring.

### First or Second Check Rubber Parts Kit

888416	RK 773 RC4	4"
888429	RK 773 RC4	6"

Kits consist of: Disc, Seat o-ring and Cover O-ring.

### Seat Kit for Check

888417	RK 773 S	4"
888430	RK 773 S	6"

Kits consist of: Seat, Seat o-ring, Cover o-ring and Retainer wire.

### Cover Kit

888418	RK 773 C	4"
888431	RK 773 C	6"

Kits consist of: Cover and Cover o-ring.

Ordering No.	Kit No.	Size
--------------	---------	------

### First Check Kit

888420	RK 773DCDA CK1	4"
888432	RK 773DCDA CK1	6"

### Second Check Kit

888421	RK 773DCDA CK2	4"
888433	RK 773DCDA CK2	6"

Kits consist of: Disc & Spring assembly and Cover o-ring.

### First or second check Rubber Parts Kit

888422	RK 773DCDA RC4	4"
888434	RK 773DCDA RC4	6"

Kits consist of: Disc, Seat O-ring and Cover O-ring.

### Seat Kit for Check

888423	RK 773DCDA S	4"
888435	RK 773DCDA S	6"

Kits consist of: Seat, Seat o-ring, Cover o-ring and Retainer wire.

### Cover Kit

888424	RK 773DCDA C	4"
888436	RK 773DCDA C	6"

Kits consist of: Cover and Cover o-ring.

**American Backflow Specialties**

[www.americanbackflow.com](http://www.americanbackflow.com)

(800) 66-BKFLO

(619) 527-2525

Fax: (619) 527-2527