

Series 900 Reduced Pressure Zone Assemblies 2" through 6"

DESCRIPTION

This Reduced Pressure Assembly was produced from 1970 until 1988. All seats are replaceable. The first check and relief valve seats are not contained in the assembly upon disassembly.

MATERIALS

- 2½", 3" — Standard Bronze Construction
- 4" — Optional Bronze Construction
- 4", 6" — Standard Iron Construction

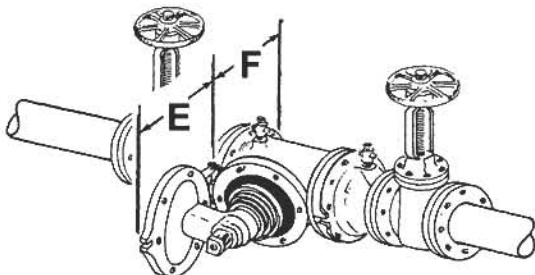
Iron body construction has internal waterways epoxy coated (FDA approved) — stainless steel and brass internal parts and flange bolts — durable, tight-seating rubber check valve assemblies.

PRESSURE - TEMPERATURE

Suitable for supply pressure up to 175 psi. and for water temperature up to 110°F.

DIMENSIONS & WEIGHT

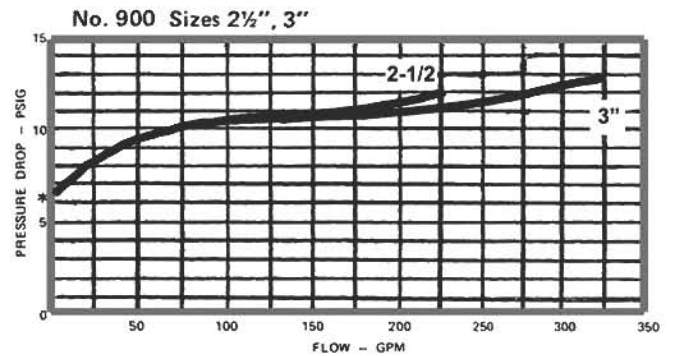
Sizes (In.)	Material	DIMENSIONS (Inches)						Total Weight (Lbs.)
		A	B	C	D	E	F	
2½	Bronze	36½	16¼	3½	21	9 ⁵ / ₁₆	10	210
3	Bronze	37½	16¼	3¾	21	9 ⁵ / ₁₆	10	240
4	Bronze	45 ¹¹ / ₁₆	19½	6½	27½	16	13	514
4	Iron	45 ¹¹ / ₁₆	19½	6½	27½	16	13	571
6	Iron	59 ⁹ / ₁₆	24	8 ⁵ / ₈	38 ⁷ / ₁₆	21	19½	1,120



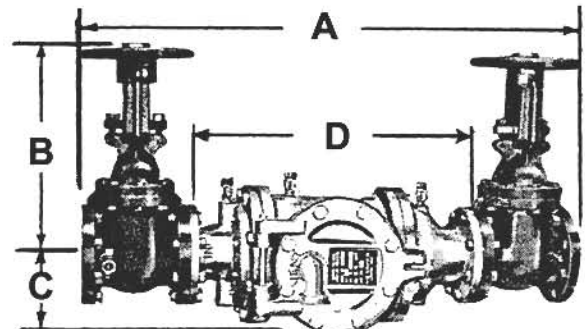
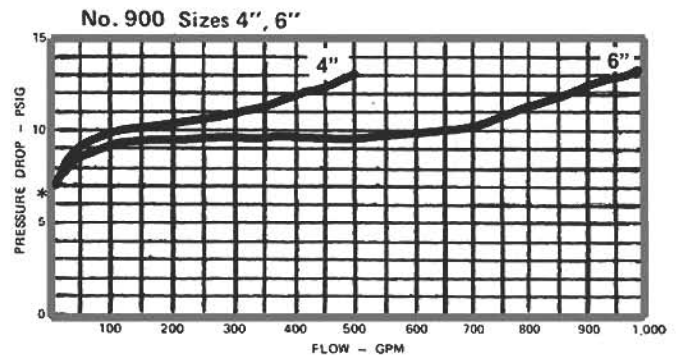
STANDARDS

Designed to equal or exceed the requirements of A.S.S.E. standards 1013. AWWA standards C-506

FLOW CURVES

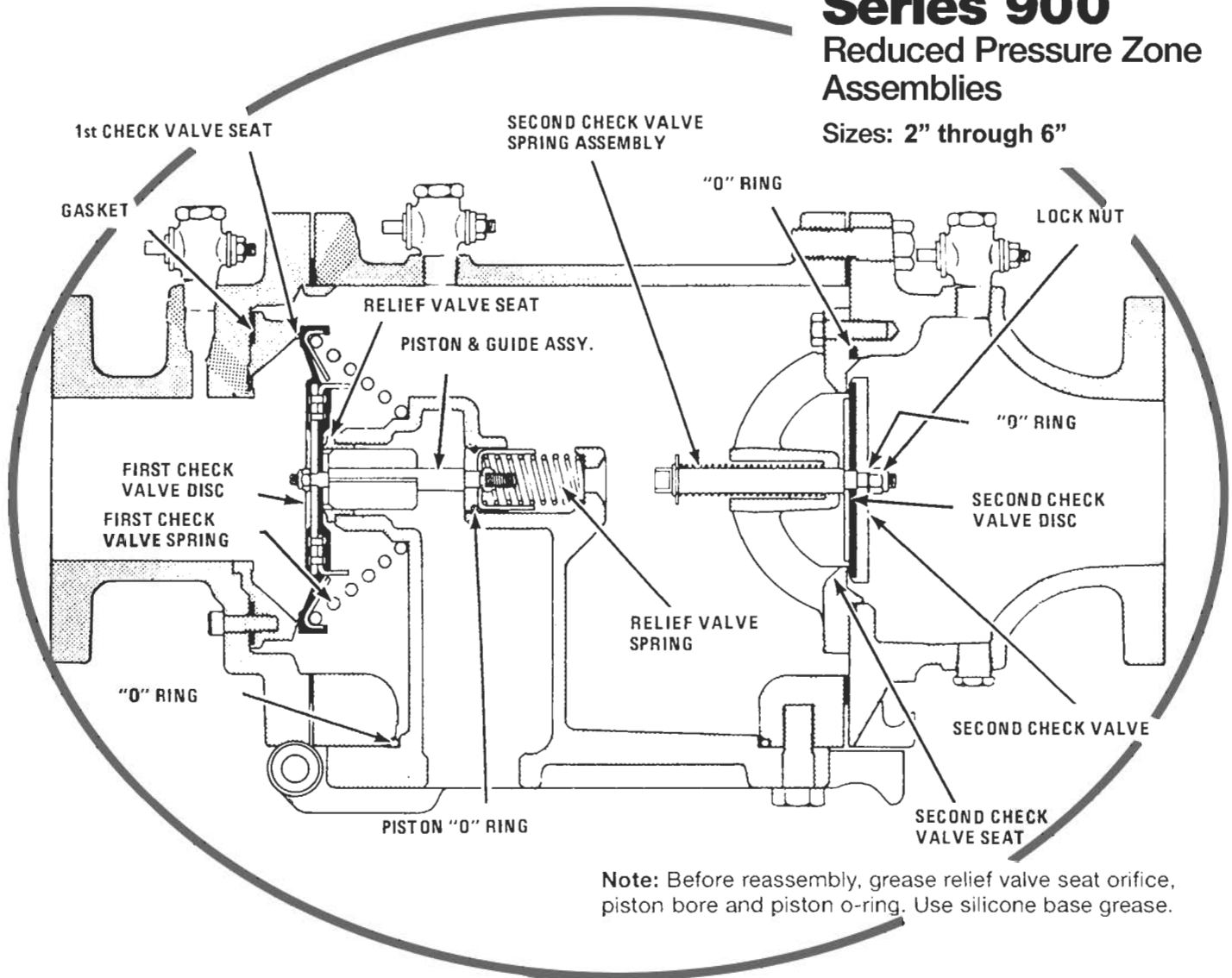


* OPENING PRESSURE



Series 900 Reduced Pressure Zone Assemblies

Sizes: 2" through 6"



Note: Before reassembly, grease relief valve seat orifice, piston bore and piston o-ring. Use silicone base grease.

REPAIR KITS

EDP No.	Kit No.	Size	EDP No.	Kit No.	Size
First Check Assembly Kits:			Rubber Parts Kits:		
889100	36 BFP-RK	2½", 3"	881295	42 BFP-RK	2½", 3"
889110	37 BFP-RK	4"	881297	43 BFP-RK	4"
889120	38 BFP-RK	6"	881298	44 BFP-RK	6"
Second Check Assembly Kits:			Series 900 Maintenance Tool Kits:		
889105	39 BFP-RK	2½", 3"	834019	SAT900H153	2½", 3"
889115	40 BFP-RK	4"	834042	SAT900J153	4"
889125	41 BFP-RK	6"	834018	SAT900K153	6"

Kit consists of: first check valve seat and disc, valve spring, gasket, relief valve seat and spring.

Kit consists of: first check valve disc, second check valve disc, o-rings and silicone grease.

Kit consists of: second check valve spring assy, valve disc and seat, o-rings, lock nut, piston o-ring and guide assy. and relief valve o-ring.

American Backflow Specialties

www.americanbackflow.com

(800) 66-BKFLO

(619) 527-2525

Fax: (619) 527-2527