



Model 993 Reduced Pressure Zone Assembly 4" and 6"

Materials

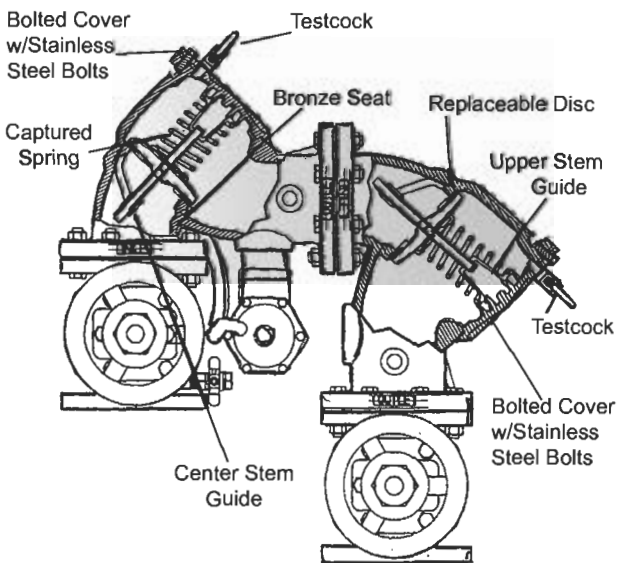
Check bodies - Fused, FDA app'd epoxy coated cast iron
Bronze seats
Relieve Valve - Bronze with stainless steel trim
Testcocks - Bronze

Description

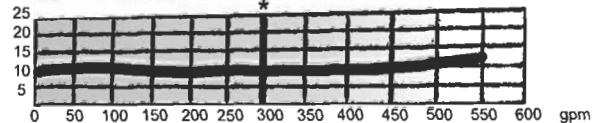
This model was made from 1998 to 1999. Its internal check parts are very similar to the 909, while the relief valve is similar to the 990. The body of this assembly is designed for up and down piping configurations. Check/relieve valve springs are contained and seats are replaceable.

Pressure - Temperature

Pressure rate up to 175 psi
Temperatures to 110° F



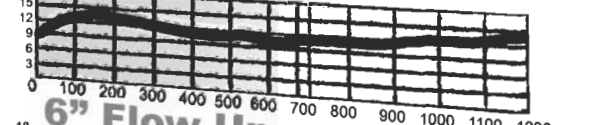
4" Flow Down



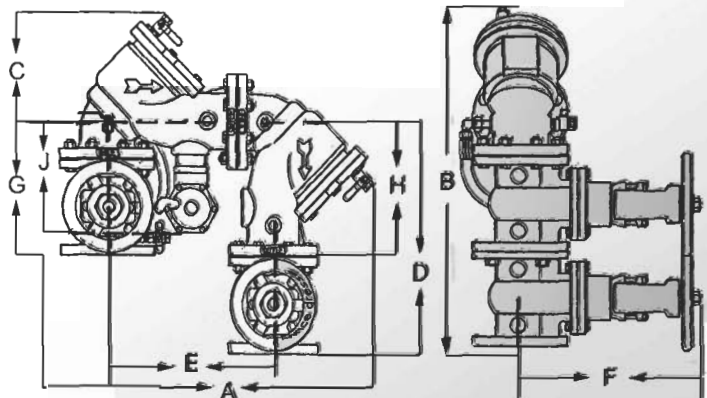
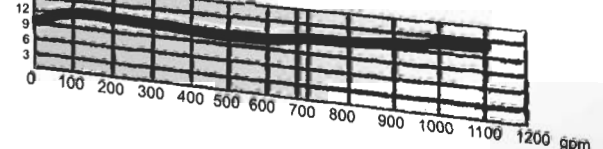
4" Flow Up



6" Flow Down



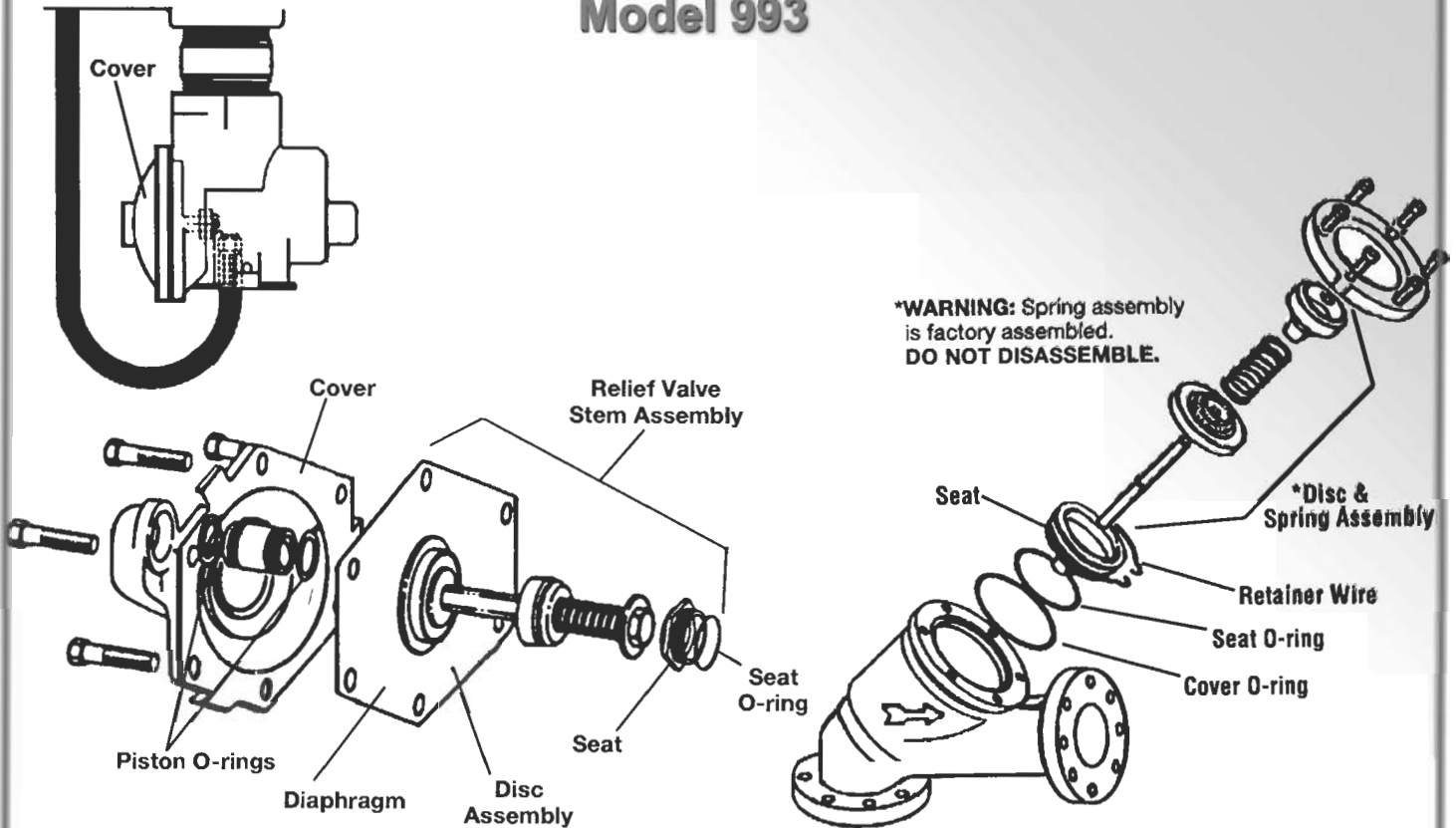
6" Flow Up



Dimensions & Weight

	size	A	B	C	D	E	F _{open}	F _{closed}	G	H	J	lbs.
993-LF	4"	30 3/4	-	10	-	16 1/4	-	-	-	12 1/2	10 1/2	250
993-OSY	4"	32 1/4	31 5/8	10	21 5/8	16 1/4	23 3/4	19 1/4	12 3/4	-	-	350
993-NRS	4"	32 1/4	31 5/8	10	21 5/8	16 1/4	15 1/4	12 3/4	12 3/4	-	-	335
993-LF	6"	38 9/16	-	12 7/8	-	20 1/16	-	-	-	15 5/16	11 5/16	350
993-OSY	6"	38 9/16	38 13/16	12 7/8	25 15/16	20 1/16	32 1/2	27	15 5/16	-	11 5/16	425
993-NRS	6"	38 9/16	38 13/16	12 7/8	25 15/16	20 1/16	20	20	15 5/16	-	11 5/16	410

Model 993



Relief valve kits:

Series 993

EDP No.	Kit No.	Size
Relief Valve Rubber Parts		
888045	RK 993 RV	4"
888507	RK 993 RV	6"

Kit consists of: Relief valve diaphragm, Piston o-rings, Disc assembly, Seat o-ring and Lubricant.

Relief Valve Total

888046	RK 993 VT	4"
888508	RK 993 VT	6"

Kit consists of: Relief valve stem assembly, Seat o-ring, and Lubricant.

Check valve kits:

When ordering specify EDP No., Kit No. and Valve Size.

Series 993

EDP No.	Kit No.	Size
First Check Kit		
888040	RK 993 CK1	4"
888500	RK 993 CK1	6"

Second Check Kit

888041	RK 993 CK2	4"
888501	RK 993 CK2	6"

Kit consists of: Disc & Spring assembly, Cover o-ring and Lubricant.

First Check Rubber Parts Kit

888042	RK 993 RC1	4"
888502	RK 993 RC1	6"

Second Check Rubber Parts Kit

888043	RK 993 RC2	4"
888503	RK 993 RC2	6"

Kit consists of: Disc assembly, Cover o-ring and Lubricant.

Seat Kit for Checks

888044	RK 993 S	4"
888504	RK 993 S	6"

Kit consists of: Seat, Seat o-ring, Cover o-ring, Retainer wire and Lubricant.

Total Rubber Parts Kit

888048	RK 993 RT	4"
888505	RK 993 RT	6"

Kit consists of: Disc assembly, Cover o-ring, Sleeve o-ring, Piston o-ring, RV disc assembly, Diaphragm, Piston seat and Lubricant.

Cover Kit

888047	RK 993 C	4"
888506	RK 993 C	6"

Kit consists of: Cover, Cover o-ring, and Lubricant.

*American Backflow
Specialties*

www.americanbackflow.com

(800) 66-BKFLO

(619) 527-2525

Fax: (619) 527-2527