



## Model 995 Reduced Pressure Zone Assembly 1/2" to 1-1/2"

### Models

Suffix S - Bronze Strainer

### Materials

Corrosion resistant plastic bodied relief valve.  
Silicone discs.  
Braided stainless steel hose  
Stainless steel access cover with stainless bolts.  
Two nickel plated resilient seated ball valve shutoffs  
Electroless nickel-plated tubular copper body.

### Features

- Tubular lead free copper body creates smooth flow path and low head loss
- External/internal electroless nickel-plated body acts as an oxygen barrier for corrosion resistance
- Threaded-in check modules eliminate the use of check retainers for lower pressure loss
- Bottom mounted relief valve reduces length allowing smaller space requirements
- Separate relief valve access cover allows the checks to be serviced independently of relief valve
- Unique relief valve cover nut design eliminates use of cover bolts and simplifies alignment
- Flexible stainless steel braided hose, senses supply pressure at mid-point to reduce fouling
- Seats replaceable without special tools
- Bolted on, top entry stainless steel check valve cover with an O-ring seal limits torque requirements
- Crush seal check module O-ring for positive seating

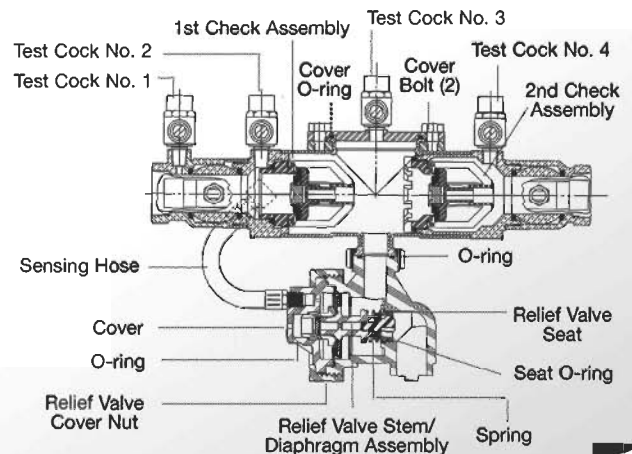
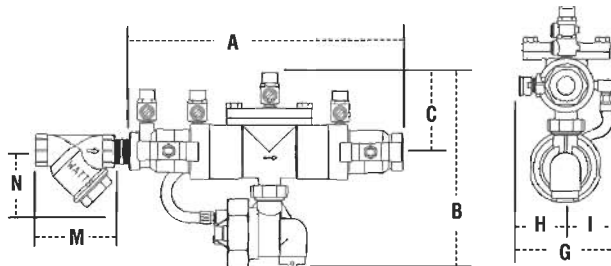
### Pressure - Temperature

Temperature Range: 33°F – 180°F continuous  
Maximum Working Pressure: 175psi

### Approvals

ASSE 1013, AWWA C511,  
CSA B64.4, USC-FCCC&HR

### Dimensions & Weight

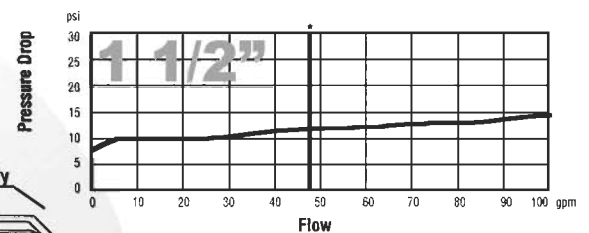
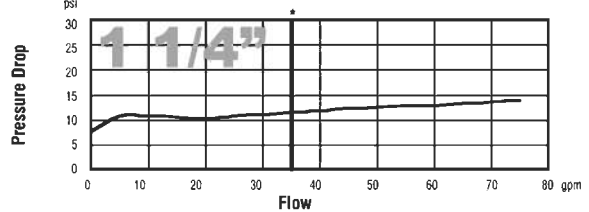
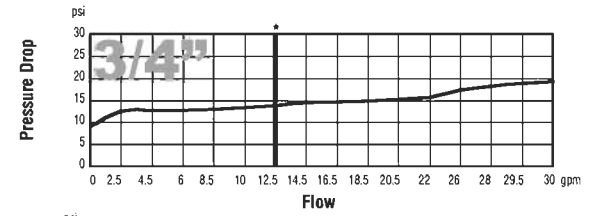
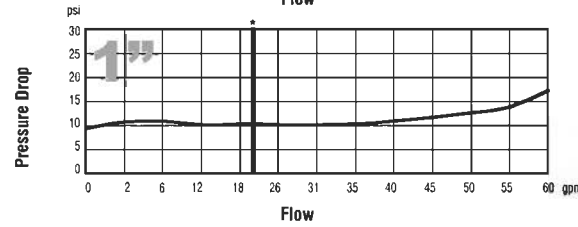
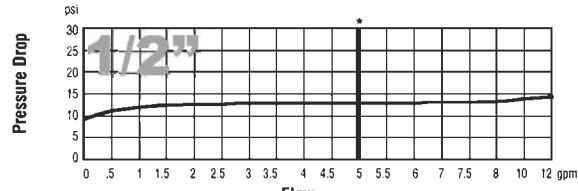


SIZE (DN)		DIMENSIONS												WEIGHT				
in.	mm	A		B		C		G		H		I		M		N		lbs.
1/2	15	9	228	7 1/4	184	2 5/8	67	3 3/8	92	1 5/8	41	2	51	3	76	3	76	5
3/4	20	9	228	7 1/4	184	2 5/8	67	3 3/8	92	1 5/8	41	2	51	3 1/2	89	3	76	5
1	25	11 1/2	292	8 1/16	205	3 5/16	84	4 1/8	105	2	51	2 1/8	54	4 3/4	121	3 3/4	83	7
1 1/4	32	15 3/8	390	11	279	4 7/16	113	6	152	3 3/4	82	2 3/4	69	4 1/2	114	3 1/2	89	18
1 1/2	40	15 3/8	390	11	279	4 7/16	113	6	152	3 3/4	82	2 3/4	69	4 7/8	124	4	102	18

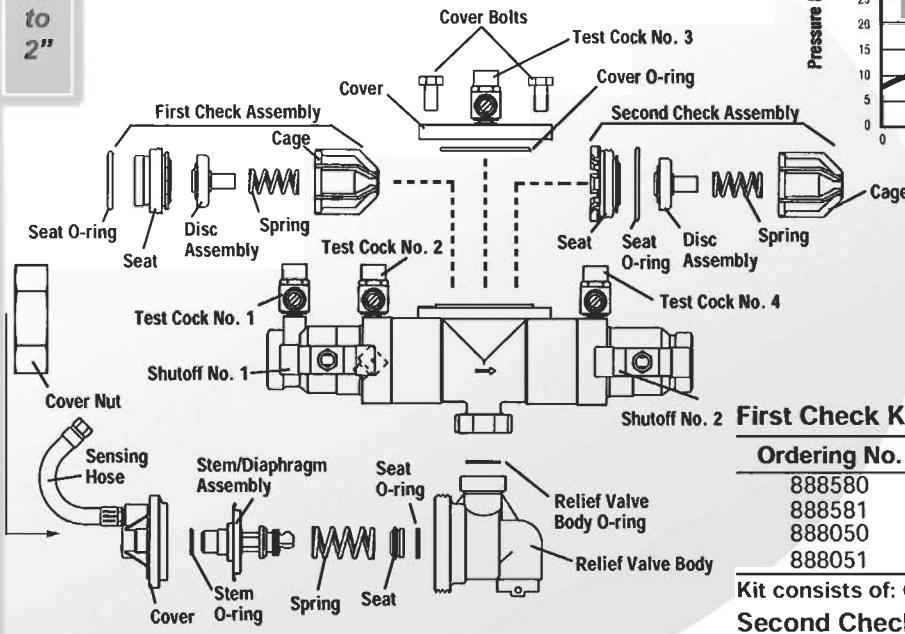
†Subscript "S" = strainer model

**M  
O  
D  
E  
L  
  
9  
9  
5  
  
1/2" to 2"**

**Flow Curves** \*Typical maximum system flow rate (7.5 feet/sec.)



2" Flow Chart Not Available



**Repair Kits & Parts**

**Total Rubber Parts Kits**

Ordering No.	Kit No.	Size
888592	RK 995 RT	1/2" - 3/4"
888593	RK 995 RT	1"
888062	RK 995 RT	1 1/4" - 1 1/2"
888063	RK 995 RT	2"

**Kit consists of:** Diaphragm, Relief valve disc, Two check valve disc assemblies, Stem o-ring, Cover o-ring, Two check seat o-rings, Relief valve seat o-ring and relief valve body o-ring.

**Relief Valve Kits**

Ordering No.	Kit No.	Size
888589	RK 995 VT	1/2" - 1"
888060	RK 995 VT	1 1/4" - 1 1/2"
888061	RK 995 VT	2"

**Kit consists of:** Seat, Seat o-ring, Stem and diaphragm assembly, Stem o-ring, Cover o-ring and Relief valve spring.

**Relief Valve Rubber Parts Kits**

Ordering No.	Kit No.	Size
888588	RK 995 RV	1/2" - 1"
888058	RK 995 RV	1 1/4" - 1 1/2"
888059	RK 995 RV	2"

**Kit consists of:** Diaphragm, Disc, Stem o-ring, Seat o-ring and Cover o-ring.

**First Check Kits**

Ordering No.	Kit No.	Size
888580	RK 995 CK1	1/2" - 3/4"
888581	RK 995 CK1	1"
888050	RK 995 CK1	1 1/4" - 1 1/2"
888051	RK 995 CK1	2"

**Kit consists of:** Check assembly and Cover o-ring.

**Second Check Kits**

Ordering No.	Kit No.	Size
888582	RK 995 CK2	1/2" - 3/4"
888583	RK 995 CK2	1"
888052	RK 995 CK2	1 1/4" - 1 1/2"
888053	RK 995 CK2	2"

**Kit consists of:** Check assembly and Cover O-ring.

**First Check Rubber Parts**

Ordering No.	Kit No.	Size
888584	RK 995 RC1	1/2" - 3/4"
888585	RK 995 RC1	1"
888054	RK 995 RC1	1 1/4" - 1 1/2"
888055	RK 995 RC1	2"

**Kit consists of:** Seat o-ring, Disc assembly and Cover O-ring.

**Second Check Rubber Parts**

Ordering No.	Kit No.	Size
888586	RK 995 RC2	1/2" - 3/4"
888587	RK 995 RC2	1"
888056	RK 995 RC2	1 1/4" - 1 1/2"
888057	RK 995 RC2	2"

**Kit consists of:** Seat o-ring, Disc assembly and Cover o-ring.

**Cover Kits**

Ordering No.	Kit No.	Size
888590	RK 995 C	1/2" - 3/4"
888591	RK 995 C	1"
888064	RK 995 C	1 1/4" - 1 1/2"
888065	RK 995 C	2"

**Kit consists of:** Cover and Cover o-ring.

**American Backflow Specialties**

[www.americanbackflow.com](http://www.americanbackflow.com)

(800) 66-BKFLO

(619) 527-2525

Fax: (619) 527-2527

Shown  
without  
gate  
valves



## Model 995

## Reduced Pressure Zone Assembly 3" to 6"

### Materials

All Internals: 300 series Stainless Steel  
Main Valve Body: 300 series Stainless Steel  
Check Assy: Noryl  
Flange dimensions AWWA Class D

### Pressure - Temperature

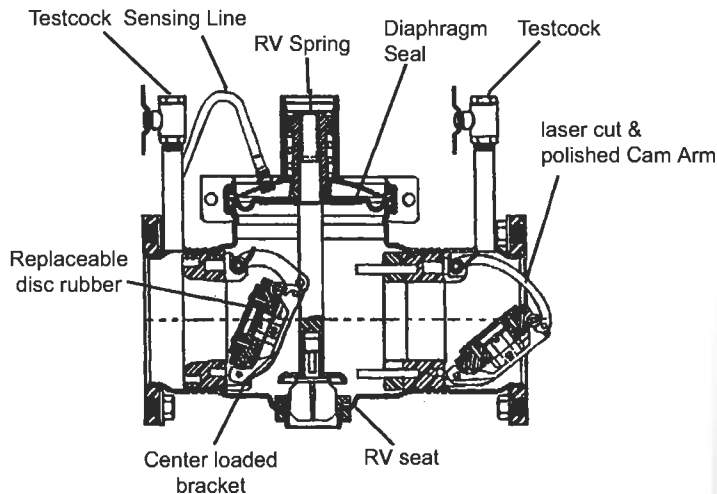
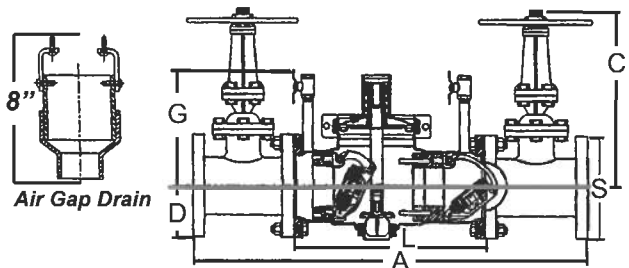
Maximum Supply Pressure: 175 psi  
Water Temperature to 140° F continuous.

### Features

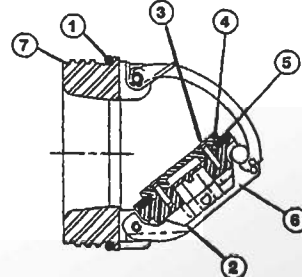
- 40% shorter lay length
- Stainless steel reduced shipping weight
- DynaFloat spring check valves reduce disc rubber wear due to back pressure.
- Center loaded pivot arm distributes check spring load evenly.
- Reversible check disc rubber
- Single top access cover with 2-bolt groove coupling
- Stainless Steel promotes corrosion resistance
- No special tools required to service
- In-line relief valve
- Bulkhead-mounted relief valve seats
- Dia-Seal relief valve for minimal parts & maintenance

### DIMENSIONS & WEIGHT

SIZE	A	C(os&y)	C(nrs)	D	G	L	S	Wt. w/GVs	Wt. w/o GVs
3"	36-1/8	18-7/8	12-3/8	3-3/4	10-1/2	20	7-1/2	194 LBS	47 LBS
4"	34-5/8	22-3/4	14-3/4	4-1/2	10-1/2	16-1/2	9	259 LBS	46 LBS
6"	43-5/8	30-1/8	19	5-1/2	12-1/2	22-1/2	11	408 LBS	87 LBS

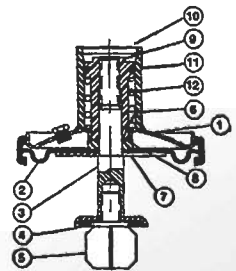


### Checks



1. 1st cam check o-ring
2. Clapper assembly
3. Clapper retaining plate screws
4. Clapper retaining plate
5. Clapper disc
6. Pivot arm pin - 2 C-clips
7. 2nd Cam-check o-ring

### Relief Valve



1. Cover
2. Diaphragm/gasket
3. Shaft
4. Sealing disc
5. Guide, lower
6. O-ring
7. Support disc
8. Diaphragm stop disc
9. Guide, upper
10. Dust cover
11. O-ring, upper
12. Spring

### FLOW CURVES

