



## WILKINS

a ZURN company

### Model 420 Pressure Vacuum Breaker with Integral Anti-Freeze Relief Valve 1/2" to 1"

#### FEATURES

Maximum working water pressure	175 PSI
Maximum working water temperature	140°F
Hydrostatic test pressure	350 PSI
Threaded connections	ANSI B1.20.1
Integral anti-freeze relief valve	
Replaceable thermoplastic modular cartridge	

#### ACCESSORIES

- Repair kit (complete)
- Repair kit (rubber only)
- Repair kit (freeze kit)
- Water hammer arrester (Model 1250)

#### STANDARDS COMPLIANCE

- ASSE® Listed 1020
- IAPMO® Listed
- CSA® Certified
- Approved by the Foundation for Cross Connection Control and Hydraulic Research at the University of Southern California

#### TYPICAL INSTALLATION

Local codes shall govern installation requirements. Unless otherwise specified, the assembly shall be mounted as shown below, so that no part of the unit may be at any time submerged. A PVB cannot be installed where backpressure could occur.

#### MATERIALS

Main valve body	Cast Bronze ASTM B 584
Elastomers	Silicone (FDA Approved) Buna Nitrile (NSF Listed)
Polymers	Polypropylene (FDA Approved) Delrin™ (NSF Listed) Noryl™ (NSF Listed)
Springs	Stainless Steel, 300 Series

#### DIMENSIONS & WEIGHTS

SIZE in.	DIMENSIONS (approximate)						WT lbs.
	A		B		C		
	in.	mm	in.	mm	in.	mm	
1/2	6 3/8	162	4	102	3 5/8	92	3
3/4	6 3/4	172	4 1/4	108	3 13/16	97	4
1	7 15/16	202	4 15/16	125	4 1/2	114	5

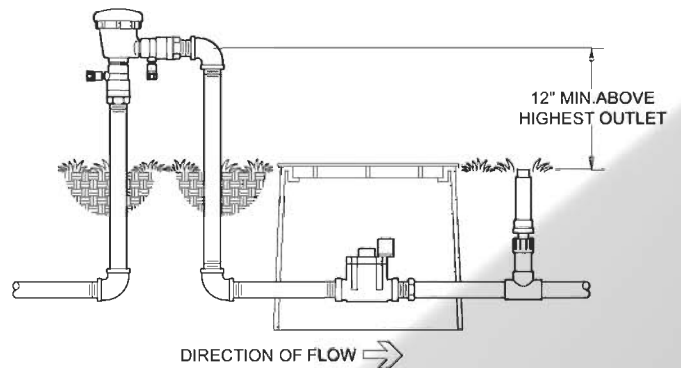
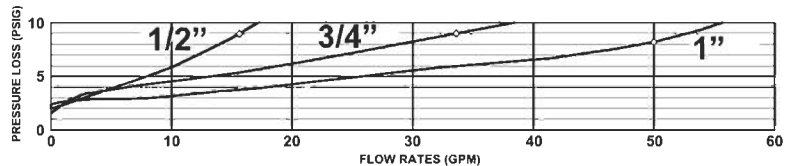
#### OPTIONS

- with full port QT ball valves (standard)

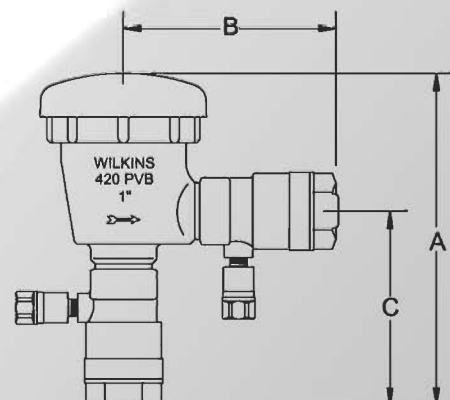
#### APPLICATION

Designed for installation on potable water lines to protect against backsiphonage of contaminated water into the potable water supply. Supplied with an integral anti-freeze relief valve to reduce the risk of valve damage under intermittent, non-seasonal freezing conditions. Designed for use under continuous pressure. Assembly shall provide protection where a potential health hazard exists.

#### FLOW CHARACTERISTICS



OUTDOOR INSTALLATION



# MODEL 420

## 1/2" & 3/4" Repair Kits

## 1" Repair Kits

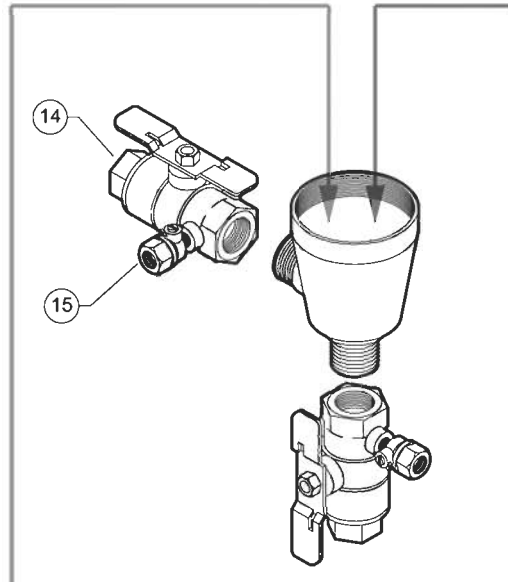
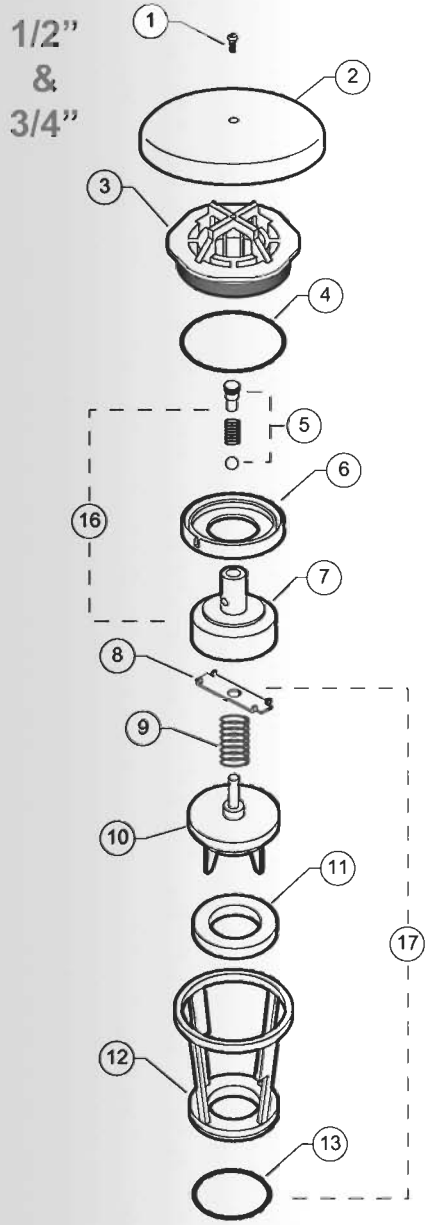
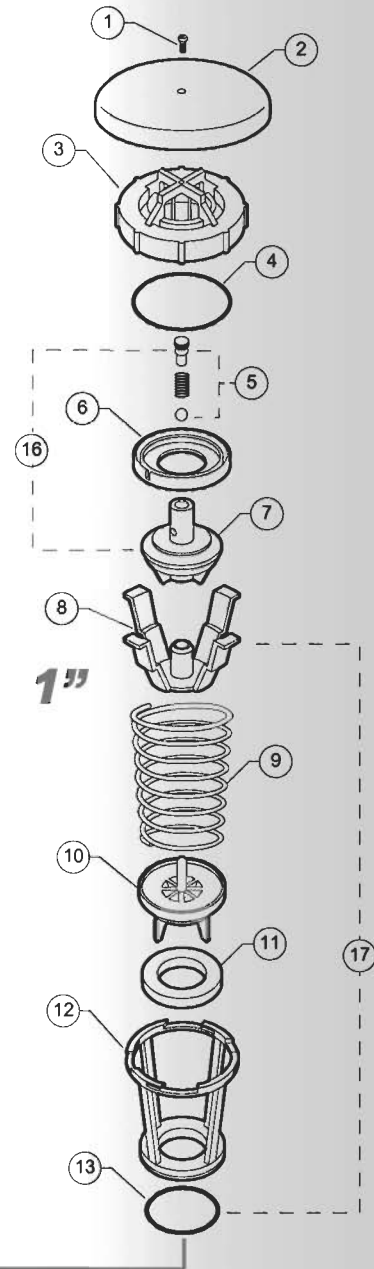
NO. RK12-420			FULL REPAIR KIT			NO. RK1-420			FULL REPAIR KIT		
QTY.	PART NO.	DESCRIPTION	PART NO.	DESCRIPTION	PART NO.	DESCRIPTION	PART NO.	DESCRIPTION	PART NO.	DESCRIPTION	
1	421-180	SEAT ASSEMBLY	423-180	SEAT ASSEMBLY	421-180	SEAT ASSEMBLY	423-180	SEAT ASSEMBLY	421-180	SEAT ASSEMBLY	
1	421-340	FLOAT ASSEMBLY	423-340	FLOAT ASSEMBLY	421-340	FLOAT ASSEMBLY	423-340	FLOAT ASSEMBLY	421-340	FLOAT ASSEMBLY	
1	421-20	BONNET	423-20	BONNET	421-20	BONNET	423-20	BONNET	421-20	BONNET	
1	034N	O-RING	039N	O-RING	034N	O-RING	039N	O-RING	034N	O-RING	

NO. RK12-420R			RUBBER REPAIR KIT			NO. RK1-420R			RUBBER REPAIR KIT		
QTY.	PART NO.	DESCRIPTION	PART NO.	DESCRIPTION	PART NO.	DESCRIPTION	PART NO.	DESCRIPTION	PART NO.	DESCRIPTION	
1	421-12	SEAT RING	423-12	SEAT RING	421-12	SEAT RING	423-12	SEAT RING	421-12	SEAT RING	
1	421A-34	AIR INLET DISC	423A-34	AIR INLET DISC	421A-34	AIR INLET DISC	423A-34	AIR INLET DISC	421A-34	AIR INLET DISC	
1	126N	O-RING	133N	O-RING	126N	O-RING	133N	O-RING	126N	O-RING	
1	034N	O-RING	039N	O-RING	034N	O-RING	039N	O-RING	034N	O-RING	

NO. RK12-420FK			FREEZE REPAIR KIT			NO. RK1-420FK			FREEZE REPAIR KIT		
QTY.	PART NO.	DESCRIPTION	PART NO.	DESCRIPTION	PART NO.	DESCRIPTION	PART NO.	DESCRIPTION	PART NO.	DESCRIPTION	
1	421-20	BONNET	423-20	BONNET	421-20	BONNET	423-20	BONNET	421-20	BONNET	
1	421-30	POPPET	423-30	POPPET	421-30	POPPET	423-30	POPPET	421-30	POPPET	
1	421-340	FLOAT ASSEMBLY			421-340	FLOAT ASSEMBLY			421-340	FLOAT ASSEMBLY	



### Repair Parts

ITEM NO.	DESCRIPTION	1/2"	3/4"	1"
1	CANOPY SCREW	30-11	30-11	7000-11B
2	CANOPY	421-3	421-3	423-3
3	BONNET	421-20	421-20	423-20
4	O-RING	034N	034N	039N
5	RELIEF VALVE ASSY	-	-	-
6	AIR INLET DISC	421A-34	421A-34	423A-34
7	FLOAT	-	-	-
8	SPRING RETAINER	421A-80	421A-80	423A-80
9	CHECK SPRING	421-33	421-33	423-33
10	POPPET	421-30	421-30	423-30
11	SEAL RING	421-12	421-12	423-12
12	SEAT	421-18	421-18	423-18
13	O-RING	126N	126N	133N
14	SHUT-OFF VALVE	12-850T	34-850T	1-850T
15	TEST COCK	18-860	18-860	18-860
16	FLOAT ASSEMBLY	421-340	421-340	423-340
17	SEAT ASSEMBLY	421-180	421-180	423-180