



## WILKINS

a ZURN company

### Model 720A Pressure Vacuum Breaker 1/2" to 2"

#### FEATURES

Maximum working water pressure	150 PSI
Maximum working water temperature	110°F
Hydrostatic test pressure	300 PSI
End connections threaded	ANSI B1.20.1

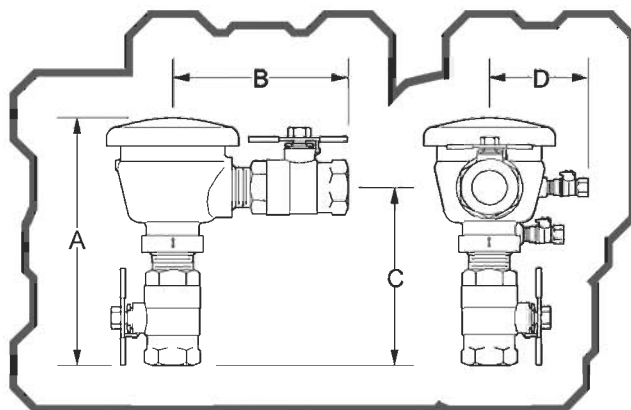
#### OPTIONS

(Suffixes can be combined)

- with full port QT ball valves (standard)
- L - less ball valves

#### ACCESSORIES

- Repair kit (complete)
- Water Hammer Arrestor (Model 1250)
- QT-SET Quick Test Fitting Set



#### DIMENSIONS & WEIGHTS

SIZE	A	B	C	D	LESS BV WITH BV	
1/2	6 7/8	3 13/16	4	3 1/2	4	6
3/4	7	4 1/8	4 1/8	3 1/2	4	6
1	7 5/8	4 1/2	4 5/8	3 1/2	4	8
1 1/4	10 13/16	7 1/4	7 1/4	4 1/2	14	20
1 1/2	10 3/8	6 7/8	6 7/8	4 1/2	14	20
2	11	7 1/2	7 5/8	4 1/2	14	26

#### STANDARDS COMPLIANCE

- ASSE® Listed 1020
- IAPMO® Listed
- CSA® Certified
- USC FCCC & HR

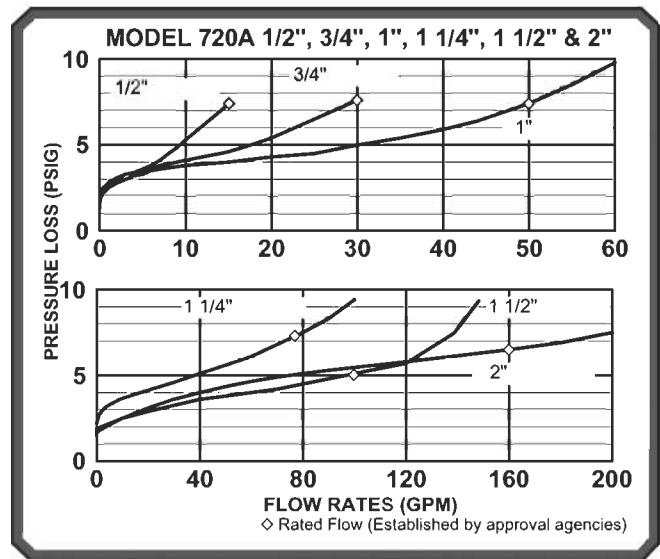
#### APPLICATION

Designed for installation on potable water lines to protect against backsiphonage of contaminated water into the potable water supply. Assembly shall provide protection where a potential health hazard exists.

#### MATERIALS

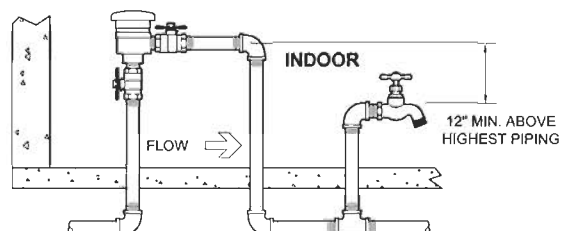
Main valve body	Cast Bronze ASTM B584
Fasteners	Stainless Steel, 300 Series
Elastomers	Silicone (FDA approved) Buna Nitrile (FDA approved)
Polymers	Polypropylene (FDA approved) Delrin® (FDA approved)
Springs	Stainless steel, 300 series

#### FLOW CURVES



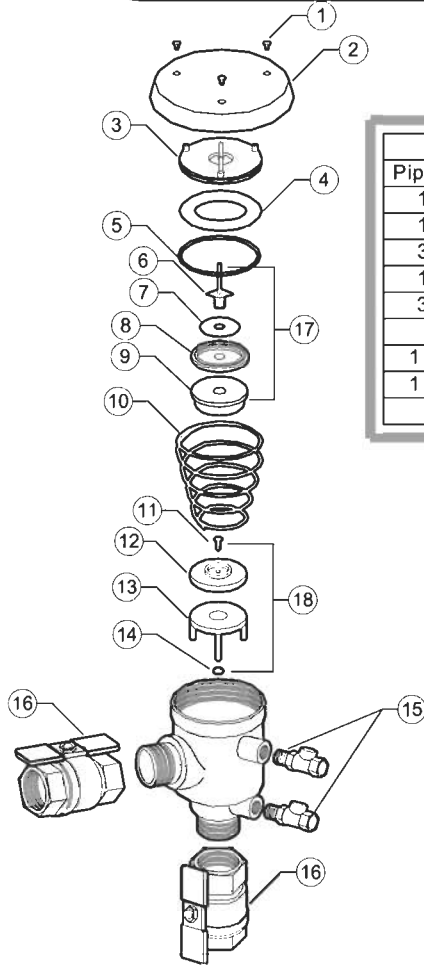
#### TYPICAL INSTALLATION

Local codes shall govern installation requirements. Unless otherwise specified, the assembly shall be mounted as shown below, so that no part of the unit may be at any time submerged. A PVB cannot be installed where backpressure could occur.

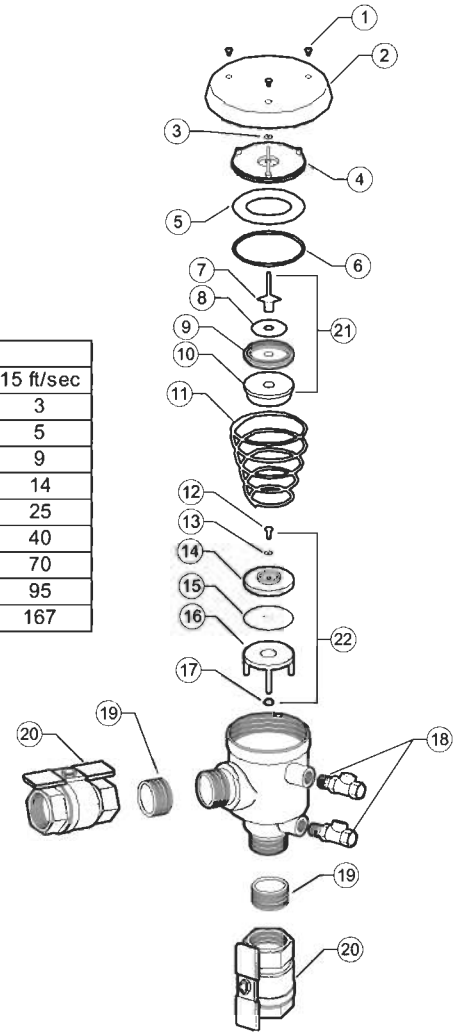


**MODEL 720A REPAIR KITS & PARTS**

REPAIR KIT RK1-720A Model 720A 1/2", 3/4" & 1"			REPAIR KIT RK2-720A Model 720A 1-1/4", 1-1/2" & 2"	
PART NO.	QTY.	DESCRIPTION	PART NO.	
721A-12	1	PLASTIC WASHER	724A-12	
138N	1	O-RING	156N	
721-33	1	SPRING	724-33	
721-300	1	POPPET ASSY.	724-300	
721-310	1	SPIDER ASSY.	724-310	



Pipe size	5 ft/sec	7.5 ft/sec	10 ft/sec	15 ft/sec
1/8"	1	1	2	3
1/4"	2	2	3	5
3/8"	3	4	6	9
1/2"	5	7	9	14
3/4"	8	12	17	25
1"	13	20	27	40
1 1/4"	23	35	47	70
1 1/2"	32	48	63	95
2"	52	78	105	167



**1/2", 3/4" & 1"**

ITEM NO.	DESCRIPTION	PART NO.
1	CANOPY SCREW	721-11
2	CANOPY	721-3
3	BONNET	721-20
4	PLASTIC WASHER	721A-12
5	O-RING	138N
6	LOAD NUT & GUIDE	721-90
7	LOAD WASHER	721-80
8	DISC UPPER	721A-34
9	POPPET	721-30
10	SPRING	721-33
11	SCREW	721-11A
12	LOWER DISC	721B-34
13	GUIDE SPIDER	721-31
14	NUT, HEX	721-9A
15	TEST COCK	18-860
	TEST COCK ASSY., OLD STYLE	721-480
16	BALL VALVE 1/2"	12-850
	BALL VALVE 3/4"	34-850
	BALL VALVE 1"	1-850
17	POPPET ASSY.	721-300
18	SPIDER ASSY.	721-310

**1-1/4", 1-1/2" & 2"**

ITEM NO.	DESCRIPTION	PART NO.
1	CANOPY SCREW	724-11
2	CANOPY	724-3
3	RETAINER RING	724-32
4	BONNET	724-20-030F
5	WASHER	724A-12
6	O-RING	156N
7	LOAD NUT & GUIDE ASSY.	724-90
8	LOAD WASHER	724-80
9	UPPER DISC	724A-34
10	POPPET	724-30
11	SPRING	724-33
12	SCREW	724-11A
13	WASHER	62-14
14	LOWER DISC	724B-34
15	WASHER	724-80A
16	GUIDE SPIDER	724-31
17	NUT	5752-9
18	TEST COCK	14-860
	TEST COCK ASSY., OLD STYLE	721-480
19	NIPPLE, 1-1/4" ONLY	104-21B
20	BALL VALVE, 1-1/4"	114-850
	BALL VALVE, 1-1/2"	112-850
	BALL VALVE, 2"	2-850
21	POPPET ASSY.	724-300
22	SPIDER ASSY.	724-310