

WILKINS

a ZURN company

Model 910 Single Check Valve 4" to 10"

APPLICATION

Designed for installation on municipal fire sprinkler lines to protect against both backsiphonage and backpressure of polluted water into the potable water line.

FEATURES

Maximum working water pressure 175 psi
Maximum working water temperature 140° F
End connections Flanged ANSI B16.2 Class 125

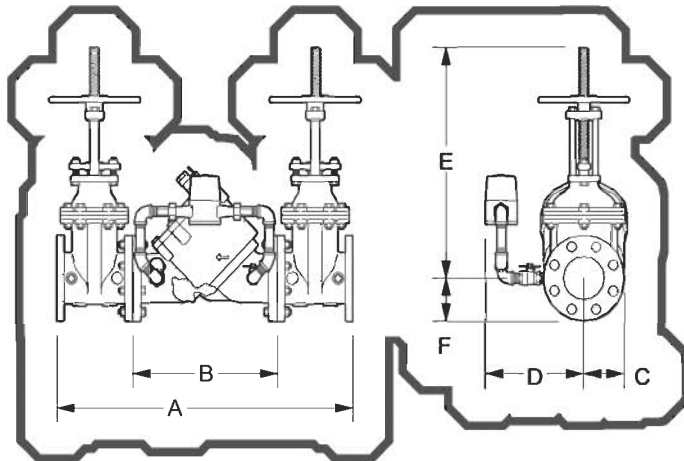
OPTIONS

- with OS&Y gate valves (standard)
- L - less gate valves
- DA - with meter by-pass line

ACCESSORIES: Repair kit (rubber only)

MATERIALS

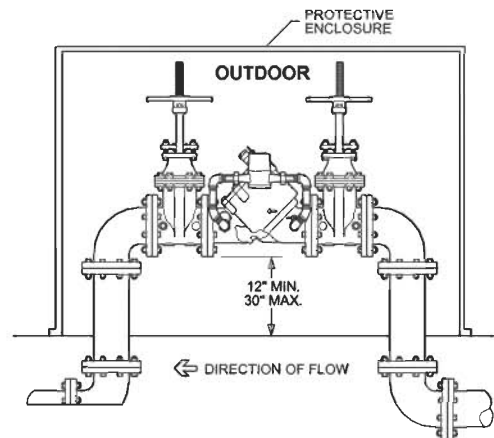
Main valve body Cast Iron ASTM A126 Class B
Access covers Cast Iron ASTM A126 Class B
Coatings FDA Approved Epoxy finish
Internals Stainless Steel, 300 Series
Cast Bronze ASTM B 584
Elastomers EPDM (FDA approved)
Buna Nitrile (FDA approved)
Springs Stainless steel, 300 series



Capacity thru Schedule 40 Pipe (GPM)				
Pipe size	5 ft/sec	7.5 ft/sec	10 ft/sec	15 ft/sec
2 1/2"	75	112	149	224
3"	115	173	230	346
4"	198	298	397	595
6"	450	675	900	1351
8"	780	1169	1559	2339
10"	1229	1843	2458	3687

TYPICAL INSTALLATION

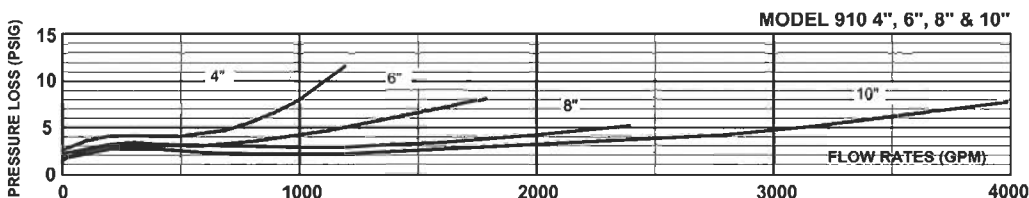
Local codes govern installation requirements. The unit should be installed as below, with enough room for testing and maintenance. The 910 may be submerged.



DIMENSIONS & WEIGHTS

SIZE	B		C	D	E		F	w/o w/GVs	
	A	w/o GVs			OS&Y OPEN	OS&Y CLOSED		w/o	w/GVs
4	34 3/16	16 1/16	5	10	22 3/4	18 1/4	5	111	301
6	41 1/2	20 3/8	6	14	30 1/8	23 3/4	6	258	558
8	47 1/8	24	7 1/2	16	37 3/4	29 1/4	7 1/2	413	889
10	55 1/8	29	9	18	45 3/4	35 3/8	9	650	1468

FLOW CURVES



MODEL 910 / 910DA - 4" to 10"

WILKINS

A ZURN™ Company

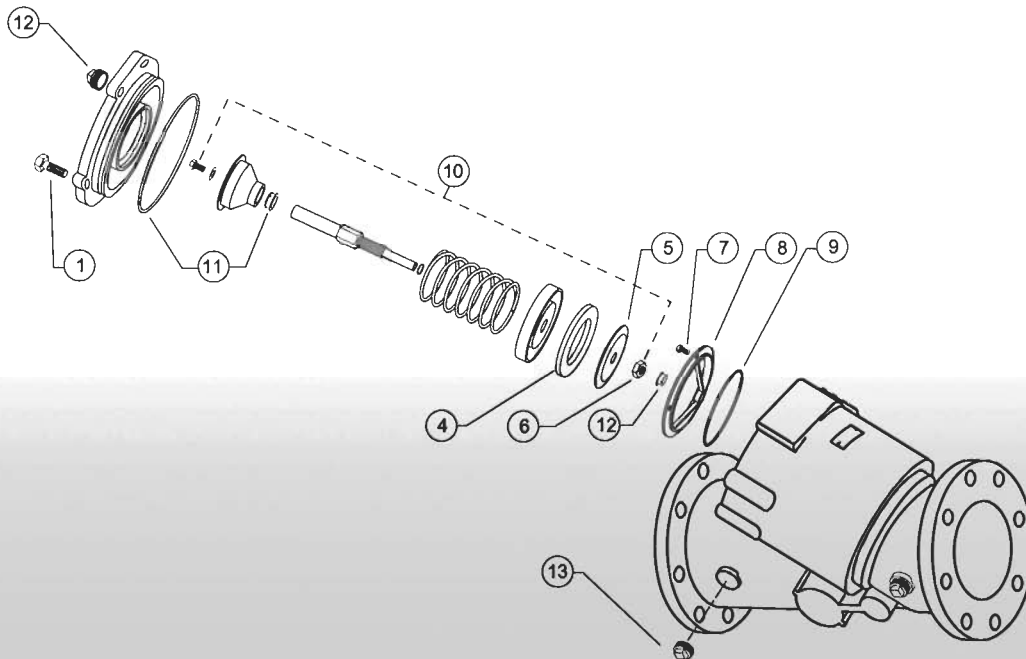
REPAIR KITS

NO. RK4-910			REPAIR KIT Model 910 4"			NO. RK8-910			REPAIR KIT Model 910 8"		
PART NO.	QTY.	DESCRIPTION	PART NO.	QTY.	DESCRIPTION	PART NO.	QTY.	DESCRIPTION	PART NO.	QTY.	DESCRIPTION
959-12	1	SEAL RING	9511-12	1	SEAL RING						
264N	1	O-RING, COVER	452N	1	O-RING, COVER						
NO. RK6-910			REPAIR KIT Model 910 6"			NO. RK10-910			REPAIR KIT Model 910 10"		
PART NO.	QTY.	DESCRIPTION	PART NO.	QTY.	DESCRIPTION	PART NO.	QTY.	DESCRIPTION	PART NO.	QTY.	DESCRIPTION
9510-12	1	SEAL RING	9512-12	1	SEAL RING						
374N	1	O-RING, COVER	457N	1	O-RING, COVER						

NOTE: Model 910 Repair Kits are used for Model 910DA Single Check Detector Assemblies.

INDIVIDUAL PARTS

ITEM NO.	DESCRIPTION	4"	6"	8"	10"
1	BOLT, COVER	959-11	9510-11	9511-11	9512-11
2	COVER	959-3C	9510-3C	9511-3C	9512-3C
3	O-RING, COVER	264N	374N	452N	457N
4	SEAL RING	959-12	9510-12	9511-12	9512-12
5	RETAINING PLATE	959-14-010F	9510-14-010F	9511-14-010F	9512-14-010F
6	NUT, STEM	959-9	9511-9	9511-9	9512-9
7	BOLT, SEAT	959-11B	959-11B	959-11B	959-11B
8	SEAT	959-18-010F	9510-18-010F	9511-18-010F	9512-18-010F
9	O-RING, SEAT	252N	366N	374N	379N
10	POPPET ASSY.	959-300	9510-300	9511-300	9512-300
11	UPPER STEM GUIDE	957-2	9510-2	9511-2A	9512-2A
12	LOWER STEM GUIDE	959-2	957-2	9511-2	9512-2
13	PLUG	558-7	5510-7	5510-7	5510-7



American Backflow Specialties

www.americanbackflow.com

(800) 66-BKFLO

(619) 527-2525

Fax: (619) 527-2527