

# MODEL 600XL

1/2", 3/4", 1"

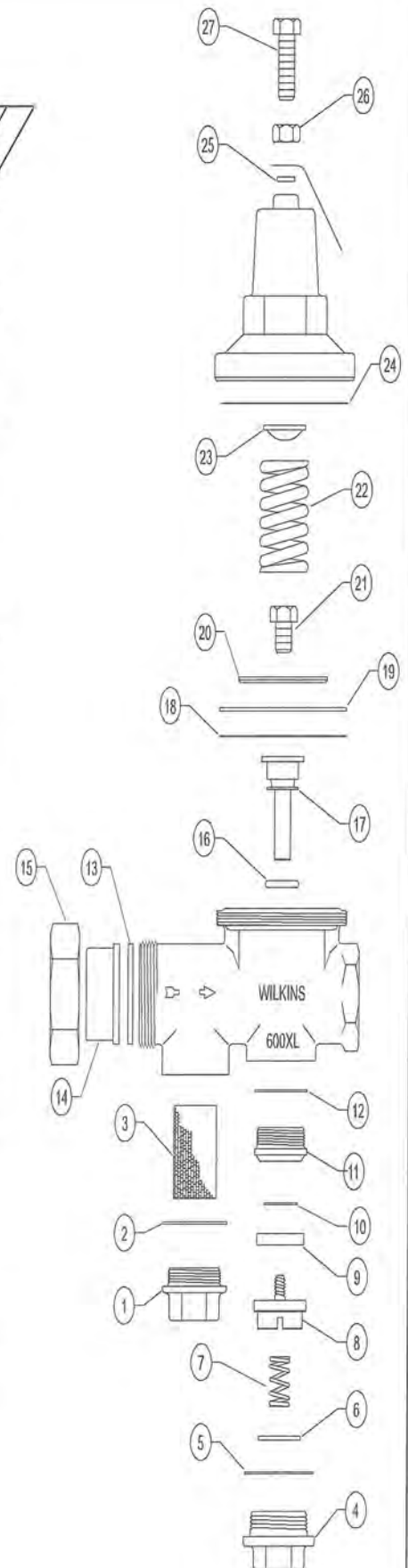
LEAD-FREE\*



● Item included in specified Model

\*This product contains a weighted average lead content less than 0.25% for wetted surfaces.

ITEM NO.	DESCRIPTION				<table border="1"> <tr> <td>600XL</td> <td>600XLLPC</td> <td>600XLLPV</td> <td>600XLLHT</td> <td>600XLLHR</td> <td>600XLLSC</td> <td>610XL</td> <td>600XLLLR</td> </tr> </table>								600XL	600XLLPC	600XLLPV	600XLLHT	600XLLHR	600XLLSC	610XL	600XLLLR		
		600XL	600XLLPC	600XLLPV	600XLLHT	600XLLHR	600XLLSC	610XL	600XLLLR													
1/2"	3/4"	1"																				
1	STRAINER CAP	601-3XL	602-3XL	501-3XL-010F	●	●	●	●	●	●	●	●	●									
2	CAP WASHER	601A-12	503A-13	501A-12	●	●	●	●	●	●	●	●	●	●	★							
3	SCREEN	601-41	602-41B	603-41	●	●	●	●	●	●	●	●	●	●	★							
4	MAIN CAP	601-3XL	602-3XL	603-3AXL-010F	●		●	●	●	●	●	●	●									
	MAIN CAP	601-3XLLP	602-3XL	603-3AXL-010F		●							●									
5	CAP WASHER	601A-12	503A-13	603A-12A	●	●	●	●	●	●	●	●	●	●	★							
6	WASHER	—	—	204-14A		●							●									
7	SPRING	602-33LPVS	602-33LPVS	602-33LPVS		●	●						●									
8	PLUNGER	601-34XL	602-34XL	603-34XL	●		●	●	●													
	PLUNGER	601-34XLLP	602-34XLLP	603-34XLLP		●	●						●									
	PLUNGER	611-34XL, 604C-12, 602B-11	612-34XL, 604C-12, 602B-11	613-34XL, 604C-12, 602B-11									●									
9	SEAT WASHER	601-12A	502-12	603-12A	●	●	●	●	●	●	●	●	●	●	★							
10	WASHER	601-14	502-14	62-14	●	●	●	●	●	●	●	●	●	●	★							
11	SEAT	601-18	602-18	603-18	●	●	●	●	●	●	●	●	●	●								
12	SEAT GASKET	501A-13	502A-13	603A-13	●	●	●	●	●	●	●	●	●	●								
13	UNION GASKET	601-13	62-13	63-13	●	●	●	●	●	●	●	●	●	●								
14	TAILPIECE NPT (FEMALE)	601-19XL	602-19XL	63-19	●	●	●	●	●	●	●	●	●	●								
	TAILPIECE NPT (MALE)	—	602M-19XL	63M-19XL	●	●	●	●	●	●	●	●	●	●								
	TAILPIECE COPPER (FEMALE)	601C-19	602C-19	63C-19	●	●	●	●	●	●	●	●	●	●								
	TAILPIECE COPPER (MALE)	—	602CM-19XL	63CM-19XL	●	●	●	●	●	●	●	●	●	●								
15	UNION NUT	601-9-010F	62-9-010F	63-9-010F	●	●	●	●	●	●	●	●	●	●								
16	O-RING	011N	WK-111N	113N	●								●		★							
	O-RING	011N	113N	113N		●	●						●		★							
17	STEM	601-5XL	602-5XL	603-5XL	●								●		★							
	STEM	601-5XL	602-5XLLP	603-5XL		●							●		★							
18	TEFLON DIAPHRAGM	62-43HT	62-43HT	503-43HT				●							★							
19	DIAPHRAGM	501-43	501-43	503-43	●	●	●	●	●	●	●	●	●	●	★							
	DIAPHRAGM	511-43	511-43	513-43									●		★							
20	DIAPHRAGM DISC	602-80	602-80	603-80	●	●	●	●	●	●	●	●	●	●	★							
21	BOLT / NUT	501B-9	501B-9	503-11	●								●		★							
	BOLT / NUT	501B-9	503-11	503-11		●	●						●		★							
22	SPRING	62-33	62-33	603-33	●	●	●	●	●	●	●	●	●	●	★							
	SPRING	601-33HR	601-33HR	503-33HR								●	●		★							
23	SPRING DISC	602A-80	602A-80	602A-80	●	●	●	●	●	●	●	●	●	●	★							
24	FRICTION RING	602B-12	602B-12	603B-12	●	●	●	●	●	●	●	●	●	●	★							
25	WASHER	606C-12	606C-12	606C-12									●									
26	LOCKNUT	501B-9	501B-9	501B-9	●	●	●	●	●	●	●	●	●	●	★							
	LOCKNUT SS	501B-9SS	501B-9SS	501B-9SS									●									
27	ADJUSTMENT BOLT	602A-11A	602A-11A	602A-11A	●	●	●	●	●	●	●	●	●	●								
	ADJUSTMENT BOLT	602A-11A	602A-11A	603A-11AHR									●	●								
	ADJUSTMENT BOLT SS	602A-11ASS	602A-11ASS	602A-11ASS									●									



★ REPAIR KIT ITEMS (ALL ★ ITEMS IN KIT)

# MODEL 600XL

1-1/4", 1-1/2", 2"

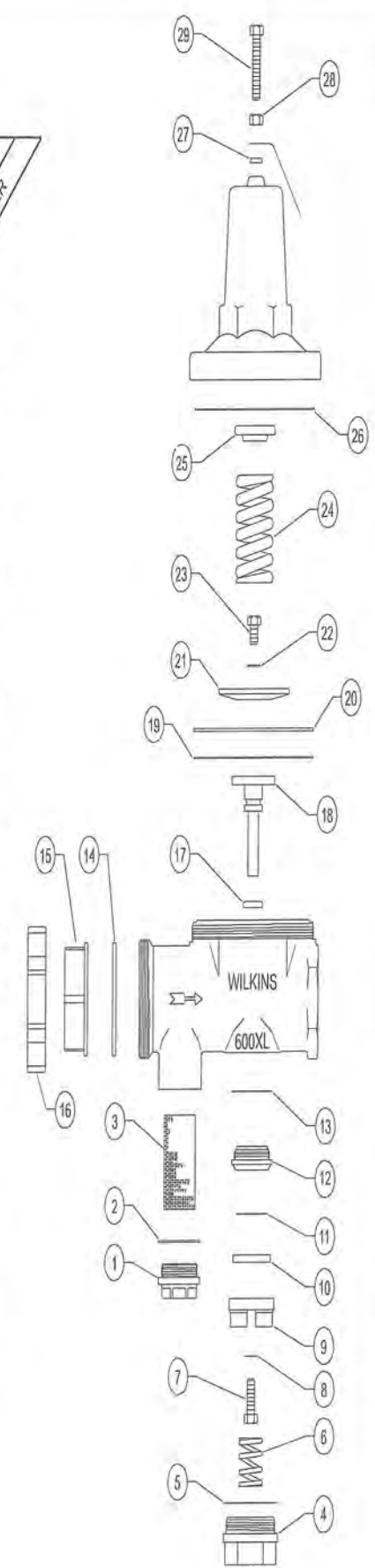
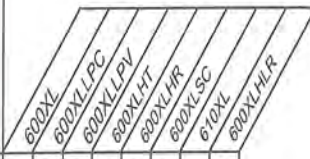
LEAD-FREE\*



\*This product contains a weighted average lead content less than 0.25% for wetted surfaces.

ITEM NO.	DESCRIPTION	1-1/4"	1-1/2"	2"	Model							★		
					600XL	600XL LPC	600XL PV	600XL HT	600XL LR	610XL SC	600XL HR			
1	STRAINER CAP	603-3AXL-010F	605A-3AXL-010F	606A-3XL-010F	●	●	●	●	●	●	●	●		
2	GASKET	603A-12A	603A-12A	604A-12	●	●	●	●	●	●	●	●	●	★
3	SCREEN	603-41	505-41	606-41	●	●	●	●	●	●	●	●	●	★
4	MAIN CAP	604-3XL-010F	604-3XL-010F	606-3XL-010F	●	●	●	●	●	●	●	●	●	
5	GASKET	604A-12	604A-12	606A-12	●	●	●	●	●	●	●	●	●	★
6	SPRING	604-33LPVS	605-33LPVS	606-33LPVS		●	●					●		
7	BOLT	604B-11	606B-11	606B-11	●	●	●	●	●	●	●	●	●	
8	WASHER	604C-12	606C-12	606C-12	●	●	●	●	●	●	●	●	●	★
9	PLUNGER	604-34XL	605-34XL-010F	606-34XL-010F	●	●	●	●	●	●	●	●	●	
10	SEAT WASHER	604-12	605-12	506-12	●	●	●	●	●	●	●	●	●	★
11	WASHER	504-14	505-14	606-14	●	●	●	●	●	●	●	●	●	★
12	SEAT	604-18	605-18	606-18	●	●	●	●	●	●	●	●	●	
13	SEAT GASKET	504A-13	505A-13	506A-13	●	●	●	●	●	●	●	●	●	
14	UNION GASKET	604-13	605-13	606-13	●	●	●	●	●	●	●	●	●	★
15	TAILPIECE NPT (FEMALE)	604-19XL-010F	605-19XL-010F	606-19XL-010F	●	●	●	●	●	●	●	●	●	
	TAILPIECE COPPER (FEMALE)	604C-19	605C-19	606C-19	●	●	●	●	●	●	●	●	●	
16	UNION NUT	604-9-010F	605-9-010F	606-9-010F	●	●	●	●	●	●	●	●	●	
17	O-RING	110N	115N	115N	●	●	●	●	●	●	●	●	●	★
18	STEM	604-5XL	606-5XL-010F	606-5XL-010F	●	●	●	●	●	●	●	●	●	★
19	TEFLON DIAPHRAGM	504-43HT	505-43HT	606-43HT		●	●							★
20	DIAPHRAGM	504-43	505-43	606-43	●	●	●	●	●	●	●	●	●	★
	DIAPHRAGM	514-43	515-43	606-43								●		★
21	DIAPHRAGM DISC	604-80	505-80BR	505-80BR	●	●	●	●	●	●	●	●	●	★
22	WASHER	—	605A-14	—	●	●	●	●	●	●	●	●	●	★
23	BOLT	503-11	505-11	505-11	●	●	●	●	●	●	●	●	●	★
24	SPRING	604-33	605-33B	606-33	●	●	●	●	●					★
	SPRING	1005-33	605-33HR	606-33HR					●	●	●			★
25	SPRING DISC	602A-80	505A-80	505A-80	●	●	●	●	●	●	●	●	●	
	SPRING DISC	604A-80	505A-80	507A-80					●	●	●			
26	FRICION RING	604B-12	505B-12	—	●	●	●	●	●	●	●	●	●	★
27	WASHER	606C-12	508C-12	508C-12								●		
28	LOCKNUT	501B-9	505B-9A	505B-9A	●	●	●	●	●	●	●	●	●	
	LOCKNUT SS	501B-9SS	505B-9SS	505B-9ASS								●		
29	ADJUSTMENT BOLT	62A-11	605A-11A	605A-11A	●	●	●	●	●	●	●	●	●	
	ADJUSTMENT BOLT SS	62A-11SS	605A-11ASS	605A-11ASS								●		

● Item included in specified Model



★ REPAIR KIT ITEMS (ALL ★ ITEMS IN KIT)