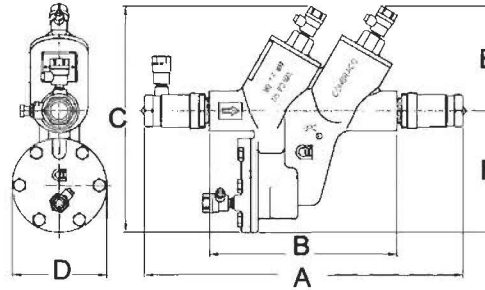
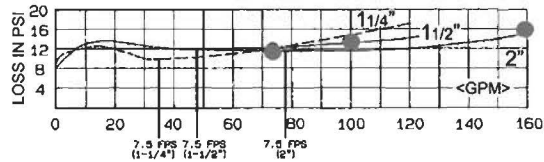
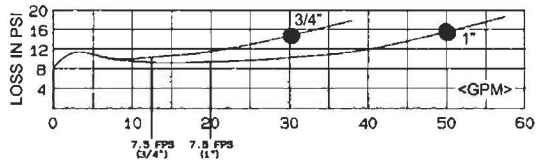
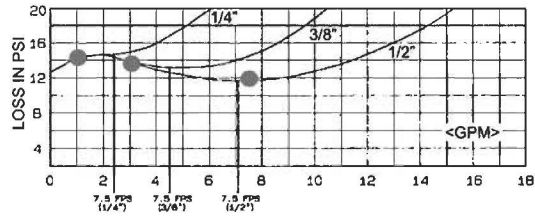


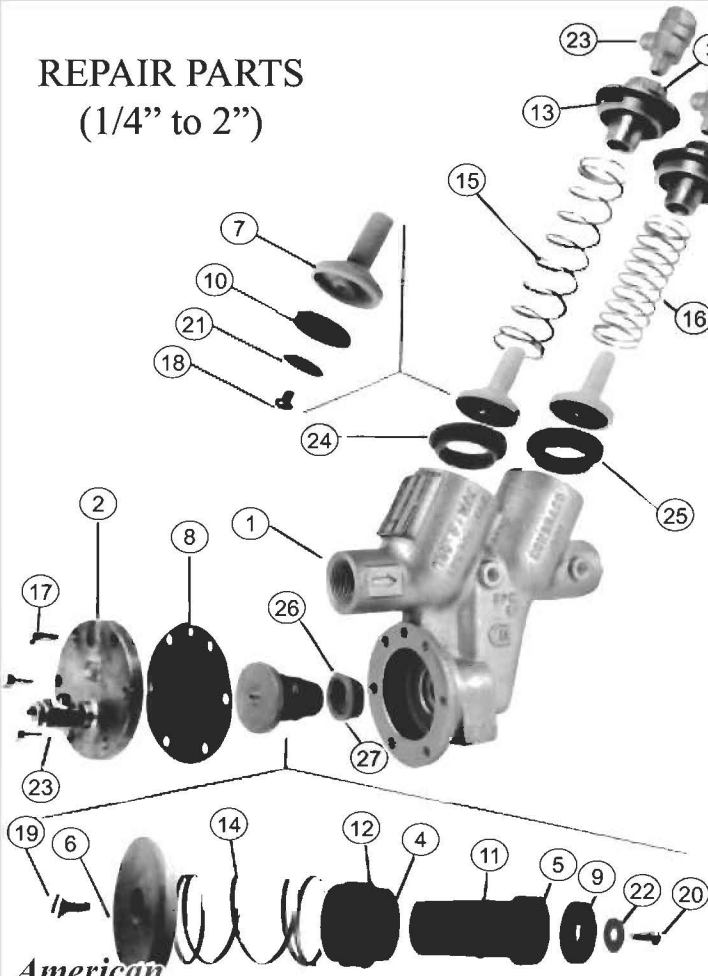
FLOW CURVES



DIMENSIONS & WEIGHTS

Dimensions (in.) – Weights (lbs.)	1/4"	3/8"	1/2"	3/4"	1"	1-1/4"	1-1/2"	2"
Body Size								
A	10-3/16	10-1/4	10-3/4	13-3/4	15-3/8	17-1/2	19-1/2	21-1/2
B (w/o Ball Valves)	5-3/4	5-3/4	5-3/4	8	8	11	11	11
C	6-7/8	6-7/8	6-7/8	9-3/4	9-3/4	12-5/8	12-5/8	12-5/8
D	2-5/8	2-5/8	2-5/8	4-1/16	4-1/16	5-3/8	5-3/8	5-3/8
E	3-1/8	3-1/8	3-1/8	4-1/2	4-1/2	5-11/16	5-11/16	5-11/16
F	3-3/4	3-3/4	3-3/4	5-1/8	5-1/8	7-1/8	7-1/8	7-1/8
Test Cocks	1/8x1/4NPT	1/8x1/4NPT	1/8x1/4NPT	1/8x1/4NPT	1/8x1/4NPT	1/4x1/4NPT	1/4x1/4NPT	1/4x1/4NPT
Net Wt. (w/o Ball Valves)	5.7	5.7	5.1	11-1/2	11	30-1/2	27-1/2	27
Net Wt. (w/ Ball Valves)	7	7	7.4	14	14-1/2	35-1/2	37	39-1/2
Shpg. Wt. (w/o Ball Valves)	6.6	6.6	6	12-1/2	12	32-1/2	29	29
Shpg. Wt. (w/ Ball Valves)	7.9	7.9	8.3	15	15-1/2	38	39	41

REPAIR PARTS (1/4" to 2")



ITEM	DESCRIPTION	QUANTITY	PART NO.		
REPAIR KITS	Major Repair Kit	1/4", 3/8", 1/2"	3/4" & 1"	1 1/4", 1 1/2", 2"	
	4, 5, 6, 7 (2), 8, 9, 10 (2), 11, 12, 13 (2), 14, 18 (2), 19, 20, 21 (2), 22, 24 (2), 25 (2), 26, 27	40-003-A1	40-004-A1	40-007-A1	
	Check Valve Repair Kit	7, 10, 13, 18, 21, 24, 25	40-003-A2	40-004-A2	40-007-A2
	Relief Valve Repair Kit	4, 5, 6, 8, 9, 11, 12, 14, 19, 20, 22, 26, 27	40-003-A3	40-004-A3	40-007-A3
	Rubber Repair Kit	8, 9, 10 (2), 11, 12, 13 (2), 25 (2), 27	40-003-A4	40-004-A4	40-007-A4
	Replaceable Seat Kit	24 (2), 25 (2), 26, 27	40-003-A7	40-004-A7	40-007-A7

PARTS

ITEM	DESCRIPTION	QUANTITY	PART NO.		
1	Body	1	Consult	Consult	Consult
2	R.V. Cover	1	Factory	Factory	Factory
3	Cap	2	F-3017	F-2982	F-2985
4	R.V. Bushing	1	F-3231	F-3108	F-3115
5	R.V. Stem	1	I-4507	I-4240	I-4257
6	Diaphragm Plate	1	G-3296	G-3212	G-3213
7	Poppet	1	E-2222	D-2506	D-2516
8	R.V. Diaphragm	2	K-3409	K-3362	K-3367
9	R.V. Seat Disc	1	D-2632	D-2505	D-2515
10	Check Seat Disc	1	D-2631	D-2829	D-2514
11	Stem O-Ring	2	D-2630	D-2503	D-2508
12	Bushing O-Ring	1	D-2628	D-2502	D-2513
13	Check Cap O-Ring	1	D-2629	D-2501	D-2512
14	R.V. Spring	2	D-2046	D-2500	D-2510
15	1st Check Spring	1	A-1795	A-1698	A-1702
16	2nd Check Spring	1	A-1797	A-1699	A-1703
17	Hex Head Bolt	6(4) (**7)	A-1794	A-1700	A-1701
18	Screw	2	B-1793	B-1751	B-1754
19	Screw	1	B-1837	B-1750	B-1750
20	Screw	1	B-1749	B-1749	B-1753
21	Retaining Washer	2	B-1837	B-1748	B-1753
22	Retaining Washer	1	E-2223	D-2499	D-2509
23	Test Cock	2	E-2224	D-2498	D-2499
24	Check Seat	3	78-257-01	78-257-01	78-258-01
25	Check O-Ring	2	L-5152	L-4864	L-4866
26	R.V. Seat	1	D-3086	D-2274	D-2565
27	R.V. O-Ring	1	L-5153	L-4863	L-4867

Accessories

Air Gap Drain	40-200-XA	40-200-X1	40-200-X1
Reduced Pressure Backflow Preventer Test Kit	40-200-TRKC (All Sizes)		

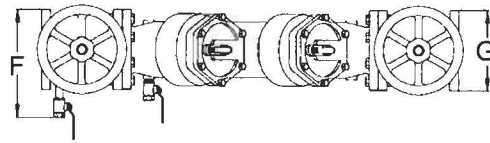
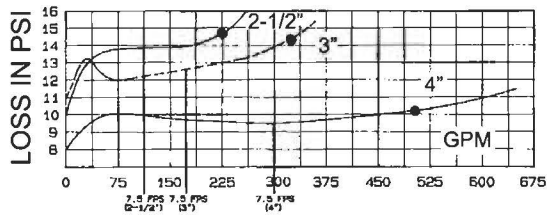
* 1/4", 3/8" & 1/2" SIZES ONLY ** 1-1/4", 1-1/2" & 2" SIZES ONLY

American Backflow

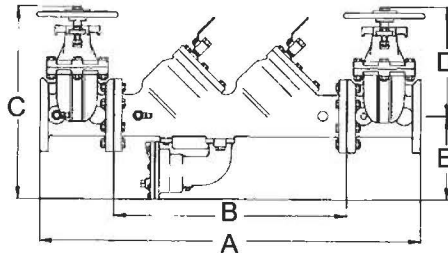
Specialties www.americanbackflow.com

(800) 66-BKFLO (619) 527-2525 Fax: (619) 527-2527

FLOW CURVES



DIMENSIONS & WEIGHTS



Dimensions (in.) – Weights (lbs.)			
Body Size	2-1/2"	3"	4"
A	37-1/16	38-1/16	46-3/4
B	22-1/16	22-1/16	28-1/2
C NRS	20-7/8	21-7/8	25-3/16
C OS&Y (OPEN)	25-7/8	28-3/8	33-3/16
D NRS	11-3/8	12-3/8	14-3/4
D OS&Y (OPEN)	16-3/8	18-7/8	22-3/4
E	9-1/2	9-1/2	10-7/16
F	9-5/8	10-3/8	11-7/8
G	7	7-1/2	9
Test Cocks	1/2 x 1/2 NPT	1/2 x 1/2 NPT	1/2 x 1/2 NPT
Net Wt. (Less Gate Valves)	120	122	196
Net Wt. (With NRS Valves)	219	252	388
Net Wt. (With OS&Y Valves)	229	259	402
Net Wt. (With Ball Valves)	188	198	312
Shpg. Wt. (Less gate Valves)	184	186	260
Shpg. Wt. (With NRS Valves)	283	316	452
Shpg. Wt. (With OS&Y Valves)	293	323	466
Shpg. Wt. (With Ball Valves)	252	262	376

REPAIR KITS (2-1/2" to 4")

Repair Kits

Kit	2-1/2", 3"	4"
1st Check Valve Repair Kit	2-1/2", 3"	4"
12, 13, 14, 15, 16, 17, 18, 20, 21, 22	40-009-01	40-00A-01
2nd Check Valve Repair Kit		
12, 13, 14, 15, 16, 17, 19, 20, 21, 22	40-009-02	40-00A-02
Seat Repair Kit		
10, 11, 22	40-009-03	40-00A-03

Rubber Repair Kit

10, 13, 16, 22	40-009-04	40-00A-04
----------------	-----------	-----------

Relief Valve Repair Kit

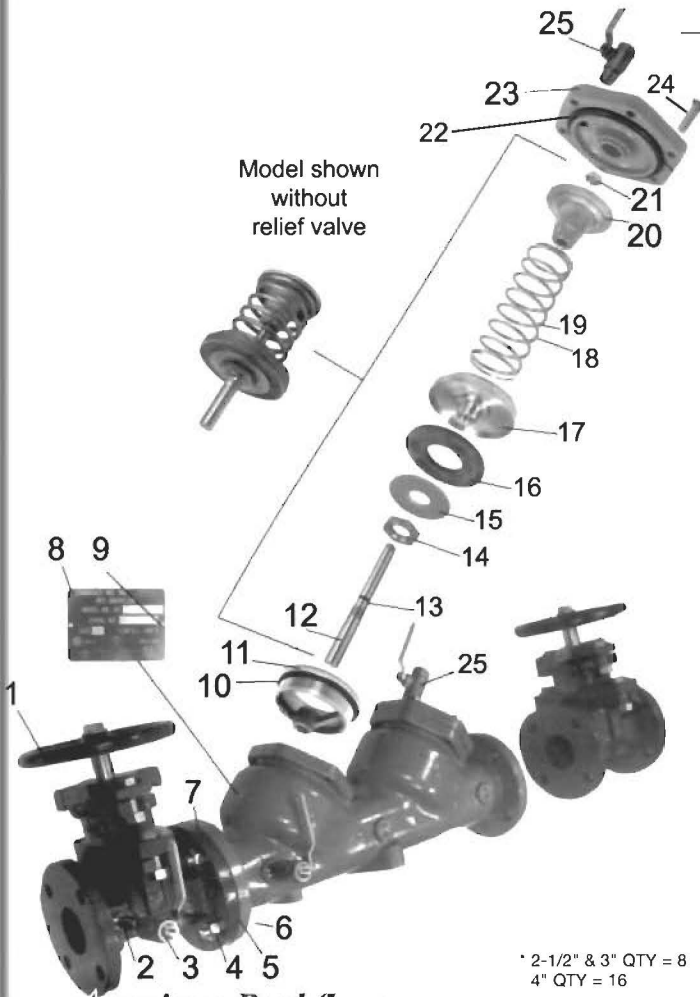
29, 30, 31, 33, 34, 38, 39, 40, 41, 42, 43, 44, 45, 46, (47, 48)*	40-009-05	40-00A-05
---	-----------	-----------

Relief Valve Rubber Repair Kit

29, 31, 33, 34, 40, 42, 43, (47)*	40-009-06	40-00A-06
-----------------------------------	-----------	-----------

*8" & 10" Only

ITEM	DESCRIPTION	QUANTITY	2-1/2"	3"	4"
1	Shut-Off Valve (OS&Y)	2	W-6789-00	W-6790-00	W-6824-00
1	Shut-Off Valve (NRS)	2	W-6785-00	W-6786-00	W-6743-00
2	Brass Nipple	1	K-3406-00	K-3406-00	K-3406-00
3	Test Cock	1	70-103-01	70-103-01	70-103-01
4	Flange Nut	*	C-1691-00	C-1691-00	C-1691-00
5	Ring Gasket	2	D-2583-00	D-2584-00	D-2582-00
6	Flange Bolt	*	B-1804-00	B-1804-00	B-1828-00
7	Body	1	Q-4528-19	Q-4529-19	Q-4532-19
8	Nameplate	1	I-4406-00	I-4406-00	I-4406-00
9	Drive Screw	2	I-2613-00	I-2613-00	I-2613-00
10	C.V. Seat O-Ring	2	D-2567-00	D-2567-00	D-2573-00
11	C.V. Seat	2	L-4637-05	L-4637-05	L-4640-05
12	C.V. Stem	2	G-3239-06	G-3239-06	G-3242-06
13	C.V. Stem O-Ring	2	D-2561-00	D-2561-00	D-2561-00
14	Retainer Nut	2	C-1756-00	C-1756-00	C-1756-00
15	Retainer Washer	2	E-2199-00	E-2199-00	E-2204-00
16	C.V. Seat Disc	2	D-2560-00	D-2560-00	D-2572-00
17	Seat Disc Holder	2	F-3000-05	F-3000-05	F-3001-05
18	1st Check Spring	1	A-1740-00	A-1740-00	A-1743-00
19	2nd Check Spring	1	A-1741-00	A-1741-00	A-1744-00
20	Spring Retainer	2	E-2198-05	E-2198-05	E-2202-05
21	Jam Nut	2	C-1589-05	C-1589-05	C-1589-05
22	Cap O-Ring	2	D-2566-00	D-2566-00	D-2574-00
23	C.V. Cap	2	Q-4530-19	Q-4530-19	Q-4533-19
24	Cap Bolt	12	B-1797-00	B-1797-00	B-1801-00
25	Test Cock	3	70-803-01	70-803-01	70-803-01



* 2-1/2" & 3" QTY = 8
4" QTY = 16

American Backflow
Specialties

www.americanbackflow.com

(800) 66-BKFLO

(619) 527-2525

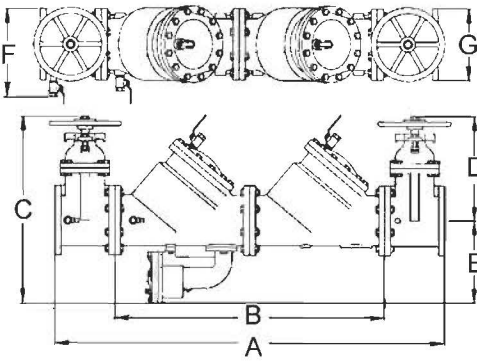
Fax: (619) 527-2527

Repair Parts

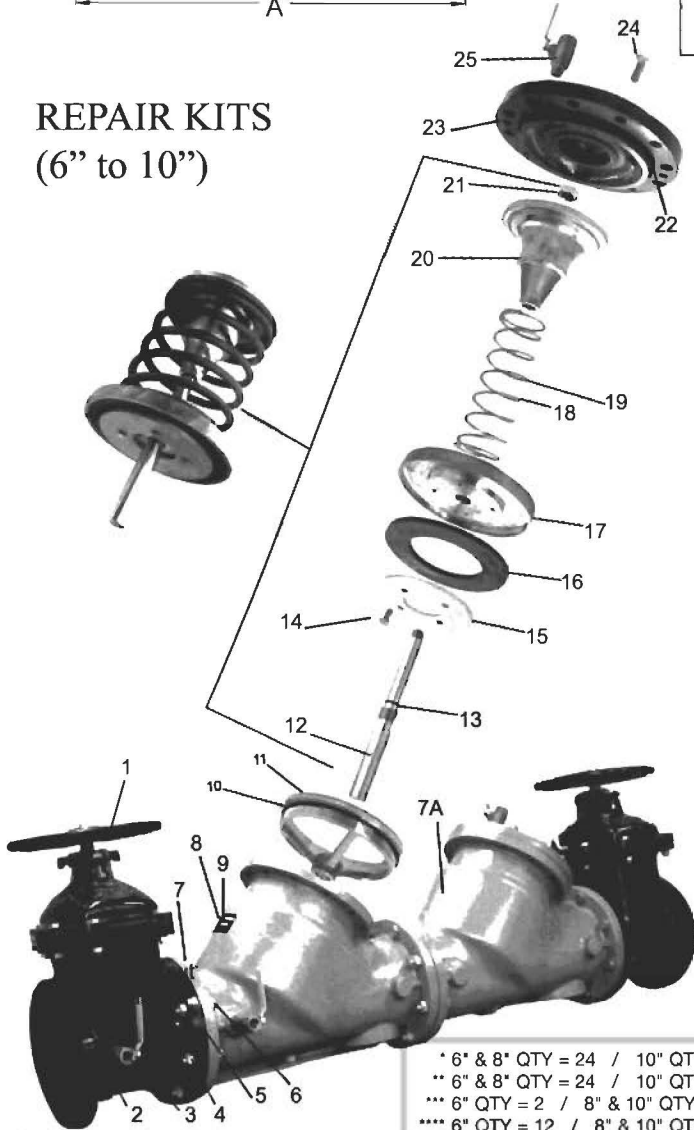
MODEL 40-200 (6" to 10")

DIMENSIONS & WEIGHTS

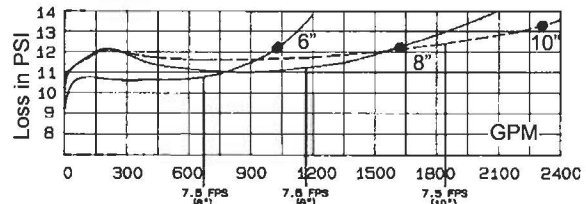
Dimensions (in.) – Weights (lbs.)			
Body Size	6"	8"	10"
A	63	75	88-1/4
B	42	52	62-1/16
C NRS	30-1/2	38-1/2	44
C OS&Y (OPEN)	41-5/8	53-3/4	63-1/4
D NRS	19	22-1/2	26-1/2
D OS&Y (OPEN)	30-1/8	37-3/4	45-3/4
E	11-1/2	16	17-1/2
F	14-5/8	16-3/4	19-1/4
G	11	13-1/2	16
Test Cocks	3/4 x 3/4 NPT	3/4 x 3/4 NPT	3/4 x 3/4 NPT
Net Wt. (Less Gate Valves)	430	715	1443
Net Wt. (With NRS Valves)	736	1155	2148
Net Wt. (With OS&Y Valves)	754	1210	2286
Net Wt. (With Ball Valves)	666	N/A	N/A
Shpg. Wt. (Less gate Valves)	528	885	1613
Shpg. Wt. (With NRS Valves)	872	1335	2364
Shpg. Wt. (With OS&Y Valves)	890	1390	2502
Shpg. Wt. (With Ball Valves)	836	N/A	N/A



REPAIR KITS (6" to 10")



FLOW CURVES



REPAIR PARTS

ITEM	DESCRIPTION	QTY	6"	8"	10"
1	(OS&Y) Shut-Off	2	W-6825-00	W-6826-00	W-6859-00
1	(NRS) Shut-Off	2	W-6744-00	W-6827-00	W-6858-00
2	Brass Nipple	1	K-3412-40	K-3412-00	K-3412-00
3	Test Cock	1	70-104-01	70-104-01	70-104-01
4	Flange Nut	*	C-1759-00	C-1759-00	C-1793-00
5	Ring Gasket	3	D-2579-00	D-2590-00	D-2653-00
6	Flange Bolt	**	B-1829-00	B-1857-00	B-1858-00
6A	Stud	2	N/A	N/A	B-2036-00
7	Body	1	Q-4538-19	Q-4543-19	Q-4572-19
7A	Body	1	Q-4591-19	Q-4593-19	Q-4595-19
8	Nameplate	1	I-4406-00	I-4406-00	I-4406-00
9	Drive Screw	2	I-2613-00	I-2613-00	I-2613-00
10	C.V. Seat O-Ring	2	D-2567-00	D-2589-00	D-2588-00
11	C.V. Seat	2	L-4644-05	L-4653-05	L-4759-05
12	C.V. Stem	2	G-3246-00	G-3273-00	G-3305-00
13	C.V. Stem O-Ring	2	D-2578-00	D-2587-00	D-2587-00
14	Retainer Nut/Bolt	***	C-1760-00	C-1754-00	C-1754-00
15	Retainer Washer	2	E-2205-00	E-2208-00	E-2229-00
16	C.V. Seat Disc	2	D-2575-00	D-2586-00	D-2649-00
17	Seat Disc Holder	2	F-3002-05	F-3008-05	F-3019-05
18	1st Check Spring	1	A-1745-00	A-1747-00	A-1778-00
19	2nd Check Spring	1	A-1746-00	A-1748-00	A-1779-00
20	Spring Retainer	2	E-2203-05	E-2207-05	E-2228-05
21	Jam Nut	2	C-1706-00	*C-1763-05	*C-1763-05
22	Cap O-Ring	2	D-2577-00	D-2588-00	D-2651-00
23	C.V. Cap	2	Q-4537-19	Q-4545-19	Q-4574-19
24	Cap Bolt	****	B-1800-00	B-1690-00	B-1881-00
25	Test Cock	3	70-804-01	70-804-01	70-804-01
	Seat Bolt	12	N/A	N/A	B-1849-00

* 6" & 8" QTY = 24 / 10" QTY = 38
 ** 6" & 8" QTY = 24 / 10" QTY = 34
 *** 6" QTY = 2 / 8" & 10" QTY = 8
 **** 6" QTY = 12 / 8" & 10" QTY = 24

	6"	8"	10"	
1st Check Valve Repair Kit				
12, 13, 14, 15, 16, 17, 18, 20, 21, 22	40-00C-01	40-00E-01	40-00G-01	
2nd Check Valve Repair Kit				
12, 13, 14, 15, 16, 17, 19, 20, 21, 22	40-00C-02	40-00E-02	40-00G-02	
Seat Repair Kit	10, 11, 22	40-00C-03	40-00E-03	40-00G-03
Rubber Repair Kit	10, 13, 16, 22	40-00C-04	40-00E-04	40-00G-04
Relief Valve Repair Kit				
29, 30, 31, 33, 34, 38, 39, 40, 41, 42, 43, 44, 45, 46, (47, 48)*	40-00C-05	40-00E-05	40-00G-05	
Relief Valve Rubber Repair Kit				
29, 31, 33, 34, 40, 42, 43, (47)*	40-00C-06	40-00E-06	40-00G-06	
*8" & 10" Only				

Repair Kits

Model 40-200 Relief Valve

Relief Valve Repair Kit

29, 30, 31, 33, 34, 38, 39, 40, 41, 42, 43, 44, 45, 46, (47, 48)*

2-1/2", 3"

4"

6"

8"

10"

40-009-05

40-00A-05

40-00C-05

40-00E-05

40-00G-05

Relief Valve Rubber Repair Kit

29, 31, 33, 34, 40, 42, 43, (47)*

40-009-06

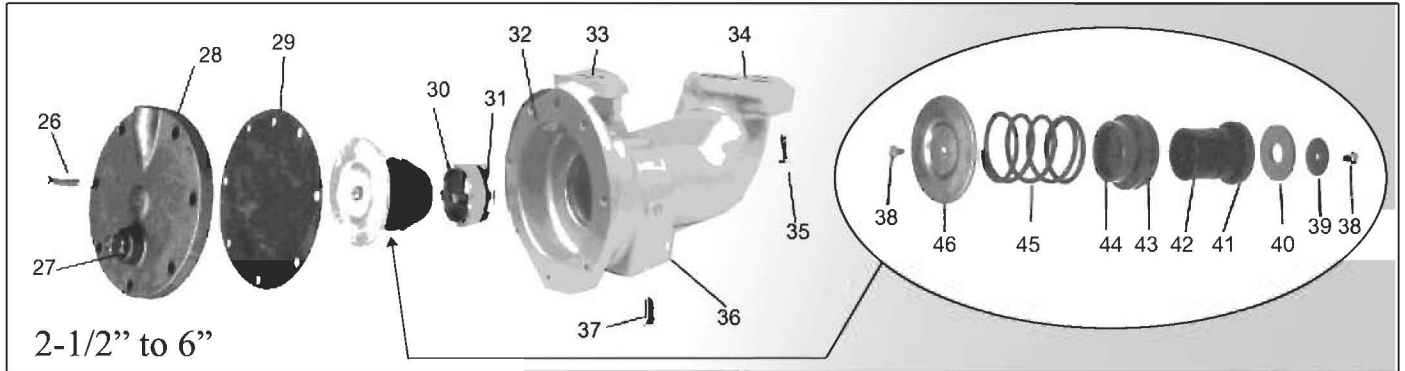
40-00A-06

40-00C-06

40-00E-06

40-00G-06

*8" & 10" Only



Relief Valve Parts

ITEM	DESCRIPTION	QTY	PART NO.	
			2-1/2" - 6"	8", 10"
26	Relief Valve Cover Bolt	7	B-1796-00	7 B-1703-00
27	1/2 NPT Plug	1	K-3008-00	N/A N/A
27	3/4 NPT Plug	N/A	N/A	1 K-3010-00
28	Relief Valve Cover	1	Q-4531-05	1 Q-4542-19
29	Relief Valve Diaphragm	1	D-2564-00	1 D-2591-00
30	Relief Valve Seat Ring	1	L-4638-05	1 L-4651-05
31	Relief Valve Seat Ring O-Ring	1	D-2568-00	1 D-2593-00
32	Relief Valve Body	1	Q-4535-05	1 Q-4541-19
33	Small Relief Valve O-Ring	1	D-2570-00	1 D-2186-00
34	Large Relief Valve O-Ring	1	D-2571-00	1 D-2304-00
35	Relief Valve Flange Bolt	2	B-1800-00	4 B-1669-00
36	1/4 NPT Plug	1	K-3019-00	1 K-3019-00
37	Relief Valve Flange Bolt	2	B-1792-00	2 B-1669-00
38	Pan Head Screw	2	B-1753-00	1 B-1856-00
39	Relief Valve Seat Washer	1	E-2200-00	1 E-2210-00
40	Relief Valve Seat Disc	1	D-2563-00	1 D-2595-00
41	Relief Valve Stem	1	G-3240-00	1 G-3274-05
42	Relief Valve Stem O-Ring	1	D-2565-00	1 D-2594-00
43	Relief Valve Bushing O-Ring	1	D-2565-00	1 D-2592-00
44	Relief Valve Bushing	1	L-4639-15	1 L-4652-15
45	Relief Valve Spring	1	A-1742-00	1 A-1749-00
46	Diaphragm Plate	1	E-2201-00	2 E-2209-05
47	Stem Face O-Ring	N/A	N/A	1 D-2106-00
48	Diaphragm Bolt	N/A	N/A	1 B-1800-00

