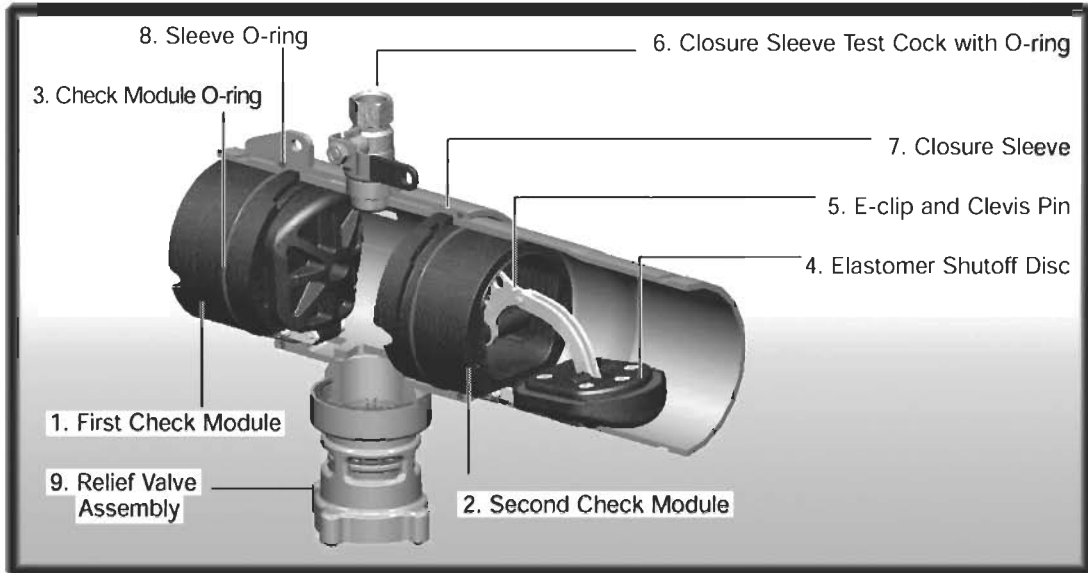
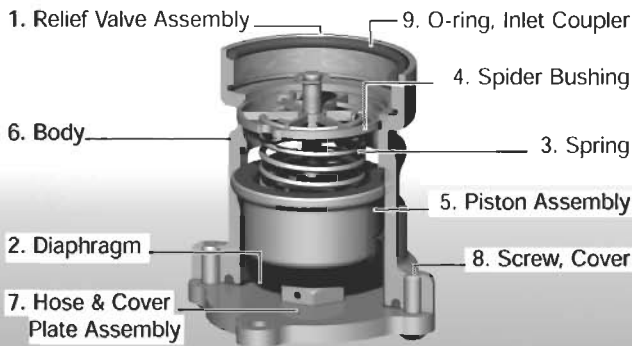


Replacement Parts - Maxim 400 & 500 Models



ITEM NO.	PART DESCRIPTION	2 1/2"	3"	4"	6"	8"	10"
1	FIRST CHECK MODULE	7018112	7018112	7018115	7018118	7018401	7018401
2	SECOND CHECK MODULE (a)	7018120	7018120	7018121	7018398	7018402	7018402
3	CHECK MODULE O-RING	7017861	7017861	7017910	7013301	7018352	7018352
4	ELASTOMER SHUTOFF DISC	7017855	7017855	7017903	7017928	7018348	7018348
5	GROOVED CLEVIS PIN KIT (CONTAINS: "E" CLIP & CLEVIS PIN) 5 PER PACK	7018126	7018126	7018127	7018127	7018412	7018412
6	CLOSURE SLEEVE TEST-COCK WITH O-RING	7018152	7018152	7018152	7018152	7018153	7018153
7	CLOSURE SLEEVE	7017881	7017881	7017883	7017885	7017887	7017887
8	SLEEVE O-RING or GASKET (2REQ'D)	7017896	7017896	7017921	7017944	7018339	7018339
9	RELIEF VALVE ASSEMBLY	7018107	7018107	7018107	7018107	7018107	7018107
NS	CHECK REPAIR KIT (CONTAINS: O-RING, SHUTOFF DISC & E CLIP)	7018123	7018123	7018124	7018125	7018414	7018414
NS	TEST COCK, .50 FPT X FPT WITH NIPPLE	7018394	7018394	7018394	N/A	N/A	N/A
NS	TEST COCK, .75 FPT X FPT WITH NIPPLE	N/A	N/A	N/A	7018395	7018395	7018395
NS	"E" CLIP	7017870	7017870	7017821	7017821	7017974	7017974
NS	GROOVE COUPLER	7017994	7017995	7017996	7017997	7018070	7018070
NS	SLEEVE COUPLER ASSEMBLY	N/A	N/A	N/A	7018122	7018413	7018413
NS	AIR GAP DRAIN	7018367	7018367	7018367	7018367	7018367	7018367
NS	SPLASH GUARD	7018368	7018368	7018368	7018368	7018368	7018368
NS	O-RING, #3 TEST COCK	7017897	7017897	7017897	7017897	7017897	7017897
NS	STAINLESS STEEL CHECK RETAINER	7018408	7018408	7018409	7018410	7018411	7018411

Relief Valve Replacement Parts



ITEM NO.	PART DESCRIPTION	ORDERING CODE
1	RELIEF VALVE ASSEMBLY	7018107
2	DIAPHRAGM	7017809
3	SPRING	7017810
4	SPIDER BUSHING	7017811
5	PISTON ASSEMBLY	7018227
6	BODY	7017817
7	HOSE & COVER PLATE ASSEMBLY	7018228
8	SCREW, COVER	7017822
9	O-RING, INLET COUPLER	7017826
NS	SENSING ELBOW	03263004
NS	HOSE	0298120

American Backflow Specialties

www.americanbackflow.com

(800) 66-BKFLO

(619) 527-2525

Fax: (619) 527-2527