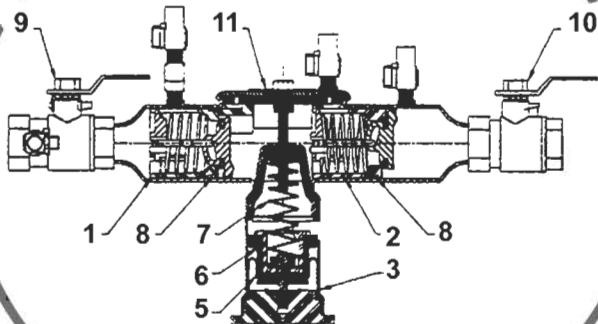


Model 4000SS Sizes 3/4" to 2"

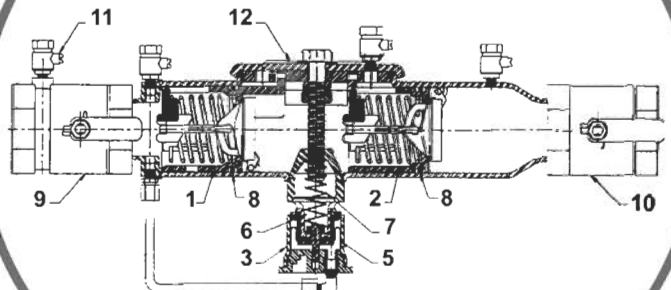
Repair Parts

3/4" to 1-1/2"



3/4" - 1 1/2" Body Configuration

DESCRIPTION	QTY.	PART #
1. 1st Cartridge Check Assy.	1	A00006-04081
2. 2nd Cartridge Check Assy.	1	A00006-04082
3. Relief Valve Assembly	1	A00006-04042
4. Rubber Kit (Lid O-Ring, Cartridge Check O-Rings, Washer, Lid Bolt, Relief Valve O-Ring, Lubricant not shown)	1	A00006-04098
5. Relief Valve Diaphragm	1	A00006-03540
6. Relief Valve Piston Assembly	1	A00006-03581
7. Relief Valve Spring	1	A00006-03573
8. Cartridge Check O-Ring	1	A00006-04014
9. Shut-Off Ball Assembly - Inlet 2	1	A00006-03108
10. Shut-Off Ball Assembly- Outlet 2	1	A00006-03107
11. Test Cock	4	A00006-03117
12. Lid Assembly (Lid, Lid Insert, Lid O-Ring, Nut, Bolt, Washer, Lubricant not shown)	1	A00006-04085



2" Body Configuration

2"

DESCRIPTION	QTY.	PART #	
1. 1st Cartridge Check Assy.	1	A00006-03502	
2. 2nd Cartridge Check Assy.	1	A00006-03501	
3. Relief Valve Assembly 3/4 - 1 1/4	1	A00006-04041	
Relief Valve Assembly 1 1/2	1	A00006-04042	
4. Rubber Kit (Lid O-Ring, Cartridge Check O-Rings, Washer, Lid Bolt, Relief Valve O-Ring, Lubricant not shown)	1	A00006-03511	
5. Relief Valve Diaphragm	1	A00006-03540	
6. Relief Valve Piston Assembly	1	A00006-03581	
7. Relief Valve Spring	1	A00006-03573	
8. Cartridge Check O-Ring	1	A00006-03025	
9. Shut-Off Ball Assembly Inlet-	3/4"	1	A00006-03112
	1"	1	A00006-03114
	1 1/4"	1	A00006-03116
	1 1/2"	1	A00006-03109
10. Shut-Off Ball Assembly Outlet-	3/4"	1	A00006-03111
	1"	1	A00006-03113
	1 1/4"	1	A00006-03115
	1 1/2"	1	A00006-03110
11. Test Cock	4	A00006-03117	
12. Lid Assembly (Lid, Lid Insert, Lid O-Ring, Nut, Bolt, Washer, Lubricant not shown)	1	A00006-03504	