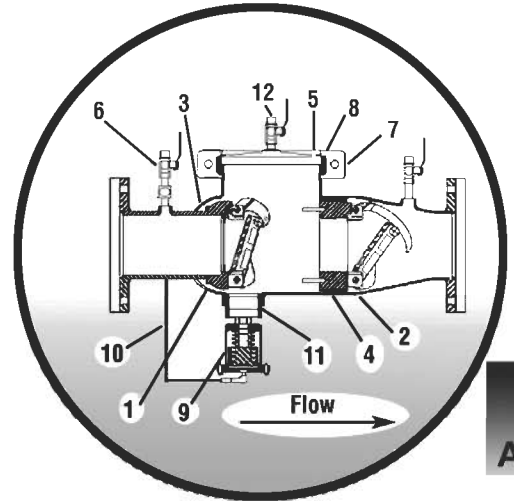


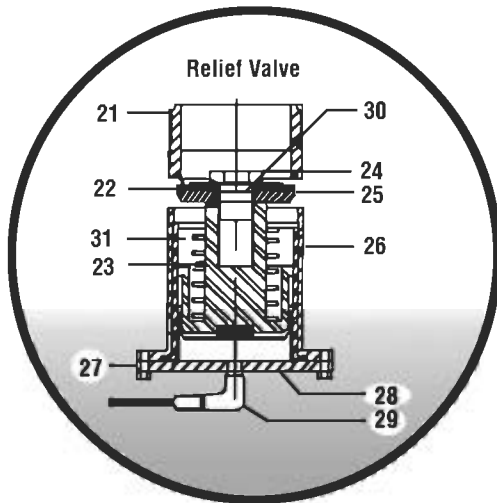
REPAIR PARTS for 4000SS & 5000SS MODELS

Model 4000SS/5000SS - 2 1/2" to 6" Parts

Item #	Description	Qty	2 1/2"	3"	4"	6"SS
1.	#1 Cam-Check	1	7015561	7015561	7015561	7015566
2.	#2 Cam-Check	1	7015560	7015560	7015560	7015565
3.	#1 Cam-Check O-ring	1	7015333	7015333	7015333	7013280
4.	#2 Cam-Check O-ring	1	7013229	7013229	7013229	7013281
5.	Cover Plate	1	7013241	7013241	7013241	7013289
6.	Ball Valve	2	7014668	7014668	7014668	7014668
7.	Groove Coupler	1	7013194	7013194	7013194	7013287
8.	Groove Coupler Gasket	1	7013248	7013248	7013248	7013308
9.	Relief Valve (Complete assembly)	1	7013354	7013354	7013354	7013354
10.	Relief Valve Hose	1	7013343	7013343	7013343	7013343
11.	Relief Valve Body O-ring	1	A400084	A400084	A400084	A400084
12.	Ball Valve (Cover)	1	A603134	A603134	A603134	7013034



5
Ames



Relief Valve - 2 1/2" to 10" Models

Item #	Part Description	Qty	
21.	Relief Valve Body	1	7013337
22.	Rubber Shut-Off Disc.	1	7013330
23.	Piston Diaphragm Assembly	1	7013352
24.	Hex Head Bolt	1	7013326
25.	Disc Retainer	1	7013328
26.	Sleeve	1	7013340
27.	Bottom Bolt	1	7012545
28.	Bottom Flange (w/St. Elbow)	1	7013339
29.	Elbow St 90 3/8	1	A403609
30.	O-Ring Disk	2	7013327
31.	RV Spring	1	7013368
31.	RV Spring (8" & 10" models)	1	7013360

Model 4000SS - 8" & 10" Parts

Item #	Part Description	Qty	8"	10"
1.	#1 Cam-Check	1	7015570	7015570
2.	#2 Cam-Check	1	7015569	7015569
3.	#1 Cam-Check O-ring	1	7011610	7011610
4.	#2 Cam-Check O-ring	1	7011610	7011610
5.	Cover Plate	1	7013495	7013495
6.	Ball Valve	3	A000449	A000449
7.	Groove Coupler	1	A605530	A605530
8.	Groove Coupler Gasket (not shown)	1	7014806	7014806
9.	Relief Valve (complete assembly)	1	7013354	7013354
10.	Relief Valve Hose	1	7013522	7013522
11.	Relief Valve Body O-ring	1	A400084	A400084
12.	Washer, Shutoff	1	7013499	7013499

