

# Model 766

## Characteristics and Materials

Maximum working pressure: 150 psi  
 Hydrostatic test pressure: 300 psi  
 Temperature range: 32°F to 140°F  
 Fluid: Water  
 End detail: Threaded ANSI B2.1  
 Main valve body: Bronze  
 Elastomers: Silicone

## Repair Kits

### Rubber Kit

Size:	1/2	3/4	1
Part No.:	905-360	905-360	905-361
Kit Includes:			
Item	Description	Qty.	
2.1	O-Ring	1	
3.1	O-Ring	1	
10.1	O-Ring	1	

### Poppet Kit

Size:	1/2	3/4	1
Part No.:	905-362	905-362	905-363
Kit Includes:			
Item	Description	Qty.	
2.1	O-Ring	1	
10	Poppet	1	
10.1	O-Ring	1	

### Seat Kit

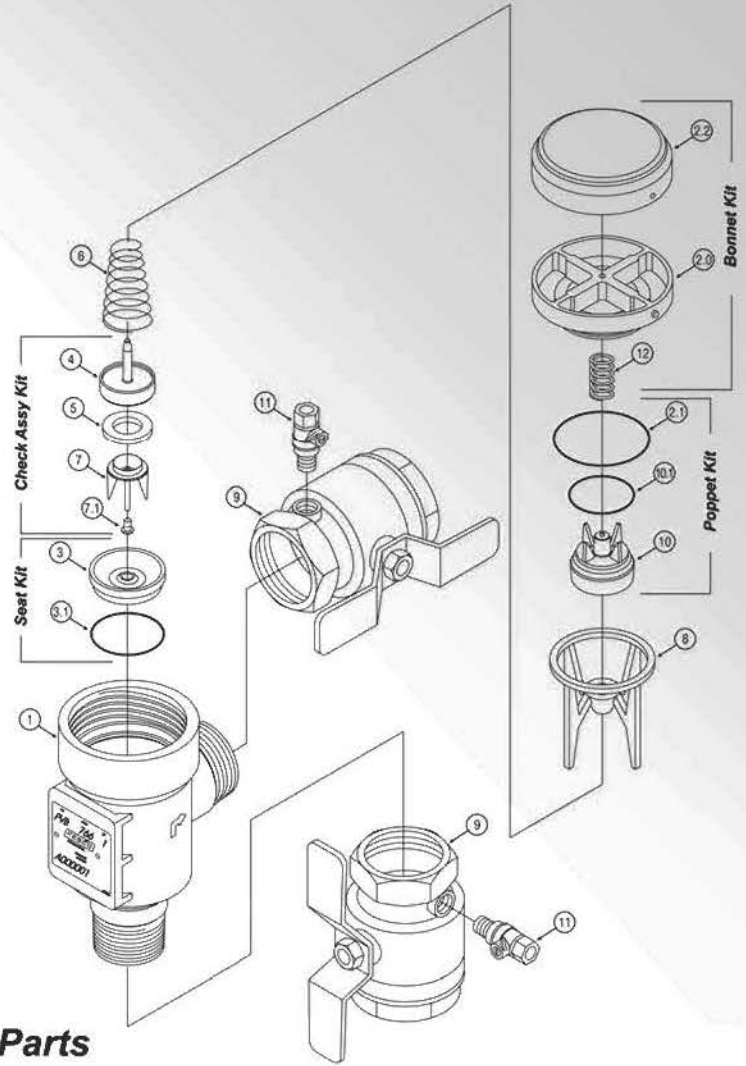
Size:	1/2	3/4	1
Part No.:	905-364	905-364	905-365
Kit Includes:			
Item	Description	Qty.	
3	Seat Ring	1	
3.1	O-Ring	1	

### Check Assembly Kit

Size:	1/2	3/4	1
Part No.:	905-366	905-366	905-367
Kit Includes:			
Item	Description	Qty.	
4	Disc Holder	1	
5	Seat Disc	1	
7	Guide	1	
7.1	Pan HD Screw	1	

### Bonnet Kit

Size:	1/2	3/4	1
Part No.:	905-368	905-368	905-369
Kit Includes:			
Item	Description	Qty.	
2	Bonnet	1	
2.1	O-Ring	1	
2.2	Canopy	1	
12	Air-Inlet Spring	1	



## Parts

Item	Description	Qty.	1/2	3/4	1
1	Body	1	110120	110121	110122
2	Bonnet	1	500402	500402	500403
2.1	Bonnet O-Ring	1	39602770	39602770	39613370
2.2	Canopy	1	500400	500400	500401
3	Seat Ring	1	500408	500408	500409
3.1	Check O-Ring	1	39602570	39602570	39613070
4	Disc Holder	1	500406	500406	500407
5	Seat Disc	1	410139	410139	410140
6	Check Spring	1	630160	630160	630179
7	Guide	1	500410	500410	500411
7.1	Pan HD Screw	1	700158	700158	700159
8	Retainer	1	500404	500404	500405
9	Ball Valve Tapped	2	781244	781053	781054
10	Poppet	1	500412	500412	500413
10.1	Poppet O-Ring	1	39602170	39602170	39612470
11	Testcock	2	781074	781074	781074
12	Air-Inlet Spring	1	630161	630161	630180

Some of the above items are only sold as part of a repair kit.