

INDIVIDUAL PARTS - MODEL 575 - 1-1/4" to 2"

RELIEF VALVE COMPLETE			5754-CU
NO.	DESCRIPTION	QTY.	1 1/4", 1 1/2", 2"
1	TUBE (UPSTREAM)	1	5754-36A
2	TUBE FITTING	2	5752A-38
3	SEAL SCREW	2	552-11A
4	BOLT	6	5752-11
5	SPRING	1	5754A-33
6	SPRING RETAINER	1	5754A-80
7	STEM NUT	2	5752-9
8	O-RING	1	108N
9	WASHER, UPPER DIAPHRAGM	1	5752-80A
10	DIAPHRAGM	1	5754-43
11	WASHER, LOWER DIAPHRAGM	1	5754-80
12	TUBE	1	5754-36
13	O-RING, UPPER STEM	1	010N
14	QUAD-RING, LOWER STEM	1	4128N
15	STEM ASSEMBLY MOD III	1	5754-50
16	O-RING, SEAT	1	136N
17	SEAT	1	5754-18
18	SCREW	3	5752-11A
19	SEAL RING	1	5754-12
20	SEAL RETAINER	1	5754-34B
21	SPACER	1	5752-14A

MODEL 575 - 3/4" to 2" Kits & Parts

REPAIR KITS - MODEL 575 - 1-1/4" to 2"

RELIEF VALVE REPAIR KIT			Model 575 1 1/4", 1 1/2", 2" Only
PART NO.	QTY.	DESCRIPTION	
5754A-33	1	SPRING, RELIEF VALVE	
5754-43	1	DIAPHRAGM	
010N	2	O-RING, UPPER STEM	
4128N	1	QUAD-RING, LOWER STEM	
136N	1	O-RING, SEAT	
5754-12	1	SEAL RING, SEAT	
8387-601	1	WASHER MOD I	
028N	1	O-RING, MOD I	
108N	1	O-RING	
012N	1	O-RING	
5752-11A	3	SCREWS	

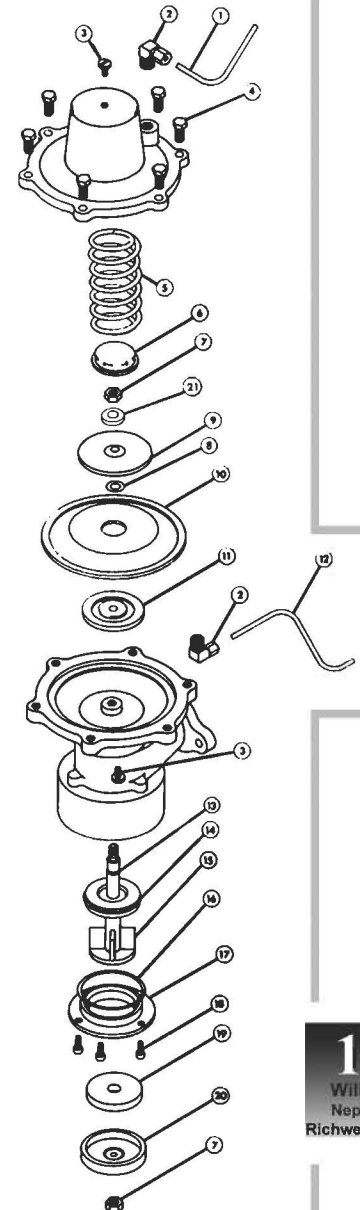
REPAIR KITS - MODEL 575 - 3/4" & 1"

RELIEF VALVE REPAIR KIT			Model 575 3/4" & 1" Only
PART NO.	QTY.	DESCRIPTION	
5752A-33	1	SPRING, RELIEF VALVE	
5752-43	1	DIAPHRAGM	
011N	1	O-RING, UPPER STEM	
116N	1	O-RING, LOWER STEM	
024N	1	O-RING, SEAT	
5752-12	1	SEAL RING, SEAT	
5752-18	1	SEAT	
010N	3	O-RING	
5752-11A	3	SCREW	
5752-13	1	GASKET	

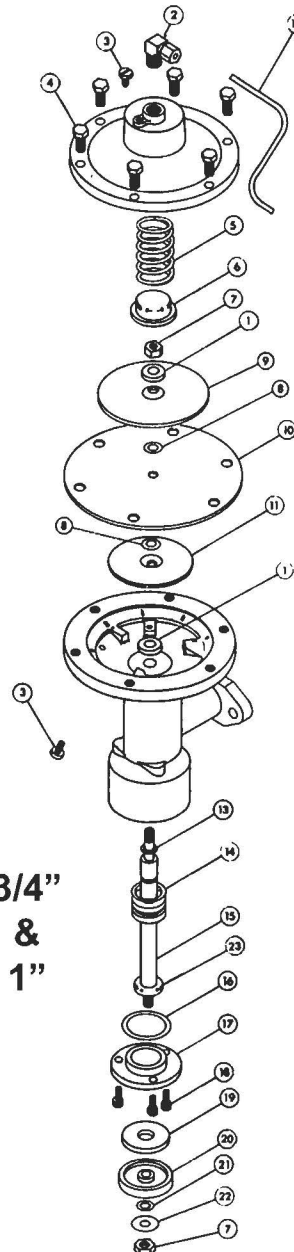
INDIVIDUAL PARTS - MODEL 575 - 3/4" & 1"

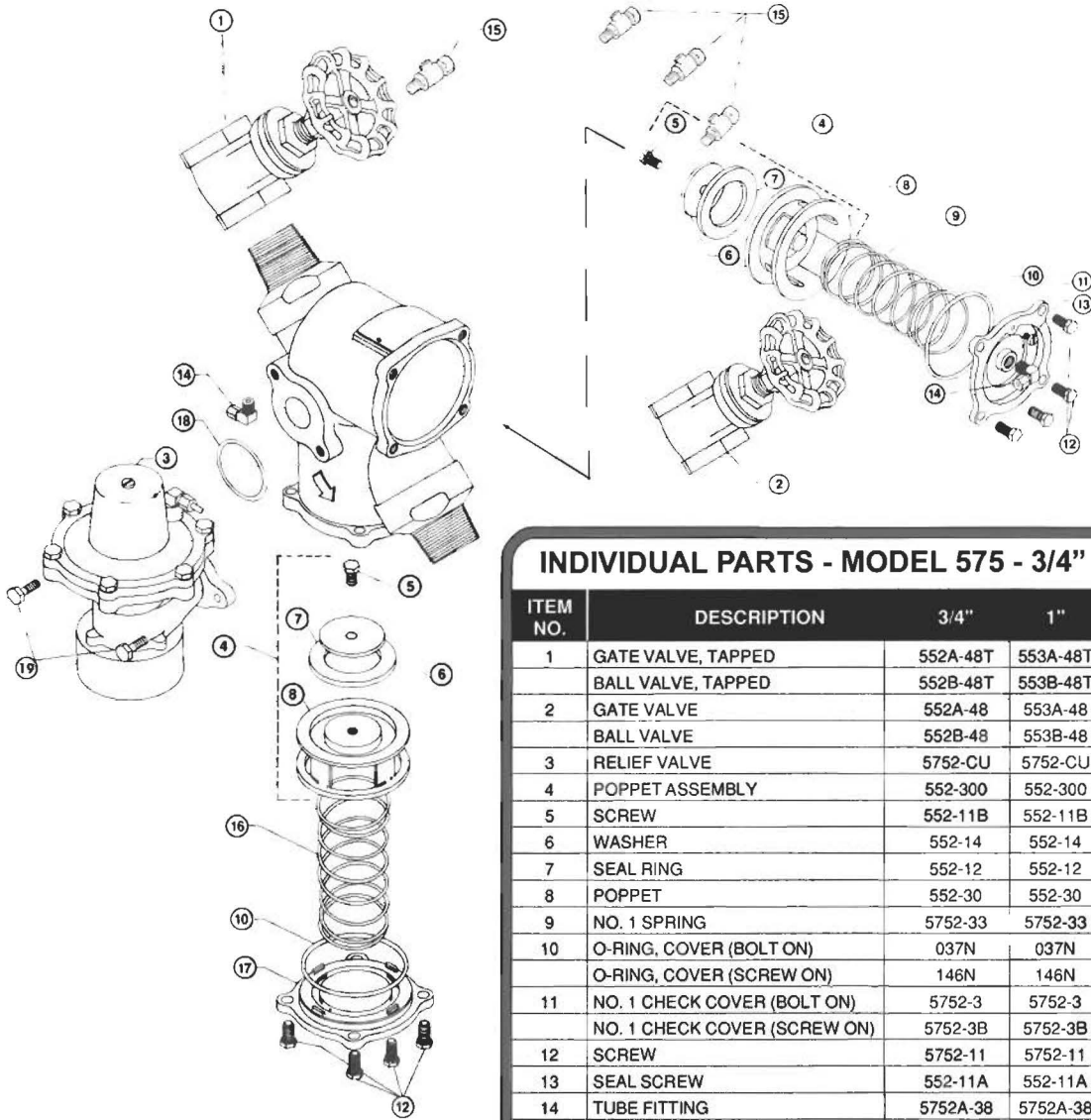
RELIEF VALVE COMPLETE			5752-CU
NO.	DESCRIPTION	QTY.	3/4" & 1"
1	SPACER	2	5752-14A
2	TUBE FITTING	1	5752A-38
3	SEAL SCREW	2	552-11A
4	BOLT	6	5752-11
5	SPRING	1	5752A-33
6	SPRING RETAINER	1	5752A-80
7	NUT, STEM	2	5752-9
8	O-RING	2	010N
9	WASHER, UPPER DIAPHRAGM	1	5752-80
10	DIAPHRAGM	1	5752-43
11	WASHER, LOWER DIAPHRAGM	1	5752-80A
12	TUBE	1	5752-36
13	O-RING, UPPER STEM	1	011N
14	O-RING, LOWER STEM	1	116N
15	STEM ASSY.	1	5752-50
16	O-RING, SEAT	1	024N
17	SEAT	1	5752-18
18	SCREW	3	5752-11A
19	SEAL RING	1	5752-12
20	SEAL RETAINER	1	5752-34
21	O-RING, SEAL RETAINER	1	010N
22	WASHER	1	62-14
23	WASHER	1	5752-14

1-1/4" & 2"



3/4" & 1"





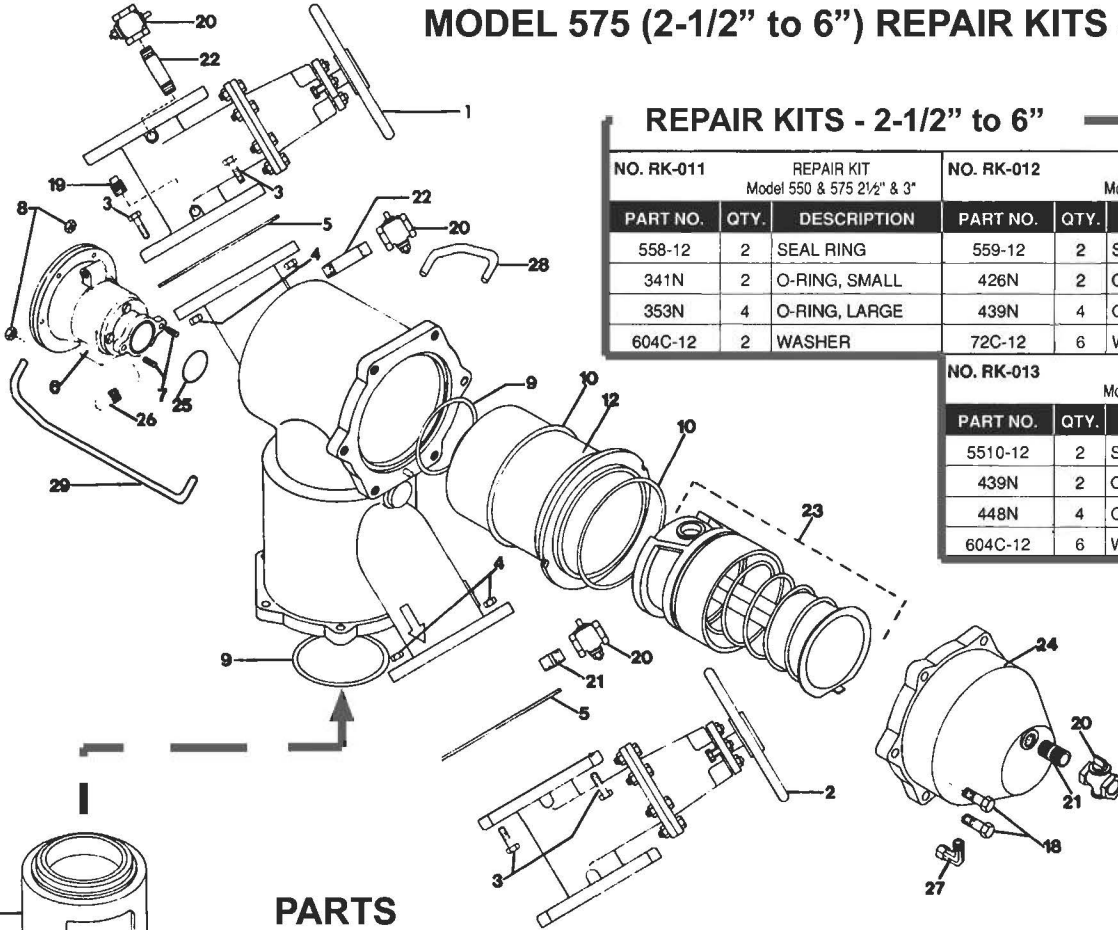
INDIVIDUAL PARTS - MODEL 575 - 3/4" to 2"

ITEM NO.	DESCRIPTION	3/4"	1"	1 1/4"	1 1/2"	2"
1	GATE VALVE, TAPPED	552A-48T	553A-48T	554A-48T	555A-48T	556A-48T
	BALL VALVE, TAPPED	552B-48T	553B-48T	554B-48T	555B-48T	556B-48T
2	GATE VALVE	552A-48	553A-48	554A-48	555A-48	556A-48
	BALL VALVE	552B-48	553B-48	554B-48	555B-48	556B-48
3	RELIEF VALVE	5752-CU	5752-CU	5754-CU	5754-CU	5754-CU
4	POPPET ASSEMBLY	552-300	552-300	554-300	554-300	554-300
5	SCREW	552-11B	552-11B	554-11	554-11	554-11
6	WASHER	552-14	552-14	554-14	554-14	554-14
7	SEAL RING	552-12	552-12	554-12	554-12	554-12
8	POPPET	552-30	552-30	554-30	554-30	554-30
9	NO. 1 SPRING	5752-33	5752-33	5754-33	5754-33	5754-33
10	O-RING, COVER (BOLT ON)	037N	037N	152N	152N	152N
	O-RING, COVER (SCREW ON)	146N	146N	N/A	N/A	N/A
11	NO. 1 CHECK COVER (BOLT ON)	5752-3	5752-3	5754-3T	5754-3T	5754-3T
	NO. 1 CHECK COVER (SCREW ON)	5752-3B	5752-3B	N/A	N/A	N/A
12	SCREW	5752-11	5752-11	554-11A	554-11A	554-11A
13	SEAL SCREW	552-11A	552-11A	552-11A	552-11A	552-11A
14	TUBE FITTING	5752A-38	5752A-38	5752A-38	5752A-38	5752A-38
15	TEST COCK	552-48R	552-48R	554-48R	554-48R	554-48R
16	NO. 2 SPRING	552-33	552-33	554-33	554-33	554-33
17	NO. 2 CHECK COVER (BOLT ON)	552-3	552-3	554-3	554-3	554-3
	NO. 2 CHECK COVER (SCREW ON)	552-3B	552-3B	N/A	N/A	N/A
18	GASKET/O-RING	5752-13	5752-13	031N	031N	031N
19	SCREW	5752-11	5752-11	5754-11A	5754-11A	5754-11A

REPAIR KITS - MODEL 575 - 3/4" to 2"

NO. RK-003 REPAIR KIT COMPLETE Model 575 3/4" & 1" Only			NO. RK-014 REPAIR KIT COMPLETE Model 575 1-1/4", 1-1/2", 2" Only		
PART NO.	QTY.	DESCRIPTION	PART NO.	QTY.	DESCRIPTION
552-12	2	SEAL RING, POPPET	554-12	2	SEAL RING, POPPET
5752-12	1	SEAL RING, RELIEF VALVE	5754-12	1	SEAL RING, RELIEF VALVE
5752-43	1	DIAPHRAGM	5754-43	1	DIAPHRAGM
5752-13	1	GASKET	031N	1	O-RING
011N	1	O-RING, UPPER STEM	010N	1	O-RING, UPPER STEM
037N	2	O-RING, COVER (BOLT ON)	152N	2	O-RING, COVER
116N	1	O-RING, LOWER STEM	4128N	2	QUAD RING, LOWER STEM
024N	1	O-RING SEAT	136N	1	O-RING SEAT
552-33	1	#2 SPRING	554-33	1	#2 SPRING
5752A-33	1	SPRING, RELIEF VALVE	5754A-33	1	SPRING, RELIEF VALVE
5752-33	1	#1 SPRING	5754-33	1	#1 SPRING
010N	3	O-RING	028N	1	O-RING, MOD I
146N	2	O-RING, COVER (SCREW ON)	108N	1	O-RING
5752-11A	3	SCREW	012N	1	O-RING
			8387-601	1	WASHER
			5722-11A	3	SCREW
NO. RK-007 RUBBER REPAIR KIT Model 550 & 575 3/4" & 1" Only			NO. RK-008 RUBBER REPAIR KIT Model 550 & 575 1-1/4", 1-1/2" 2"		
PART NO.	QTY.	DESCRIPTION	PART NO.	QTY.	DESCRIPTION
552-12	2	SEAL RING, POPPET	554-12	2	SEAL RING, POPPET
037N	2	O-RING, COVER (BOLT ON)	152N	2	O-RING, COVER
146N	2	O-RING, COVER (SCREW ON)			

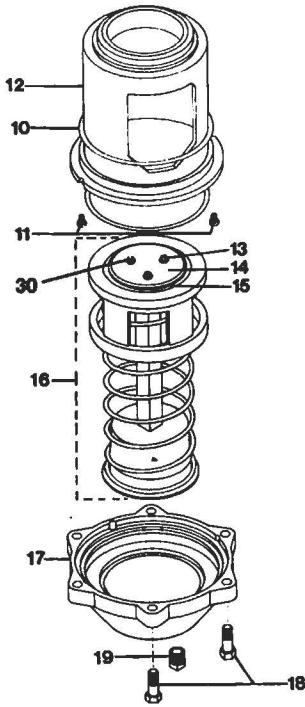
MODEL 575 (2-1/2" to 6") REPAIR KITS & PARTS



REPAIR KITS - 2-1/2" to 6"

NO. RK-011 REPAIR KIT Model 550 & 575 2 1/2" & 3"			NO. RK-012 REPAIR KIT Model 550 & 575 4"		
PART NO.	QTY.	DESCRIPTION	PART NO.	QTY.	DESCRIPTION
558-12	2	SEAL RING	559-12	2	SEAL RING
341N	2	O-RING, SMALL	426N	2	O-RING, SMALL
353N	4	O-RING, LARGE	439N	4	O-RING, LARGE
604C-12	2	WASHER	72C-12	6	WASHER

NO. RK-013 REPAIR KIT Model 550 & 575 6"		
PART NO.	QTY.	DESCRIPTION
5510-12	2	SEAL RING
439N	2	O-RING, SMALL
448N	4	O-RING, LARGE
604C-12	6	WASHER



PARTS

ITEM NO.	DESCRIPTION	QTY.	2 1/2"	QTY.	3"	QTY.	4"	QTY.	6"
1	GATE VALVE, TAPPED RESILIENT SEAT	1	557A-48TR	1	558A-48TR	1	559A-48TR	1	5510A-48TR
	GATE VALVE OS&Y, TAPPED RESILIENT SEAT	1	557A-48TR OS&Y	1	558A-48TR OS&Y	1	559A-48TR OS&Y	1	5510A-48TR OS&Y
2	GATE VALVE RESILIENT SEAT	1	557A-48R	1	558A-48R	1	559A-48R	1	5510A-48R
	GATE VALVE, OS&Y RESILIENT SEAT	1	557A-48R OS&Y	1	558A-48R OS&Y	1	559A-48R OS&Y	1	5510A-48R OS&Y
3	BOLT	8	558-11D	8	558-11D	16	559-11	16	5510-11
4	NUT	8	558-9	8	558-9	16	558-9	16	5510-9
5	GASKET	2	557-13	2	558-13	2	559-13	2	5510-13
6	RELIEF VALVE	1	5758-CU	1	5758-CU	1	5758-CU	1	5758-CU
7	STUD	2	558-11B	2	558-11B	2	558-11B	2	558-11B
8	NUT	2	5758-9	2	5758-9	2	5758-9	2	5758-9
9	O-RING, SMALL	2	341N	2	341N	2	426N	2	439N
10	O-RING, LARGE	4	353N	4	353N	4	439N	4	448N
11	SCREW	2	558-11A	2	558-11A	2	558-11A	2	724-11A
12	SLEEVE	2	558-2	2	558-2	2	559-2	2	5510-2
13	SCREW (POPPET)	2	558-11	2	558-11	6	559-11B	6	552-11B
14	RETAINING PLATE	2	558-14	2	558-14	2	559-14	2	5510-14
15	SEAL RING	2	558-12	2	558-12	2	559-12	2	5510-12
16	#2 POPPET ASSY.	1	Note	1	Note	1	559-300	1	5510-300
17	#2 COVER	1	558-3	1	558-3	1	559-3	2	5510-3A
18	BOLT, COVER	8	559-11C	8	559-11C	12	559-11A	16	5510-11A
19	PIPE PLUG	2	558-7	2	558-7	2	558-7	2	5510-7
20	TEST COCK	4	721B-48	4	721B-48	4	721B-48	4	552B-48
21	NIPPLE, SHORT	2	101-21B	2	101-21B	2	101-21B	2	102-21B
22	NIPPLE, LONG	2	558-21B	2	558-21B	2	558-21B	2	5510-21B
23	#1 POPPET ASSY.	1	5758-300	1	5758-300	1	5759-300	1	57510-300
24	#1 COVER	1	5758-3	1	5758-3	1	5759-3	1	57510-3
25	O-RING	1	031N	1	031N	1	031N	1	031N
26	PITOT TUBE ASSY.	1	5758-360	1	5758-360	1	5759-360	1	57510-360
27	FITTING	1	5758A-38A	1	5758A-38A	1	5758A-38A	1	5758A-38A
28	TUBE 1	1	5758-36A	1	5758-36A	1	5759-36A	1	57510-36A
29	TUBE 2	1	5758-36B	1	5758-36B	1	5759-36B	1	57510-36B
30	WASHER	2	604C-12	2	604C-12	6	72C-12	6	604C-12

Note: SPRING #558-33, POPPET #558-300

MODEL 575 (2-1/2" to 6") RELIEF VALVE ASSEMBLY

INDIVIDUAL PARTS

RELIEF VALVE COMPLETE			5758-CU
ITEM NO.	DESCRIPTION	QTY.	2 1/2" - 6"
1	FITTING	1	5758A-38A
2	SCREW	9	5752-11
3	BLEED SCREW	2	552-11A
4	COVER	1	5758-3A
5	HEX NUT	1	5758-9
6	WASHER	1	5758-14
7	LARGE DIAPHRAGM	1	5758-43
8	SPRING RETAINER	1	5758A-80A
9	SPRING	1	5758A-33
10	PAN HEAD SCREW	6	5758-11
11	GUIDE	1	5758-31A
12	LARGE O-RING	1	048N
13	RETAINER	1	5758-80
14	SMALL DIAPHRAGM	1	5758-43A
15	BODY	1	5758-1A
16	SMALL O-RING	1	011N
17	PISTON	1	5758-35
18	SEAL RING	1	5758-12
19	SEAT GUIDE	1	5758-31
20	HEX HEAD SCREW	1	5754-11
21	SEAT FLANGE	1	5758-18
22	FITTING	1	5758A-36
23	O-RING	1	031N

REPAIR KITS

NO. RK-010 RELIEF VALVE REPAIR KIT
Model 575 Relief Valve 2 1/2" to 6"

PART NO.	QTY.	DESCRIPTION
5758-43	1	LARGE DIAPHRAGM
048N	1	LARGE O-RING
5758-43A	1	SMALL DIAPHRAGM
011N	1	SMALL O-RING
5758-12	1	SEAL RING
031N	1	FLANGE O-RING

