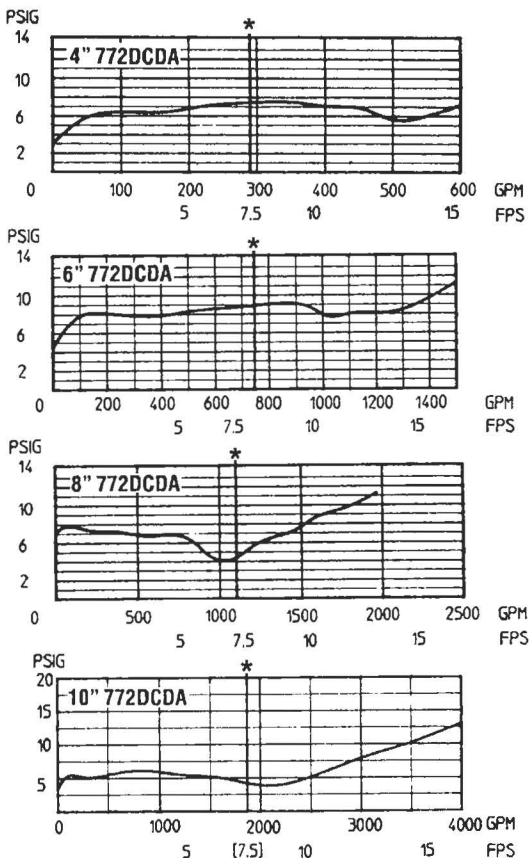
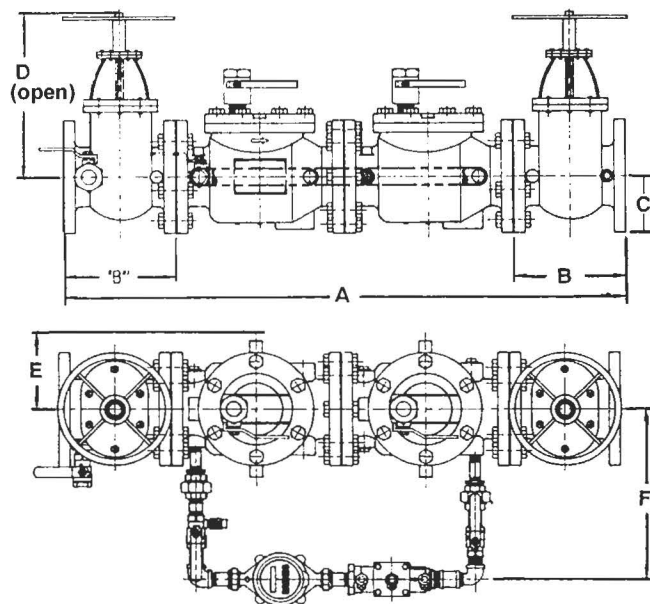


## FLOW CURVES: Model 772 DCDA



\* Typical max flow rate (7.5 fps).

## DIMENSIONS & WEIGHTS



Size	Type	Dimensions (In.)						(lbs.)
		A	B	C	D	E	F	
4"	772DCDA OS&YRW	44 <sup>7</sup> / <sub>16</sub>	8	4 <sup>1</sup> / <sub>2</sub>	23 <sup>5</sup> / <sub>16</sub>	5 <sup>1</sup> / <sub>16</sub>	15	355
6"	772DCDA OS&YRW	57 <sup>1</sup> / <sub>4</sub>	10	5 <sup>1</sup> / <sub>2</sub>	23 <sup>5</sup> / <sub>16</sub>	7 <sup>3</sup> / <sub>8</sub>	17	614
8"	772DCDA OS&YRW	59 <sup>1</sup> / <sub>4</sub>	11	6 <sup>3</sup> / <sub>4</sub>	29 <sup>7</sup> / <sub>16</sub>	7 <sup>3</sup> / <sub>8</sub>	18 <sup>5</sup> / <sub>8</sub>	770
10"	772DCDA OS&YRW	72 <sup>13</sup> / <sub>16</sub>	12 <sup>1</sup> / <sub>4</sub>	8	39 <sup>7</sup> / <sub>16</sub>	8 <sup>1</sup> / <sub>16</sub>	18 <sup>3</sup> / <sub>8</sub>	1351

## REPAIR PARTS & KITS: 772 & 772DCDA

No.	Kit No.	Sizes
<b>Check Rubber Parts</b>		
887065	RK 772/772 DCDA RC4	4"
887066	RK 772/772 DCDA RC4	6" - 8"
887067	RK 772/772 DCDA RC4	10"
Kits consist of: Cover o-ring, bolt o-ring, disc - for one check		
<b>1st or 2nd check kits</b>		
887050	RK 772 CK4	4"
887051	RK 772 CK4	6" - 8"
887052	RK 772 CK4	10"
887056	RK 772DCDA CK1	4"
887057	RK 772DCDA CK1	6" - 8"
887058	RK 772DCDA CK1	10"
887059	RK 772DCDA CK2	4"
887060	RK 772DCDA CK2	6" - 8"
887061	RK 772DCDA CK2	10"
Kits consist of: Spring assembly and cover o-ring		
<b>Complete Repair Kits</b>		
887053	RK 772 T	4"
887054	RK 772 T	6" - 8"
887055	RK 772 T	10"
887062	RK 772 DCDA T	4"
887063	RK 772 DCDA T	6" - 8"
887064	RK 772 DCDA T	10"
Kits consist of: 2 cover o-rings, 2 discs, 2 spring assembly, 2 bolt o-ring - for both checks		
<b>Seat Kits</b>		
887097	RK 772 S	4"
887098	RK 772 S	6" - 8"
887099	RK 772 S	10"
887100	RK 772DCDA S	4"
887101	RK 772DCDA S	6" - 8"
887102	RK 772DCDA S	10"

Kits consist of: Seat, seat o-ring - for one check

