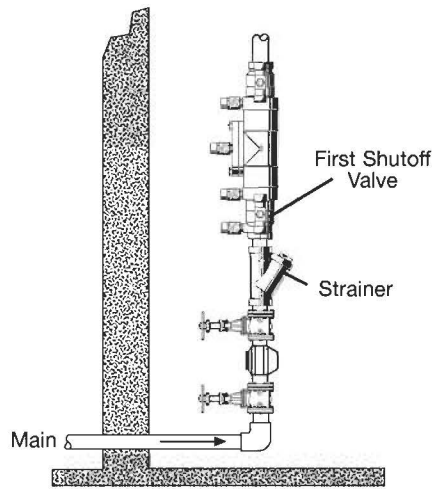
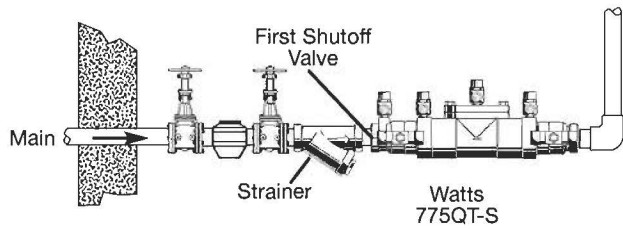


Model 775 (1/2" to 2")

Installation Views



Watts 775QT-S Vertical Flow-up or Vertical Flow-down installation (Flow-up shown)

1/2" - 2" Replacement Parts

When ordering, specify ordering code number, kit number and valve size

ORDERING CODE	KIT NO.	SIZE
---------------	---------	------

Complete Rubber Parts

0888568	RK 775 RT	1/2" - 3/4"
0888569	RK 775 RT	1"
0888570	RK 775 RT	1 1/4" - 1 1/2"
0888571	RK 775 RT	2"

Kit includes: Cover O-ring, Two discs assemblies and two seat O-rings.

1st Check Kits

0888560	RK 775 CK1	1/2" - 3/4"
0888561	RK 775 CK1	1"
0888562	RK 775 CK1	1 1/4" - 1 1/2"
0888563	RK 775 CK1	2"

Kit includes: First check assembly and Cover O-ring.

2nd Check Kit

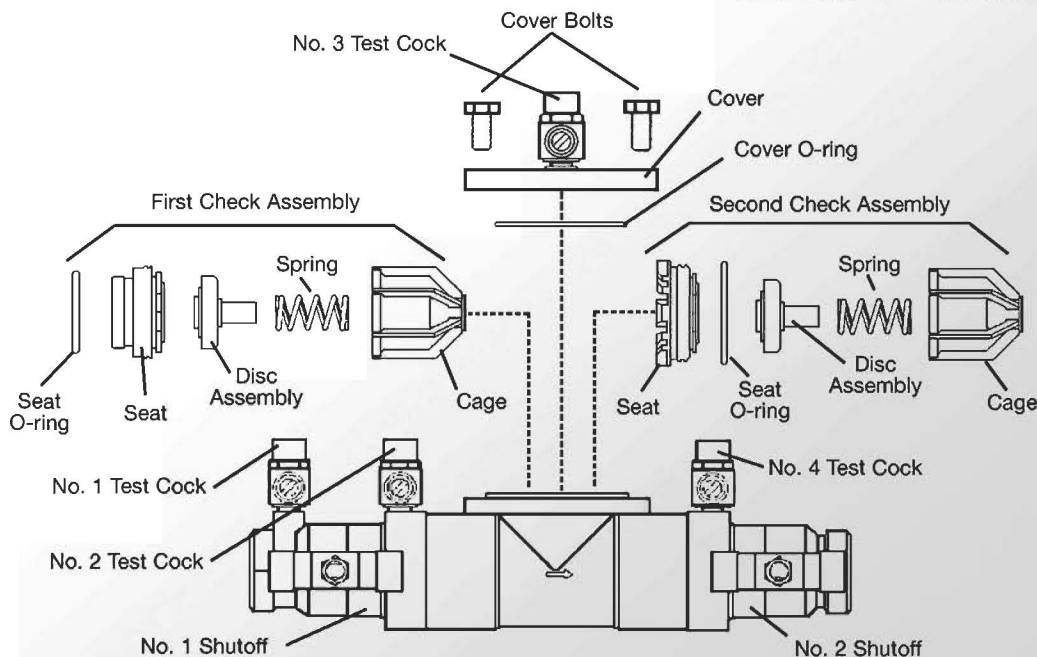
0888564	RK 775 CK2	1/2" - 3/4"
0888565	RK 775 CK2	1"
0888566	RK 775 CK2	1 1/4" - 1 1/2"
0888567	RK 775 CK2	2"

Kit includes: Second check assembly and Cover O-ring.

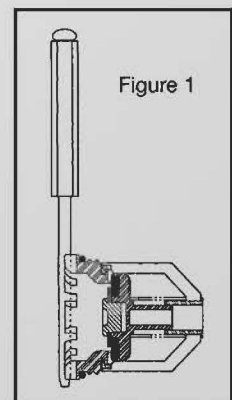
Cover Kit

0888572	RK 775 C	1/2" - 3/4"
0888573	RK 775 C	1"
0888574	RK 775 C	1 1/4" - 1 1/2"
0888575	RK 775 C	2"

Kit includes: Cover and Cover O-ring.



2nd Check Removal



American Backflow Specialties

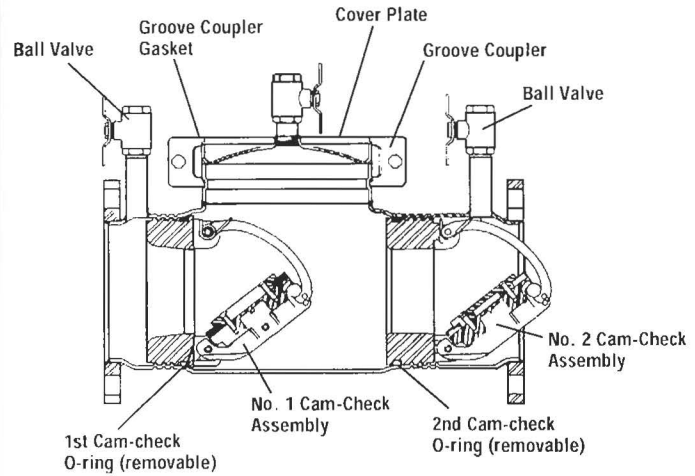
www.americanbackflow.com

(800) 66-BKFLO

(619) 527-2525

Fax: (619) 527-2527

Model 775 (3" to 8")



Replacement Parts

First Check Kit

EDP No.	Kit No.	Size	For use with /Model #'s
0888900	RK 775/775DCDA CK 1	3" - 4"	3" - 4" 775/775DCDA/N775/N775DCDA
0888901	RK 775/775DCDA CK 1	6" - 8"	6" - 8" 775/775DCDA/N775/N775DCDA

Kits include: Complete No. 1 Check Assembly with Check O-ring.

Second Check Kit

0888902	RK 775/775DCDA CK 2	3" - 4"	3" - 4" 775/775DCDA/N775/N775DCDA
0888903	RK 775/775DCDA CK 2	6" - 8"	6" - 8" 775/775DCDA/N775/N775DCDA

Kits include: Complete No. 2 Check Assembly with Check O-ring.

Cover Kit

0888904	RK 775/775DCDA C	3" - 4"	3" - 4" 775/775DCDA/N775/N775DCDA
0888905	RK 775/775DCDA C	6" - 8"	6" - 8" 775/775DCDA/N775/N775DCDA

Kit includes: Cover, Grooved Coupler & Gasket.

First Check Rubber Parts Kit

0888906	RK 775/775DCDA RC1	3" - 4"	3" - 4" 775/775DCDA/N775/N775DCDA
0888907	RK 775/775DCDA RC1	6" - 8"	6" - 8" 775/775DCDA/N775/N775DCDA

Kit includes: First Check Assembly O-ring and Check Disc

Second Check Rubber Parts Kit

0888908	RK 775/775DCDA RC2	3" - 4"	3" - 4" 775/775DCDA/N775/N775DCDA
0888909	RK 775/775DCDA RC2	6" - 8"	6" - 8" 775/775DCDA/N775/N775DCDA

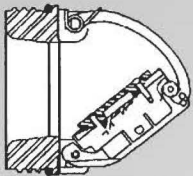
Kit includes: Second Check Assembly O-ring and Check Disc

Rubber Total Parts Kit

0888910	RK 775/775DCDA RT	3" - 4"	3" - 4" 775/775DCDA/N775/N775DCDA
0888911	RK 775/775DCDA RT	6" - 8"	6" - 8" 775/775DCDA/N775/N775DCDA

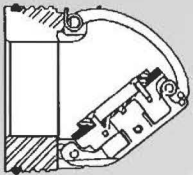
Kit includes: First and Second Check Assembly O-ring, and First and Second Check Disc

Figure 4

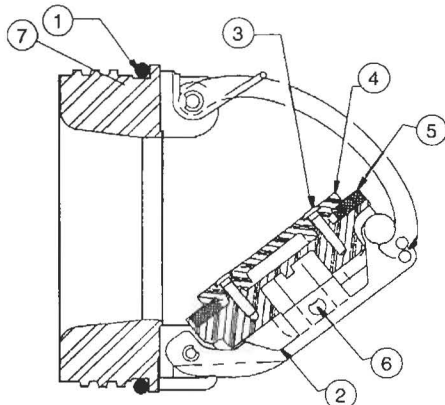


No. 1 Check Assembly

Figure 5



No. 2 Check Assembly



Check Parts

Item No.	Part Description
1.	First Check O-ring (removable)
2.	Clapper Assembly (removable)
3.	Clapper Retaining Plate Screws (removable)
4.	Clapper Retainer Plate (removable)
5.	Clapper Disc (removable)
6.	Pivot Arm Pin (removable) Two c-clips
7.	Second Check O-ring (removable)