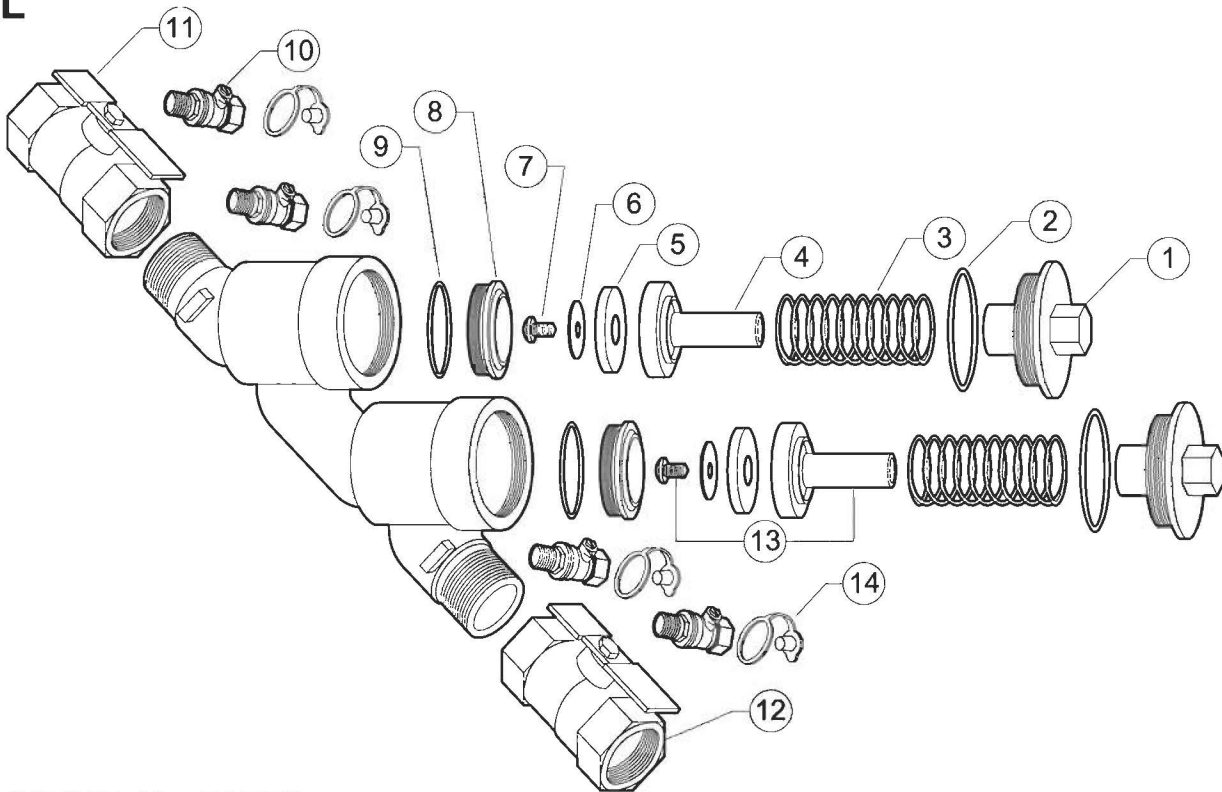


**M
O
D
E
L

9
5
0
X
L**

REPAIR KITS

NO. RK34-950XL			REPAIR KIT COMPLETE Model 950XL 3/4" & 1" Only			NO. RK114-950XL			REPAIR KIT COMPLETE Model 950XL 1-1/4", 1-1/2", 2" Only		
PART NO.	QTY.	DESCRIPTION	PART NO.	QTY.	DESCRIPTION	PART NO.	QTY.	DESCRIPTION	PART NO.	QTY.	DESCRIPTION
952-12S	2	SEAL RING	954-12S	2	SEAL RING						
136N	2	O-RING, COVER	153N	2	O-RING, COVER						
952-33	2	CHECK SPRING	554-33	2	CHECK SPRING						
NO. RK34-950XLR			RUBBER REPAIR KIT Model 950XL 3/4" & 1" Only			NO. RK114-950XLR			RUBBER REPAIR KIT Model 950XL 1-1/4", 1-1/2", 2" Only		
PART NO.	QTY.	DESCRIPTION	PART NO.	QTY.	DESCRIPTION	PART NO.	QTY.	DESCRIPTION	PART NO.	QTY.	DESCRIPTION
952-12S	2	SEAL RING	954-12S	2	SEAL RING						
136N	2	O-RING, COVER	153N	2	O-RING, COVER						



INDIVIDUAL PARTS

ITEM NO.	DESCRIPTION	3/4"	1"	1-1/4"	1-1/2"	2"
1	CHECK COVER	952-3-010F	952-3-010F	954-3-010F	954-3-010F	954-3-010F
2	O-RING, COVER	136N	136N	153N	153N	153N
3	CHECK SPRING	952-33	952-33	554-33	554-33	554-33
4	POPPET	952-30	952-30	954-30	954-30	954-30
5	SEAL RING	952-12S	952-12S	954-12S	954-12S	954-12S
6	SEAL RING RETAINER	952-14	952-14	954-14	954-14	954-14
7	RETAINING BOLT	952-11	952-11	952-11	952-11	952-11
8	CHECK SEAT	952-18T	952-18T	954-18T	954-18T	954-18T
9	O-RING, CHECK SEAT	125N	125N	142N	142N	142N
10	TEST COCK	18-860	18-860	14-860	14-860	14-860
11	BALL VALVE, TAPPED	34-850T	1-850T	114-850T	112-850T	2-850T
12	BALL VALVE	34-850	1-850	114-850	112-850	2-850
13	POPPET ASSEMBLY	952-300S	952-300S	954-300S	954-300S	954-300S
14	TEST COCK CAP PLUG	861B-3P	861B-3P	861B-3P	861B-3P	861B-3P
	CHECK SEAT TOOL	972-SEATTOOL		974-SEATTOOL		