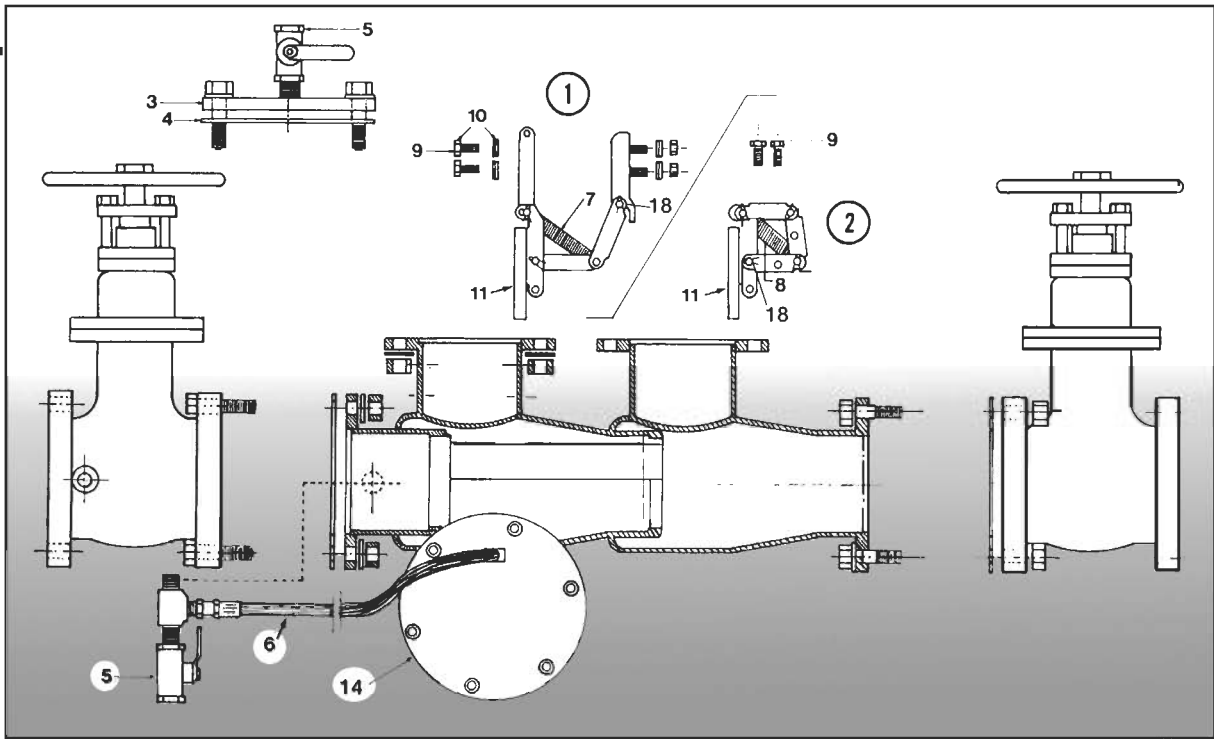
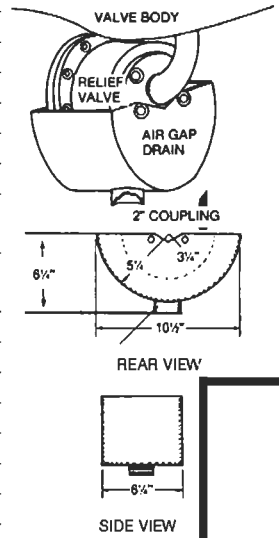


MODEL 4000 RP PARTS



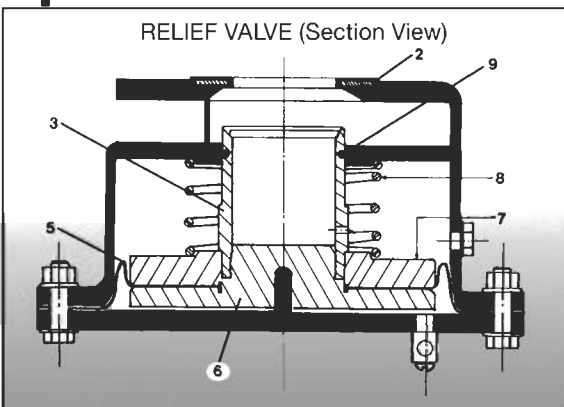
ITEM NO.	DESCRIPTION	QTY.	SIZE 4"	SIZE 6"	SIZE 8"	SIZE 10"
1	1st Knuckle Joint Assembly	1	7011208	7011415	7015553	7015553
2	2nd Knuckle Joint Assembly	1	7011441	7011220	7011257	7011257
3	Bonnet Flange and Cover	1	7011430	7011442	7011453	7011453
4	Bonnet Gasket	1	7011199	7011124	7011125	7011125
5	Ball Valve	4	7014668	A000449	A000449	A000449
6	Braided Hose	1	7014645	7014645	7014645	7014645
7	1st Assembly Springs (# of springs required)	7011320	7011319	7011319	7011319	7011319
8	2nd Assembly Springs (# of springs required)	7011322	7011128	7011323	7011323	7011323
9	3/8" Stainless Steel Housing Bolts	2	7014619	7014619	7014619	7014619
10	Washer (rubber faced)	2	7014585	7014585	7014585	7014585
11	Vulcanized Clapper Plate	1	7011418	7011419	7011420	7011420
12	Bronze Seat Ring (not shown)	1	7011160	7011162	7011163	7011163
13	Seat O-ring (not shown)	1	7011161	A300704	A300706	A300706
14	Relief Valve	1	7011283	7011283	7011283	7011283
15	Clapper Retainer Clip (not shown)	1	7013911	7013912	7013913	7013913
16	Tong Tool (all sizes) (not shown)	1	7016090	7016090	7016090	7016090
17	Seat Install and Removal Tool (not shown)	1	7013941	7013946	7013950	7013950
18	Linkage Retainer Clip	1	7011037	7011037	7011037	7011037

AIR GAP DRAIN INSTALLATION



NOTE: Same relief valve is used on all valve 4" through 10"

4000 RP & 5000 RPDA 4" to 10" RELIEF VALVE PARTS



ITEM NO.	DESCRIPTION	QTY.	PART #
1	Complete	1	7011283
2	Mounting Seat Gasket	1	7011295
3	Stainless Steel Seat Tube	1	7011290
4	Mounting Bolt (not shown)	4	7014619
5	Diaphragm	1	7011292
6	Diaphragm Top Plate	1	7011291
7	Diaphragm Bottom Plate	1	7011294
8	Spring	1	A300887
9	O-ring	1	7011233
10	Repair Kit (#2, #5, #9)	1	7013955