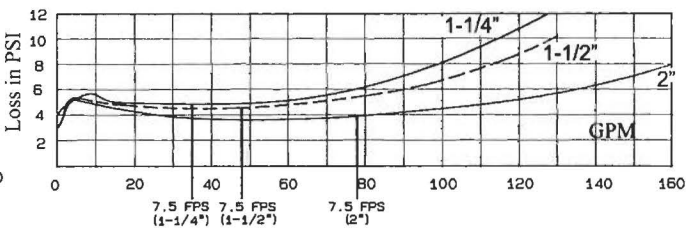
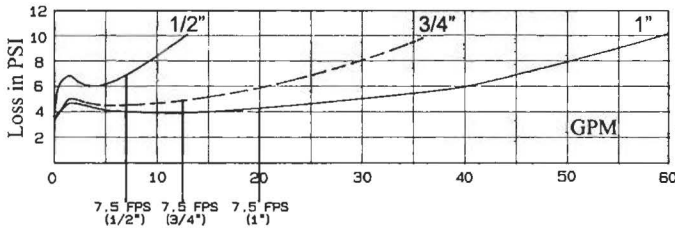


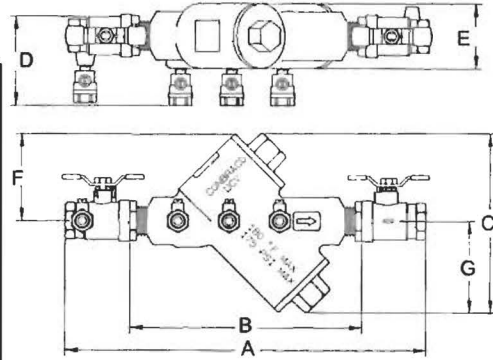
FLOW CURVES

40-100 Models 1/2" to 2"



DIMENSIONS & WEIGHTS

Body Size	1/2"	3/4"	1"	1-1/4"	1-1/2"	2"
A	9-3/16	12	12-3/4	16-3/4	18	18-5/8
B (w/o Ball Valves)	4-3/8	7	7	10-1/4	10-1/4	10-1/4
C	3-5/8	6-1/4	6-1/4	9	9	9
D	2-1/4	3-5/8	3-5/8	4-1/4	4-1/4	4-1/4
E	1-1/2	2-7/16	2-7/16	3-13/16	3-13/16	3-13/16
F	2-3/32	3-1/8	3-1/8	4-3/4	4-3/4	4-3/4
G	1-17/32	3-1/8	3-1/8	4-1/4	4-1/4	4-1/4
Test Cocks	1/8x1/4NPT	1/8x1/4NPT	1/8x1/4NPT	1/4x1/4NPT	1/4x1/4NPT	1/4x1/4NPT
Net Wt. (w/o Ball Valves)	2-1/4	5-1/2	6	17-1/2	15	15
Net Wt. (with Ball Valves)	3-3/4	8-1/2	9-1/2	23	24	27
Shipping Wt. (w/o Ball Valves)	2-1/2	6-1/2	7	19	16-1/2	17
Shipping Wt. (with Ball Valves)	4-1/4	9-1/2	10-1/2	24-1/2	25-1/2	29



REPAIR KITS

3/4" & 1" 1-1/4", 1-1/2", 2"

For repair kits without replaceable seat components, replace part number suffix designation "A" with "0". Example, Major Repair Kit part number 40-004-05.

Major Repair Kit

(4 (2), 5 (2), 6 (2), 7 (2), 8 (2), 10 (2), 11 (2)) 40-004-A5 40-007-A5

Check Valve Repair Kit

(4, 5, 6, 7, 8, 10, 11) 40-004-A2 40-007-A2

Rubber Repair Kit

(5 (2), 8 (2), 11 (2)) 40-004-A6 40-007-A6

Replaceable Seat Kit

(10 (2), 11 (2)) 40-004-A8 40-007-A8

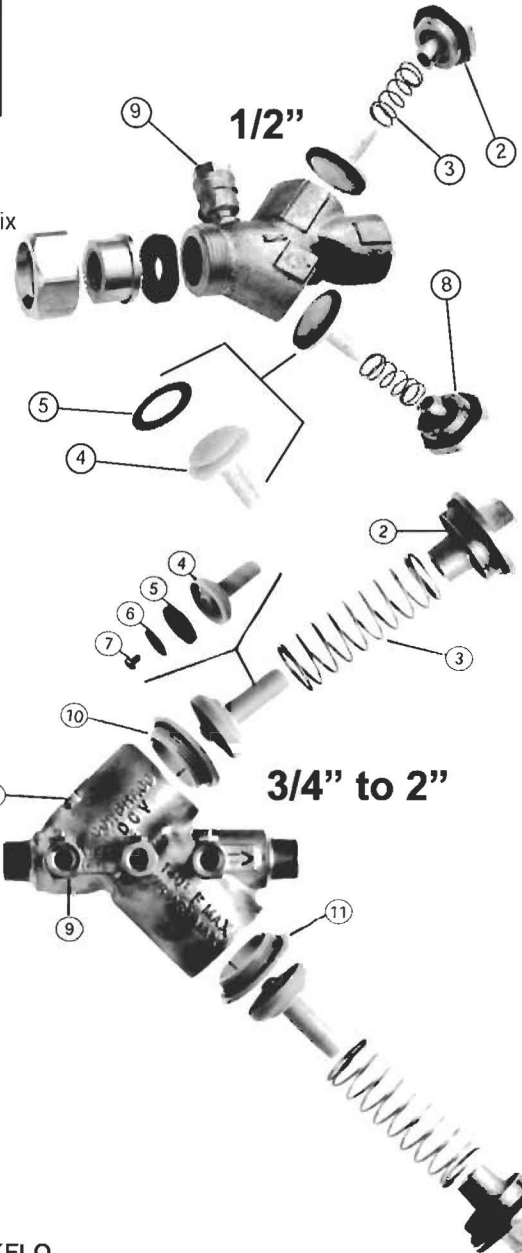
Major Repair Kit

(3 (2), 8 (2), part no. W-6759-06 (2)) 40-300-02

Rubber Repair Kit

(5 (2), 8 (2)) 40-300-01

1/2"



PARTS

ITEM NO.	DESCRIPTION	QUANT	1/2"	3/4" & 1"	1-1/4", 1-1/2", 2"
1	Body	1	Call	Call	Call
2	Cap	2	F-3009-06	F-2981	F-2984
3	Spring	2	A-1750-00	A-1700	A-1701
4	Poppet	2	K-3404-00	K-3362	K-3367
5	Seat Disc	2	D-2600-00	D-2503	D-2508
6	Seat Retainer	2	-	D-2499	D-2509
7	Screw	2	-	B-1750	B-1750
8	Cap O-Ring	2	D-2501-00	D-2500	D-2510
9	Test Cock	3	78-257-01	78-257-01	78-258-01
10	Check Seat	2	-	L-4864	L-4866
11	Check O-Ring	2	-	D-2274	D-2565

3/4" to 2"

American Backflow Specialties

www.americanbackflow.com

(800) 66-BKFLO

(619) 527-2525

Fax: (619) 527-2527