

REPAIR KITS & INFO

Series 990

EDP No.	Kit No.	Size
First Check Repair Kits:		
887315	RK 990 CK1	4"
887316	RK 990 CK1	6"
887317	RK 990 CK1	8"

Second Check Repair Kits:		
887318	RK 990 CK2	4"
887319	RK 990 CK2	6"
887320	RK 990 CK2	8"

Kit consists of: spring assembly and cover o-ring.

Check Rubber Parts:		
887321	RK 990 RC4	4"
887322	RK 990 RC4	6"
887323	RK 990 RC4	8"

Kit consists of: cover o-ring, two bolt o-rings and disc assembly for one check.

Seat Kits:		
887330	RK 990 S	4"
887331	RK 990 S	6"
887332	RK 990 S	8"

Kit consists of: seat and seat o-ring for one check.

Total Kits		
Complete Rubber Parts:		
887333	RK 990 RT	4"
887334	RK 990 RT	6"
887335	RK 990 RT	8"

Kit consists of: two cover o-rings, four bolt o-rings, two disc assemblies, one relief valve diaphragm, relief valve cover o-ring, piston o-ring, relief valve seat disc and seat o-ring.

Complete Repair Kits:		
887336	RK 990 T	4"
887337	RK 990 T	6"
887338	RK 990 T	8"

Kit consists of: two cover o-rings, four bolt o-rings, two disc assemblies, two spring assemblies, relief valve, stem assembly, seat o-ring and cover o-ring.

Series 990RPDA

EDP No.	Kit No.	Size
First Check Repair Kits:		
887340	RK 990RPDA CK1	4"
887341	RK 990RPDA CK1	6"
887342	RK 990RPDA CK1	8"

Second Check Repair Kits:		
887343	RK 990RPDA CK2	4"
887344	RK 990RPDA CK2	6"
887345	RK 990RPDA CK2	8"

Kit consists of: spring assembly and cover o-ring.

Check Rubber Parts:		
887346	RK 990RPDA RC4	4"
887347	RK 990RPDA RC4	6"
887348	RK 990RPDA RC4	8"

Kit consists of: cover o-ring, two bolt o-ring and disc assembly for one check.

Seat Kits:		
887352	RK 990RPDA S	4"
887353	RK 990RPDA S	6"
887354	RK 990RPDA S	8"

Kit consists of: seat and seat o-ring for one check.

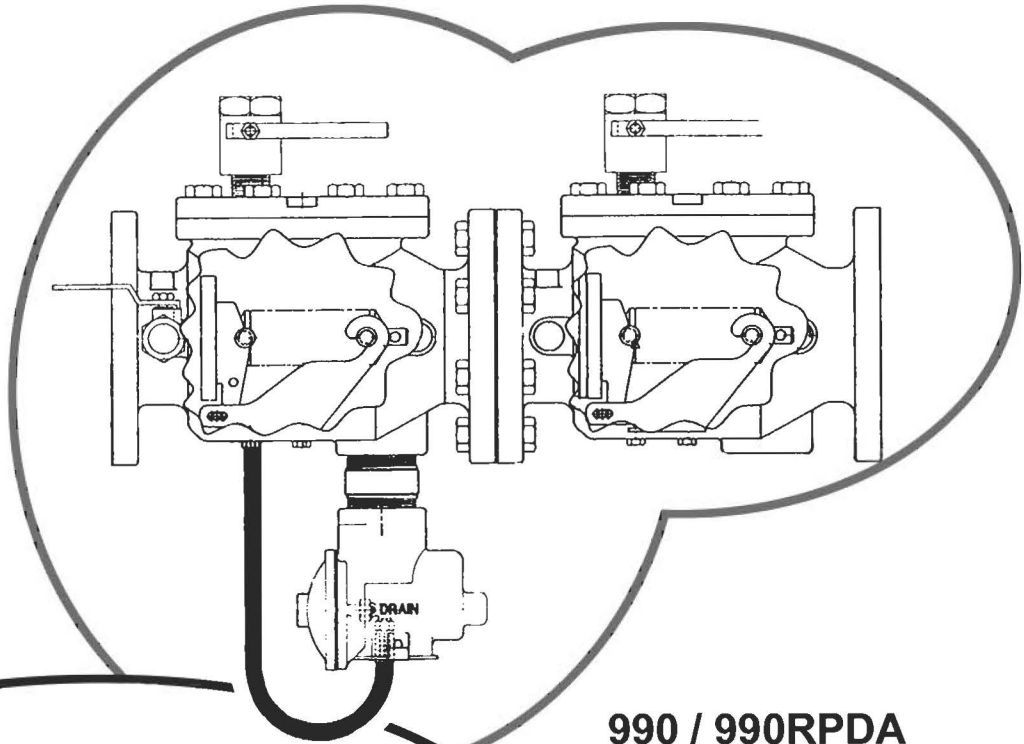
Total Kits		
Complete Rubber Parts:		
887361	RK 990RPDA RT	4"
887362	RK 990RPDA RT	6"
887363	RK 990RPDA RT	8"

Kit consists of: two cover o-rings, four bolt o-rings, two disc assemblies, one relief valve diaphragm, relief valve cover o-ring, piston o-ring, relief valve seat disc and seat o-ring.

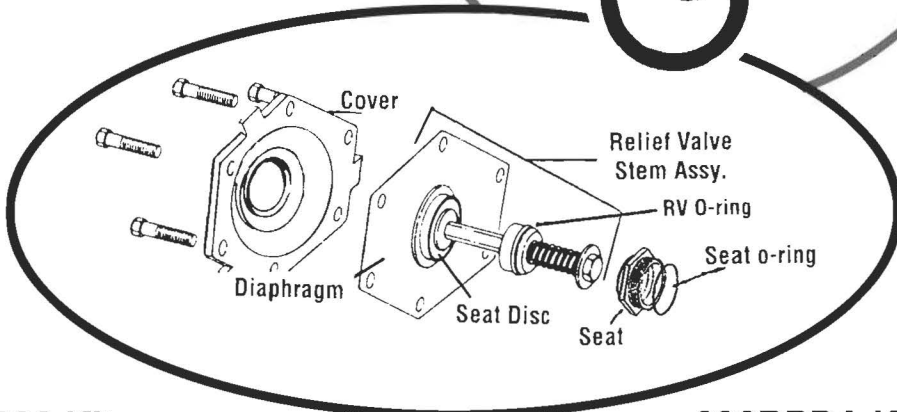
Complete Repair Kits:		
887349	RK 990RPDA T	4"
887350	RK 990RPDA T	6"
887351	RK 990RPDA T	8"

Kit consists of: two cover o-rings, four bolt o-rings, two disc assemblies, two spring assemblies, relief valve, stem assembly, seat o-ring and cover o-ring.

REPAIR KITS CONTINUED



**990 / 990RPDA
Relief Valve**



990 Kits

EDP No.	Kit No.	Size
Relief Valve Total:		
887327	RK 990 VT	4"
887328	RK 990 VT	6"
887329	RK 990 VT	8"
Kit consists of: relief valve stem assembly, seat o-ring.		
Relief Valve Rubber Parts:		
887324	RK 990 RV	4"
887325	RK 990 RV	6"
887326	RK 990 RV	8"
Kit consists of: relief valve diaphragm, piston o-rings, seat disc, seat o-ring.		

990RPDA Kits

EDP No.	Kit No.	Size
Relief Valve Total:		
887358	RK 990RPDA VT	4"
887359	RK 990RPDA VT	6"
887360	RK 990RPDA VT	10"
Kit consists of: relief valve stem assembly, seat o-ring.		
Relief Valve Rubber Parts:		
887361	RK 990RPDA RV	4"
887362	RK 990RPDA RV	6"
887363	RK 990RPDA RV	8"
Kit consists of: relief valve diaphragm, piston o-rings, seat disc, seat o-ring.		

American Backflow Specialties
www.americanbackflow.com

(800) 66-BKFLO

(619) 527-2525

Fax: (619) 527-2527